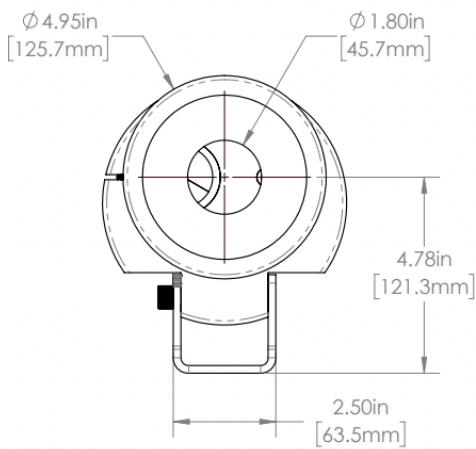
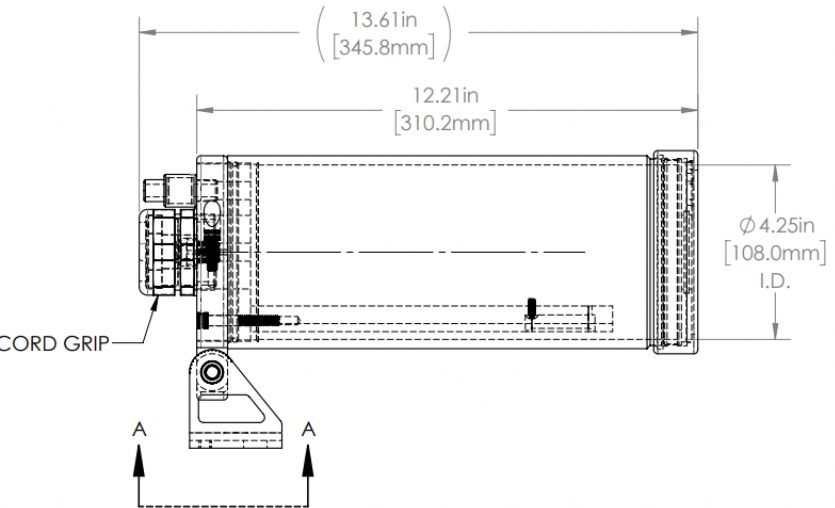
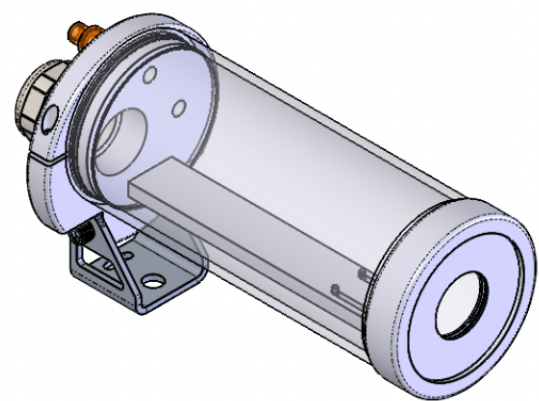
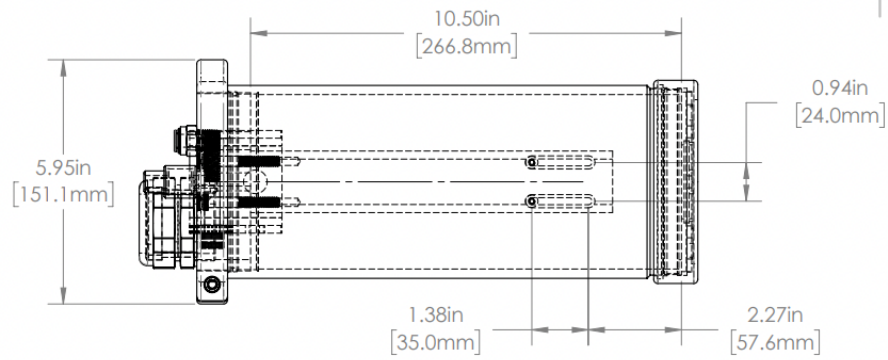
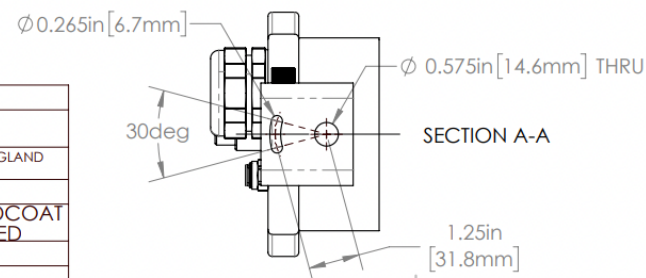


1 2 3 4 5 6

REVISIONS				
ZONE	REV.	DESCRIPTION	DATE	APPROVED
	A	RELEASED FOR PRODUCTION	11/18/2021	DMM



NOTE: ENCLOSURE COMPATIBLE WITH 50mm O.D., 3mm THICK WINDOW NOT SUPPLIED



77C SERIES PROPERTIES TABLE		
ENVIRONMENT RATING	IP64*	
	(*RATING MAY CHANGE IF INSTALLER MILLS CABLE GLAND OUTSIDE OF TOLERANCE)	
COMPONENT	MATERIAL	FINISH
BODY/BASE/BARREL	6061 ALUMINUM	CLEAR HARDCOAT ANODIZED
GASKET	VITON	NONE
ARM/ADAPTER	6061 ALUMINUM	NONE
HARDWARE	18-8 SS	NONE

TOLERANCES UNLESS OTHERWISE SPECIFIED		SHEET METAL	
MACHINING		HOLE TO HOLE (SAME SURFACE)	
X.X	0.0250"	X.X	0.030"
X.XX	0.0100"	X.XX	0.010"
X.XXX	0.0050"	X.XXX	0.005"
X.XXXX	0.0005"	X.XXX	0.005"
ANGULAR	0.005°	HOLE TO FOLDED EDGE	
DEBURR ALL	0.5°	X.X	0.035°
		X.XX	0.025°
		X.XXX	0.015°
		FOLD TO FOLD	
		X.X	0.045°
		X.XX	0.035°
		X.XXX	0.020°
		ANGULAR	1.0°

APG Vision LLC 4055 Alpha Drive Allison Park, PA 15101 USA Phone +1 (412) 487-8211 apgvision.com				
DESCRIPTION: 77C 11IN WITH AIR COOLING OPTION FOR GERMANIUM VIEWPORT				
MATERIAL: SEE PROPERTIES TABLE				
FINISH: SEE PROPERTIES TABLE				
DRAWN BY: DMM	DATE: 11/18/2021	SCALE: 1:3	SHT-SIZE: B	APPROX. WEIGHT (LBS): 7.9270
CHECKED BY: DMM	DATE: 11/18/2021	PART NUMBER: 47C-MB	REVISION: A	
				Sheet 1 of 1

1 2 3 4 5 6