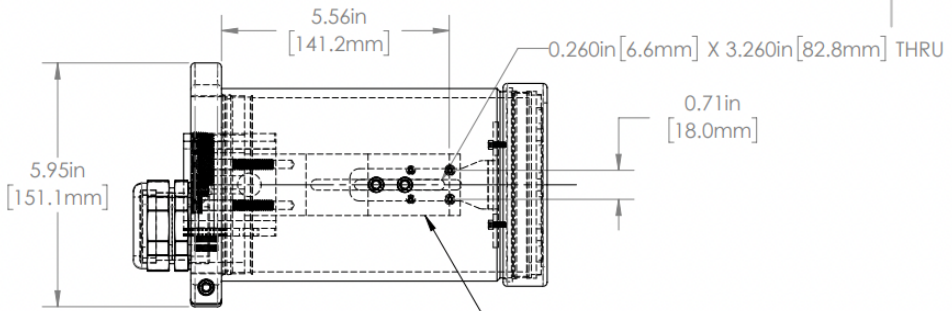


1 2 3 4 5 6

A

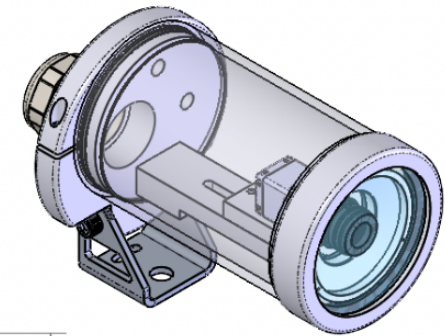
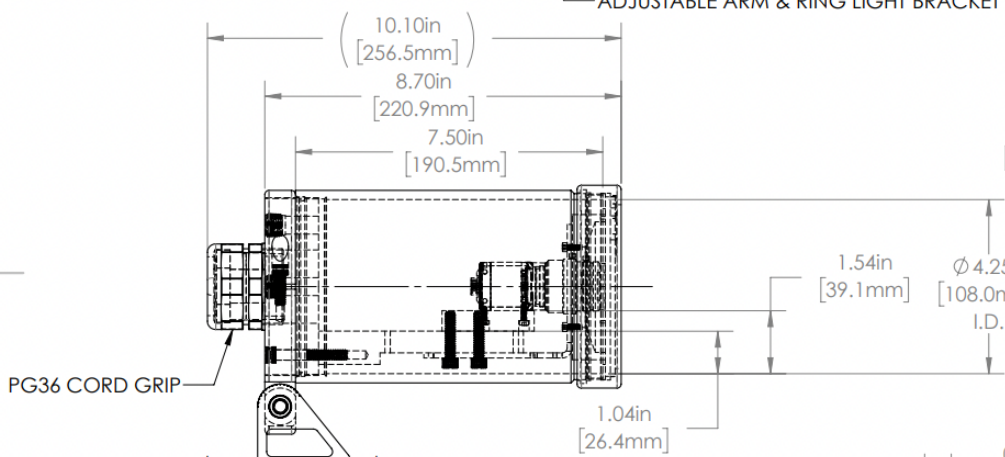
A



REVISIONS				
ZONE	REV.	DESCRIPTION	DATE	APPROVED
	A	RELEASED FOR PRODUCTION	1/5/2022	DMM

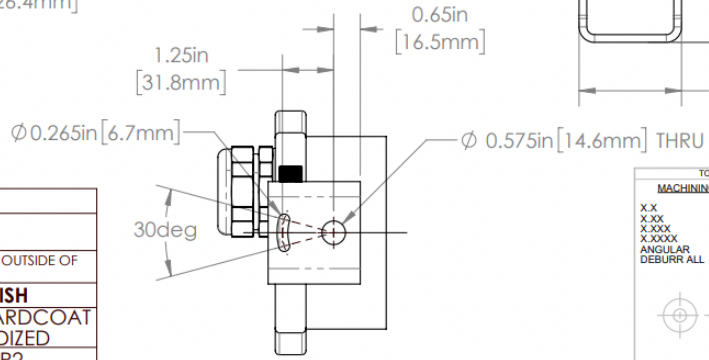
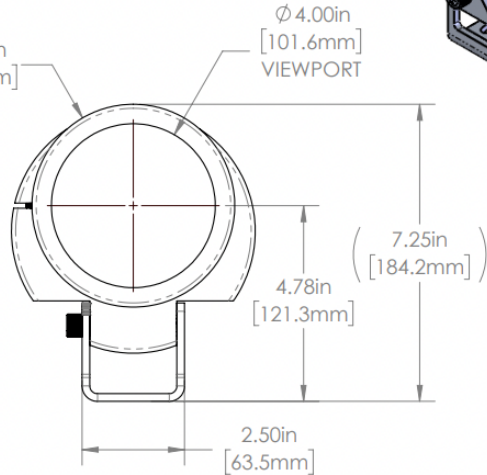
B

B



C

C



47C SERIES PROPERTIES TABLE		
ENVIRONMENT RATING	IP68*	
	(*RATING MAY CHANGE IF INSTALLER MILLS CABLE GLAND OUTSIDE OF TOLERANCE)	
COMPONENT	MATERIAL	FINISH
BODY/BASE/BARREL	6061 ALUMINUM	CLEAR HARDCOAT ANODIZED
VIEWPORT	ACRYLIC	ABR2
GASKET	VITON	NONE
ARM/ADAPTER	6061 ALUMINUM	NONE
HARDWARE	18-8 SS	NONE

TOLERANCES UNLESS OTHERWISE SPECIFIED		SHEET METAL	
MACHINING		HOLE TO HOLE (SAME SURFACE)	
X.X	0.0250"	X.X	0.030"
X.XX	0.0100"	X.XX	0.010"
X.XXX	0.0050"	X.XXX	0.005"
X.XXXX	0.0005"	X.XXX	0.005"
ANGULAR	0.5°	HOLE TO FOLDED EDGE	
DIEBURR ALL		X.X	0.035°
		X.XX	0.025°
		X.XXX	0.015°
		FOLD TO FOLD	
		X.X	0.045°
		X.XX	0.035°
		X.XXX	0.020°
		ANGULAR 1.0°	

APG Vision LLC
4055 Alpha Drive
Allison Park, PA 15101 USA
Phone +1 (412) 487-8211
apgvision.com



DESCRIPTION:
**47C 7.5IN BARREL WITH 5IN CENTER SLOT
ARM FOR KEYENCE CA-200M, CA-LH12 LENS,
& CA-DRW9 RING LIGHT BRACKET**

MATERIAL: SEE BOM

FINISH: SEE BOM

DRAWN BY: GAS DATE: 1/5/2022 SCALE: 1:3 SHT-SIZE: B APPROX. WEIGHT (LBS): 6.9374

CHECKED BY: DMM DATE: 1/5/2022 PART NUMBER: 47C-MC REVISION: A

Sheet 1 of 1

1 2 3 4 5 6

D

D