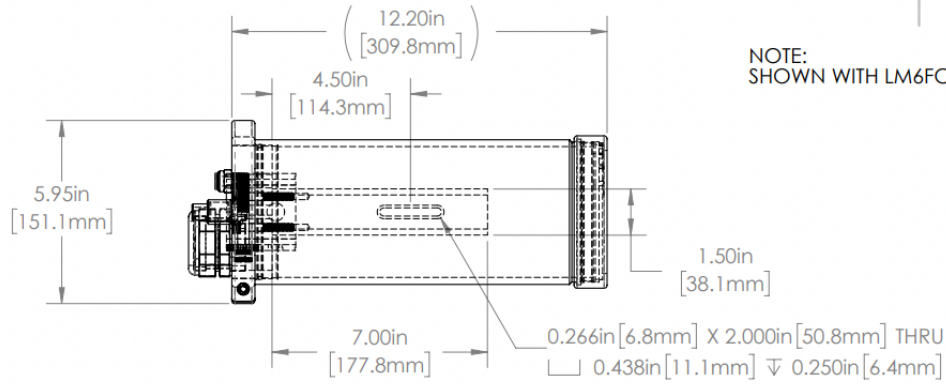


1 2 3 4 5 6

A

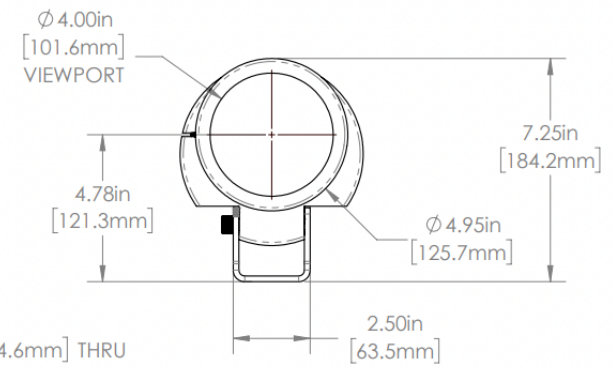
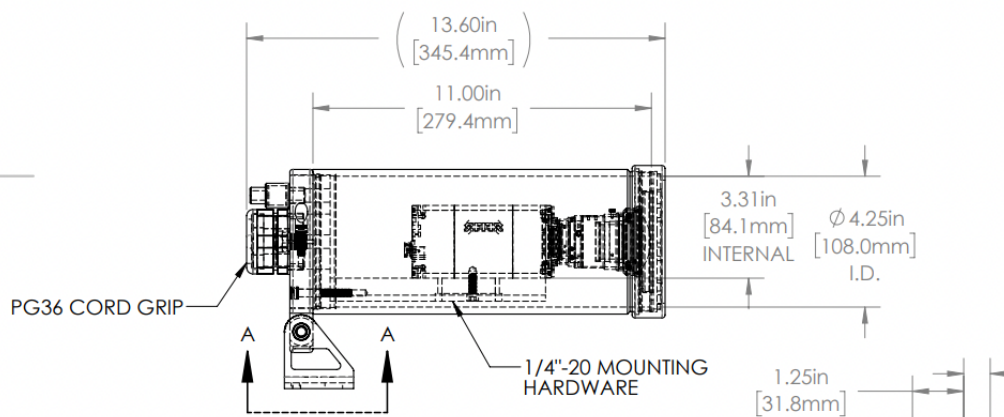
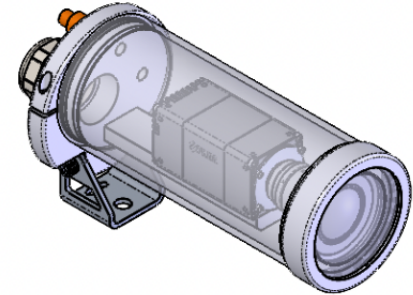
A



REVISIONS				
ZONE	REV.	DESCRIPTION	DATE	APPROVED
	A	PREVIOUSLY CALLED 21-137 RELEASED FOR PRODUCTION	1/14/2022	DMM

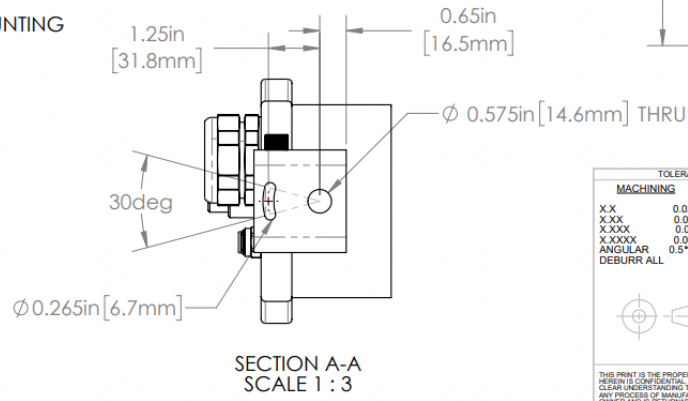
B

B



C

C



47C SERIES PROPERTIES TABLE		
ENVIRONMENT RATING	IP68*	
	(*RATING MAY CHANGE IF INSTALLER MILLS CABLE GLAND OUTSIDE OF TOLERANCE)	
COMPONENT	MATERIAL	FINISH
BODY/BASE/BARREL	6061 ALUMINUM	CLEAR HARDCOAT ANODIZED
ARM/ADAPTOR	6061 ALUMINUM	NONE
VIEWPORT	POLYCARBONATE	NONE
GASKET	VITON	NONE
PAN & TILT BRACKET	304 SS	BURNISHED
HARDWARE	316 SS - EXTERNAL, 18-8 SS - INTERNAL	NONE

MACHINING		SHEET METAL	
X.X	0.0250°	HOLE TO HOLE (SAME SURFACE)	X.X
X.XX	0.0100°		X.XX
X.XXX	0.0050°		X.XXX
X.XXXX	0.0005°		X.XXXX
ANGULAR	0.5°	HOLE TO FOLDED EDGE	X.X
DEBURR	ALL		X.XX
		FOLD TO FOLD	X.XX
			X.XX
			X.XXX
			ANGULAR 1.0°

APG Vision LLC
4055 Alpha Drive
Allison Park, PA 15101 USA
Phone +1 (412) 487-8211
apgvision.com

apgvision

DESCRIPTION:
47C SEALED 11IN ENCLOSURE FOR FLIR ORYX 245S8M & KOWA LENSES LM6FC24M/LM50FC24M

MATERIAL: SEE BOM

FINISH: SEE BOM

DRAWN BY:	DATE:	SCALE:	SHT-SIZE:	APPROX. WEIGHT (LBS):
DMM	1/14/2022	1:4	B	8.7655
CHECKED BY:	DATE:	PART NUMBER:		REVISION:
DMM	1/14/2022	47C-MD		A

AS PART OF OUR POLICY OF CONTINUING DEVELOPMENT, APG VISION LLC RESERVES THE RIGHT TO ALTER SPECIFICATIONS WITHOUT PRIOR NOTICE.

Sheet 1 of 1

D

D

1 2 3 4 5 6