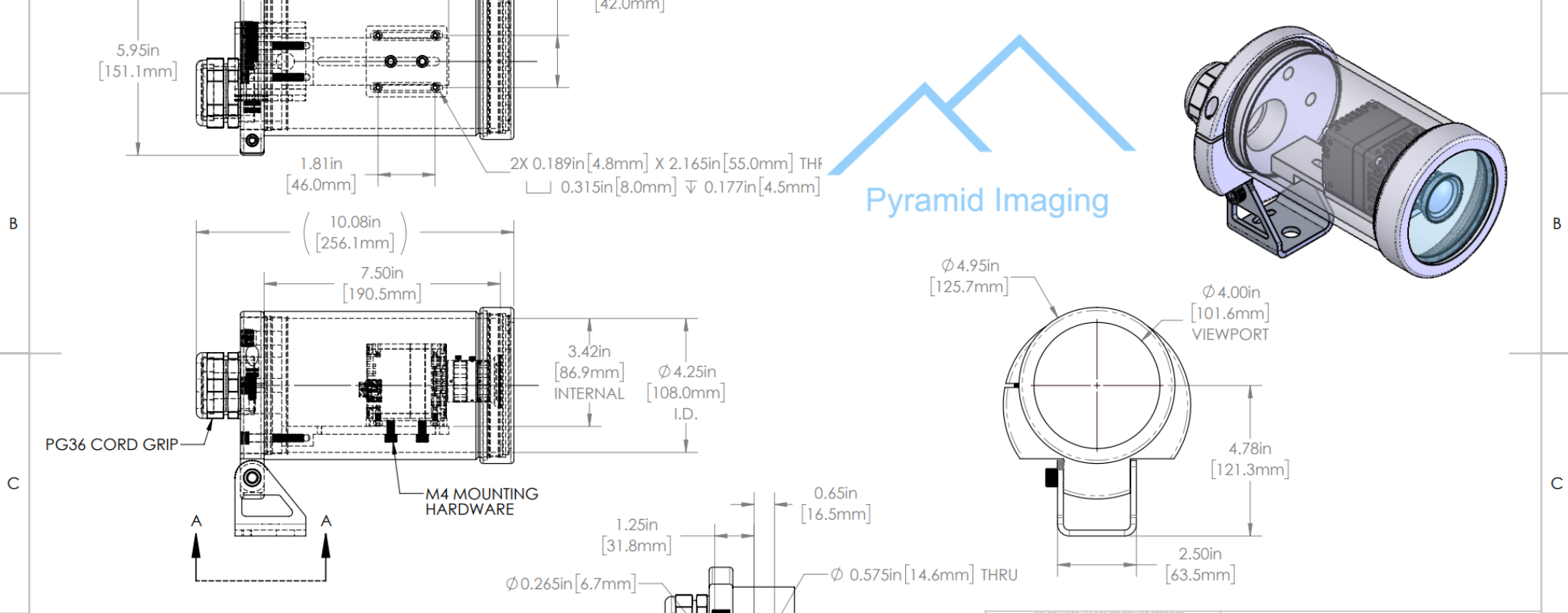
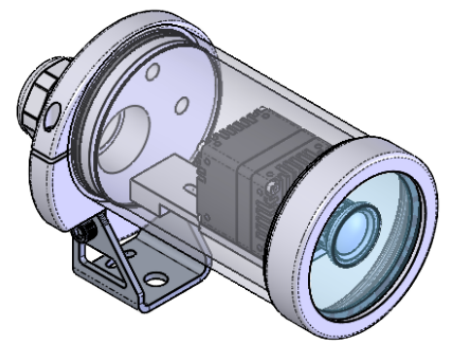


1 2 3 4 5 6

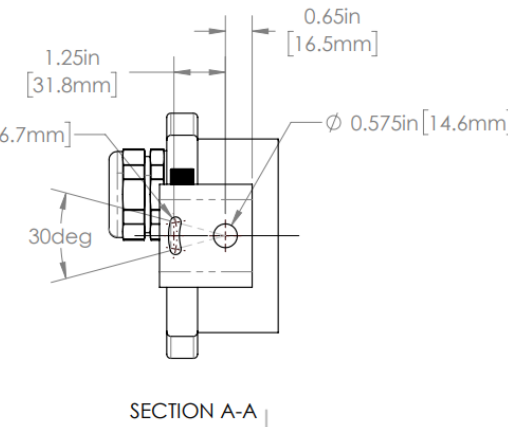
REVISIONS				
ZONE	REV.	DESCRIPTION	DATE	APPROVED
	A	RELEASED FOR PRODUCTION	4/1/2022	DMM



Pyramid Imaging



47C SERIES PROPERTIES TABLE		
ENVIRONMENT RATING	IP68*	
	(*RATING MAY CHANGE IF INSTALLER MILLS CABLE GLAND OUTSIDE OF TOLERANCE)	
COMPONENT	MATERIAL	FINISH
BODY/BASE/BARREL	6061 ALUMINUM	CLEAR HARDCOAT ANODIZED
VIEWPORT	SODA LIME GLASS	ABR2
GASKET	VITON	NONE
ARM/ADAPTER	6061 ALUMINUM	NONE
HARDWARE	18-8 SS	NONE



TOLERANCES UNLESS OTHERWISE SPECIFIED	
MACHINING	SHEET METAL
X.X 0.0250"	HOLE TO HOLE (SAME SURFACE) X.X 0.030"
X.XX 0.0100"	X.XX 0.010"
X.XXX 0.0050"	X.XXX 0.005"
X.XXXX 0.0005"	HOLE TO FOLDED EDGE X.X 0.035"
ANGULAR 0.5°	X.XX 0.025"
DEBURR ALL	X.XXX 0.015"
	FOLD TO FOLD X.X 0.045"
	X.XX 0.035"
	X.XXX 0.020"
	ANGULAR 1.0°

APG Vision LLC
4055 Alpha Drive
Allison Park, PA 15101 USA
Phone +1 (412) 487-8211
apgvision.com

apgvision

DESCRIPTION:
**47C 7.5IN BARREL WITH M4 SLOTS 42mm O.C.
FOR ORYX-003 & EDMUND OPTICS 68-215**

MATERIAL:
SEE BOM

FINISH:
SEE BOM

DRAWN BY: GAS DATE: 4/01/2022 SCALE: 1:3 SHT-SIZE: B APPROX. WEIGHT (LBS): 7.0501

CHECKED BY: DMM DATE: 4/1/2022 PART NUMBER: 47C-MH REVISION: A

Sheet 1 of 1

1 2 3 4 5 6