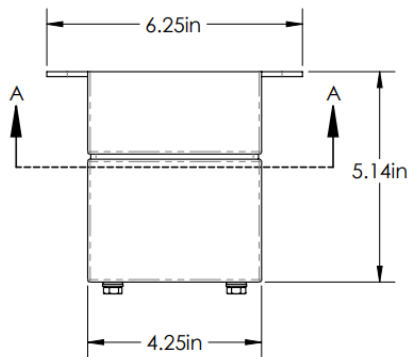
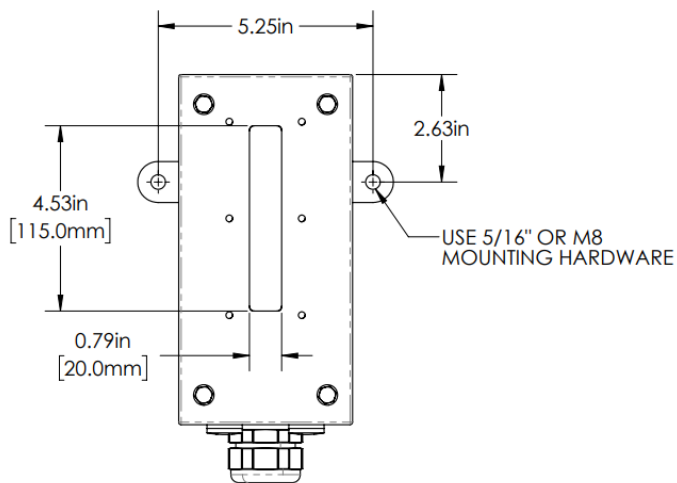


1 2 3 4 5 6

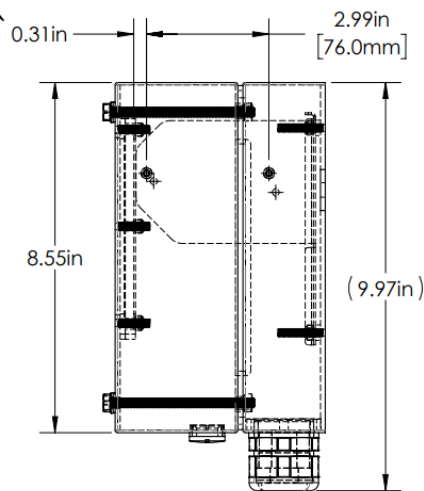
A



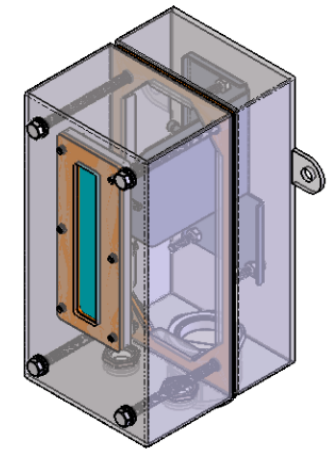
B



DISTANCE TO WINDOW
ADJUSTABLE WITH
PROVIDED SPACERS



REVISIONS				
ZONE	REV.	DESCRIPTION	DATE	APPROVED
	A	RELEASED FOR PRODUCTION	3/2/2022	DMM



C



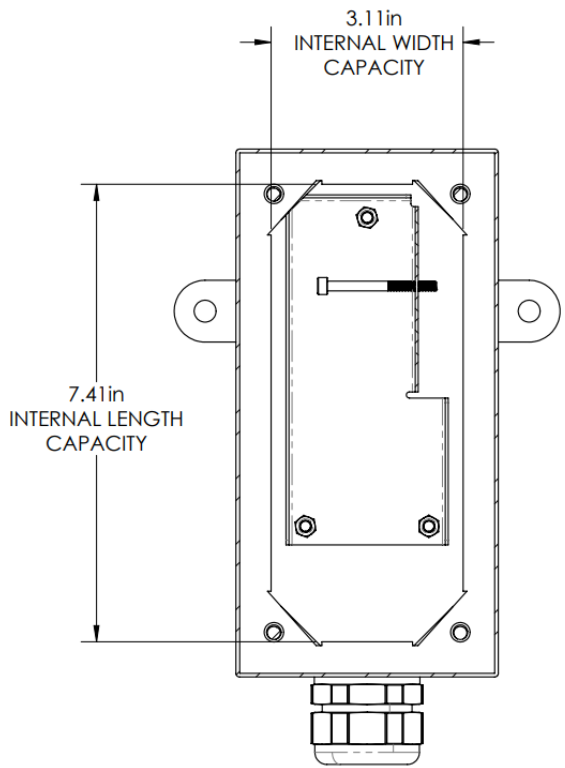
D

L7 SERIES PROPERTIES TABLE		
ENVIRONMENT RATING	IP68*	
	(*RATING MAY CHANGE IF INSTALLER MILLS CABLE GLAND OUTSIDE OF TOLERANCE)	
COMPONENT	MATERIAL	FINISH
BODY	316 SS	BURNISHED
VIEWPORT	CLEAR FLOW COAT ACRYLIC	ABR2
GASKET	SILICONE	NONE
BRACKET	5052 ALUM	NONE
HARDWARE	316 SS - EXTERNAL, 18-8 SS - INTERNAL	AS SUPPLIED

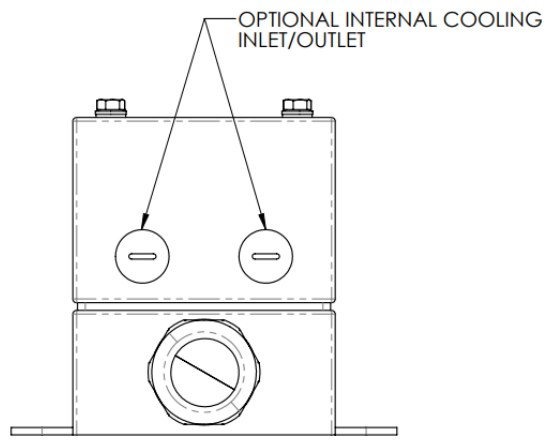
MACHINING		SHEET METAL	
X.X	0.0250"	HOLE TO HOLE (SAME SUBFACE)	X.X
X.XX	0.0100"	X.X	0.030"
X.XXX	0.0050"	X.XX	0.010"
X.XXXX	0.0005"	X.XXX	0.005"
ANGULAR	0.5°	HOLE TO FOLDED EDGE	X.X
DEBURR ALL		X.X	0.035"
		X.XX	0.025"
		X.XXX	0.015"
		EQUAL TO EQUAL	X.X
		X.X	0.045"
		X.XX	0.035"
		X.XXX	0.020"
		ANGULAR	1.0°

APG Vision LLC 4055 Alpha Drive Allison Park, PA 15101 USA Phone +1 (412) 487-8211 apgvision.com				
DESCRIPTION: L7 SEALED ENCLOSURE WITH REG UPPER & LOWER BODIES FOR KEYENCE LK-G400				
MATERIAL: SEE PROPERTIES TABLE				DRAWN BY: TWD
FINISH: SEE PROPERTIES TABLE				
DATE: 3/2/2022	SCALE: 1:3	SHT-SIZE: B	APPROX. WEIGHT (LBS): 5.9216	REVISION: A
CHECKED BY: DMM	DATE: 3/2/2022	PART NUMBER: L7-AT	Sheet 1 of 2	

1 2 3 4 5 6



SECTION A-A



TOLERANCES UNLESS OTHERWISE SPECIFIED

MACHINING		SHEET METAL		
X.X	0.0250"	HOLE TO HOLE (SAME SURFACE)	X.X	0.030"
X.XX	0.0100"		X.XX	0.010"
X.XXX	0.0050"		X.XXX	0.005"
X.XXXX	0.0005"		X.XXXX	0.0005"
ANGULAR	0.5°	HOLE TO FOLDED EDGE	X.X	0.035"
DEBURR	ALL		X.XX	0.025"
			X.XXX	0.015"
		FOLD TO FOLD	X.X	0.045"
			X.XX	0.035"
			X.XXX	0.020"
			ANGULAR	1.0°

APG Vision LLC
4055 Alpha Drive
Allison Park, PA 15101 USA
Phone +1 (412) 487-8211
apgvision.com

apgvision

DESCRIPTION:
L7 SEALED ENCLOSURE WITH REG UPPER & LOWER BODIES FOR KEYENCE LK-G400

MATERIAL: **SEE PROPERTIES TABLE**

FINISH: **SEE PROPERTIES TABLE**

DRAWN BY:	DATE:	SCALE:	SHT-SIZE:	APPROX. WEIGHT (LBS)
TWD	3/2/2022	1:2	B	5.9216
CHECKED BY:	DATE:	PART NUMBER:	REVISION	
DMM	3/2/2022	L7-AT	A	

Sheet 2 of 2

THIS PRINT IS THE PROPERTY OF APG VISION LLC. THE INFORMATION CONTAINED HEREIN IS CONFIDENTIAL. IT IS NOT TRANSFERABLE. IT IS FURNISHED WITH THE CLEAR UNDERSTANDING THAT IT IS NOT TO BE REPRODUCED OR USED IN ANY PROCESS OF MANUFACTURING WITHOUT WRITTEN PERMISSION FROM THE OWNER AND IS RETURNABLE UPON DEMAND. ANY INFRINGEMENT UPON THE PATENT RIGHTS SHOWN HEREIN, WHETHER IN PART OR WHOLE, WILL BE PROSECUTED.

AS PART OF OUR POLICY OF CONTINUING DEVELOPMENT, APG VISION LLC RESERVES THE RIGHT TO ALTER SPECIFICATIONS WITHOUT PRIOR NOTICE.