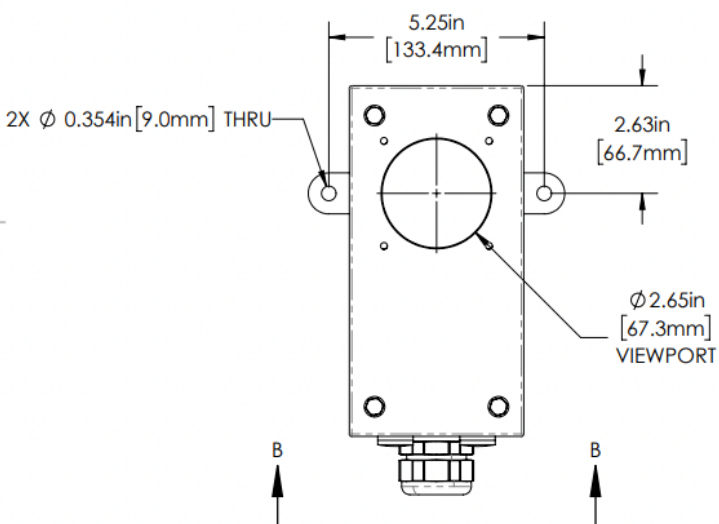
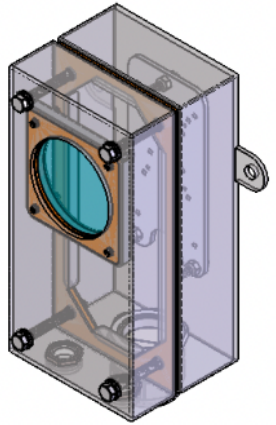
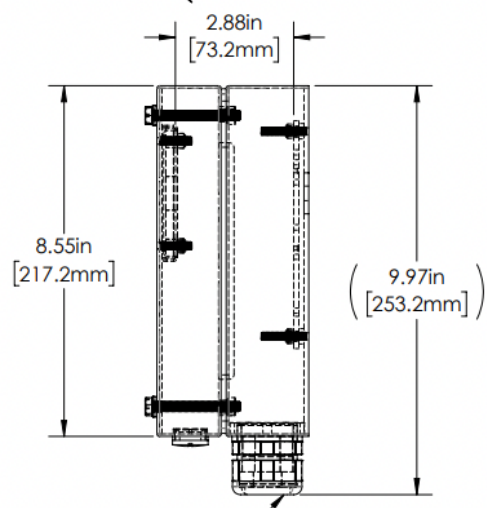


REVISIONS				
ZONE	REV.	DESCRIPTION	DATE	APPROVED
	A	RELEASED FOR PRODUCTION	12/3/2021	DMM



DISTANCE TO WINDOW
ADJUSTABLE WITH
PROVIDED SPACERS



ENVIRONMENT RATING	IP68*	
	[*RATING MAY CHANGE IF INSTALLER MILLS CABLE GLAND OUTSIDE OF TOLERANCE]	
COMPONENT	MATERIAL	FINISH
BODY	316 SS	BURNISHED
VIEWPORT	FLOW COAT ACRYLIC	CLEAR ABR2
GASKET	SILICONE	NONE
ARM/ADAPTOR	6061 ALUM	NONE
HARDWARE	316 SS - EXTERNAL, 18-8 SS - INTERNAL	NONE

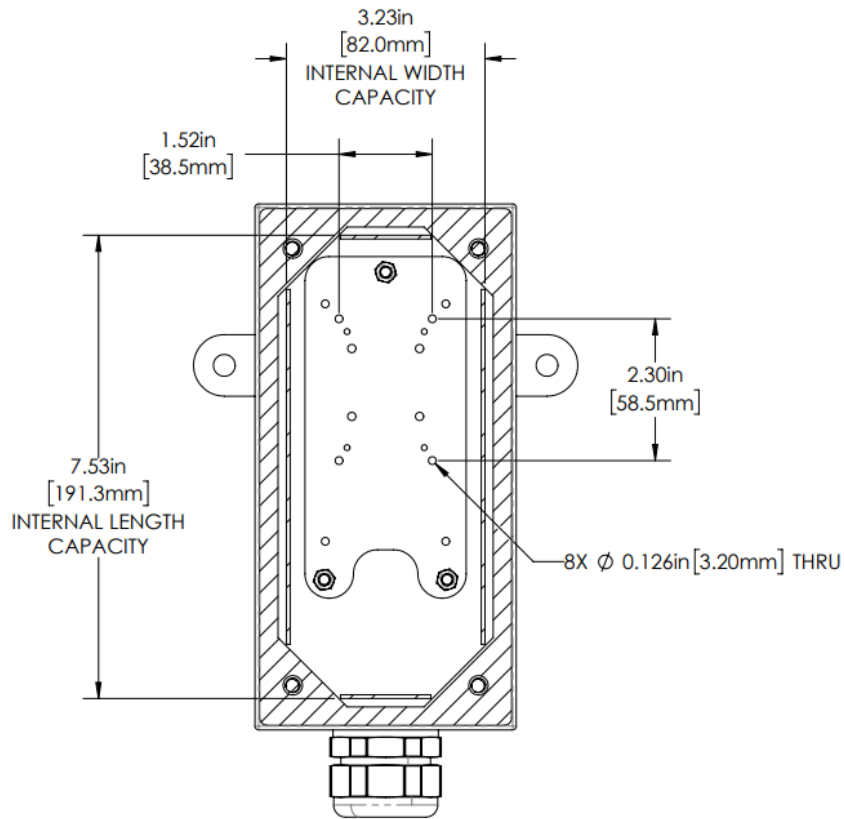


MACHINING		SHEET METAL	
X.X	0.0250"	SOLE TO SOLE (SAME SURFACE)	
X.XX	0.0100"	X.X	0.030"
X.XXX	0.0050"	X.XX	0.010"
X.XXXX	0.0005"	X.XXX	0.005"
ANGULAR	0.5°	SOLE TO EQUARED EDGE	
DEBURR	ALL	X.X	0.035"
		X.XX	0.025"
		X.XXX	0.015"
		FOLD TO FOLD	
		X.X	0.045"
		X.XX	0.035"
		X.XXX	0.020"
		ANGULAR 1.0°	

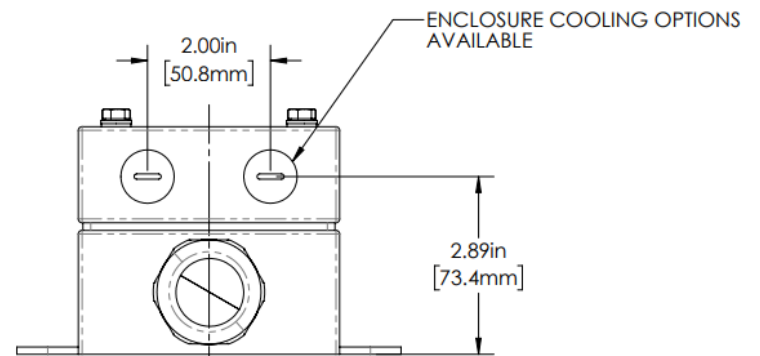
APG Vision LLC 4055 Alpha Drive Allison Park, PA 15101 USA Phone +1 (412) 487-8211 apgvision.com				
DESCRIPTION: L7 ENCLOSURE WITH REG UPPER & LOWER BODIES FOR COGNEX IS7000				
MATERIAL: SEE PROPERTIES TABLE				
FINISH: SEE PROPERTIES TABLE				
DRAWN BY: DMM	DATE: 12/3/2021	SCALE: 1:3	SHR. SIZE: B	APPROX. WEIGHT (LBS): 5.1038
CHECKED BY: DMM	DATE: 12/3/2021	PART NUMBER: L7-AY		REVISION: A
Sheet of 2				

THIS PRINT IS THE PROPERTY OF APG VISION LLC. THE INFORMATION CONTAINED HEREIN IS CONFIDENTIAL, IT IS NOT TO BE REPRODUCED OR USED IN ANY PROCESS OF MANUFACTURING WITHOUT WRITTEN CONSENT FROM THE OWNER AND IS RETURNABLE UPON DEMAND. ANY INFRINGEMENT UPON THE PATENT RIGHTS SHOWN HEREIN, WHETHER IN PART OR WHOLE, WILL BE PROSECUTED.

AS PART OF OUR POLICY OF CONTINUING DEVELOPMENT, APG VISION LLC RESERVES THE RIGHT TO ALTER SPECIFICATIONS WITHOUT PRIOR NOTICE.



SECTION A-A



SECTION B-B

TOLERANCES UNLESS OTHERWISE SPECIFIED		APG Vision LLC 4055 Alpha Drive Allison Park, PA 15101 USA Phone +1 (412) 487-8211 apgvision.com				
MACHINING		apgvision				
X.X	0.0250"					
X.XX	0.0100"	DESCRIPTION: L7 ENCLOSURE WITH REG UPPER & LOWER BODIES FOR COGNEX IS7000				
X.XXX	0.0050"					
X.XXXX	0.0005"	MATERIAL: SEE PROPERTIES TABLE				
ANGULAR	0.5°					
DEBURR	ALL	FINISH: SEE PROPERTIES TABLE				
		DRAWN BY: DMM	DATE: 12/3/2021	SCALE: 1:2	SH-SIZE: B	APPROX. WEIGHT (LBS): 5.1038
		CHECKED BY: DMM	DATE: 12/3/2021	PART NUMBER: L7-AY		REVISION: A
THIS PRINT IS THE PROPERTY OF APG VISION LLC. THE INFORMATION CONTAINED HEREIN IS CONFIDENTIAL. IT IS NOT TRANSFERABLE. IT IS FURNISHED WITH THE CLEAR UNDERSTANDING THAT IT IS NOT TO BE REPRODUCED OR USED IN ANY PROCESS OF MANUFACTURING WITHOUT WRITTEN PERMISSION FROM THE OWNER AND IS RETURNABLE UPON DEMAND. ANY INFRINGEMENT OF THE PATENT RIGHTS SHOWN HEREIN, WHETHER IN PART OR WHOLE, WILL BE PROSECUTED.		AS PART OF OUR POLICY OF CONTINUING DEVELOPMENT APG VISION LLC RESERVES THE RIGHT TO ALTER SPECIFICATIONS WITHOUT PRIOR NOTICE.				