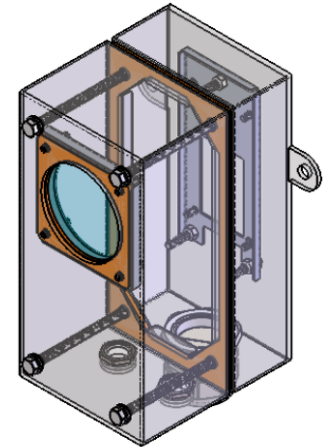
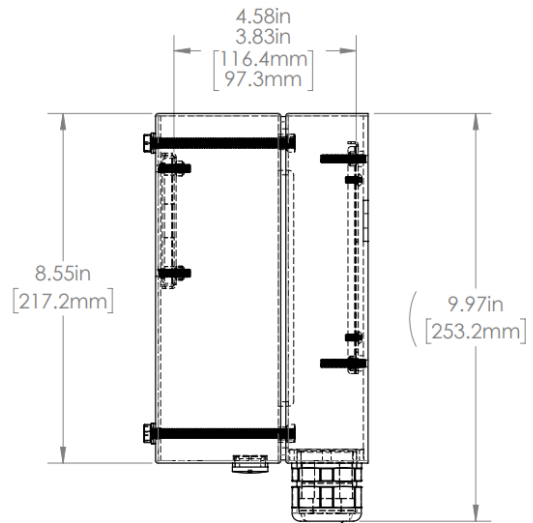


DISTANCE TO WINDOW  
ADJUSTABLE WITH  
PROVIDED SPACERS



REVISIONS				
ZONE	REV.	DESCRIPTION	DATE	APPROVED
	A	RELEASED FOR PRODUCTION	11/24/2021	DMM

L7 SERIES PROPERTIES TABLE		
<b>ENVIRONMENT RATING</b>	IP68*	
	(*RATING MAY CHANGE IF INSTALLER MILLS CABLE GLAND OUTSIDE OF TOLERANCE)	
<b>COMPONENT</b>	<b>MATERIAL</b>	<b>FINISH</b>
BODY	316 SS	BURNISHED
VIEWPORT	FLOW COAT ACRYLIC	CLEAR ABR2
GASKET	SILICONE	NONE
ARM/ADAPTOR	5052 ALUMINUM	NONE
HARDWARE	316 SS - EXTERNAL, 18-8 SS - INTERNAL	NONE

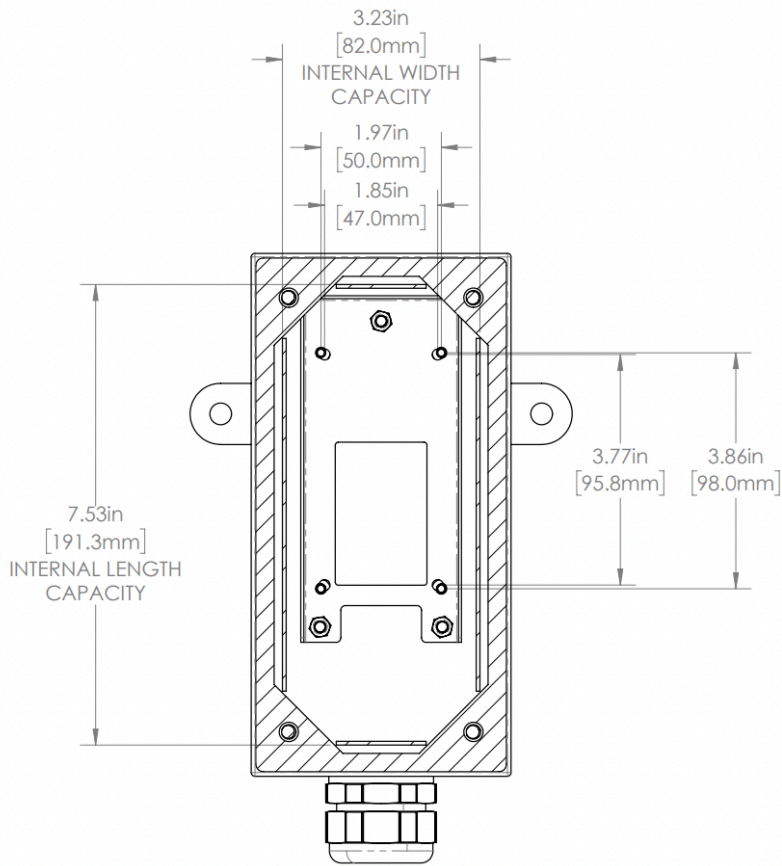


TOLERANCES UNLESS OTHERWISE SPECIFIED	
<b>MACHINING</b>	<b>SHEET METAL</b>
X.X 0.0250"	HOLE TO HOLE (SAME SURFACE) X.X 0.0300"
X.XX 0.0100"	X.XX 0.010"
X.XXX 0.0050"	X.XXX 0.005"
X.XXXX 0.0005"	X.XXX 0.005"
ANGULAR 0.5°	HOLE TO FOLDED EDGE X.X 0.035"
DEBURR ALL	X.XX 0.025"
	X.XXX 0.015"
	FOLD TO FOLD X.X 0.045"
	X.XX 0.035"
	X.XXX 0.020"
	ANGULAR 1.0°

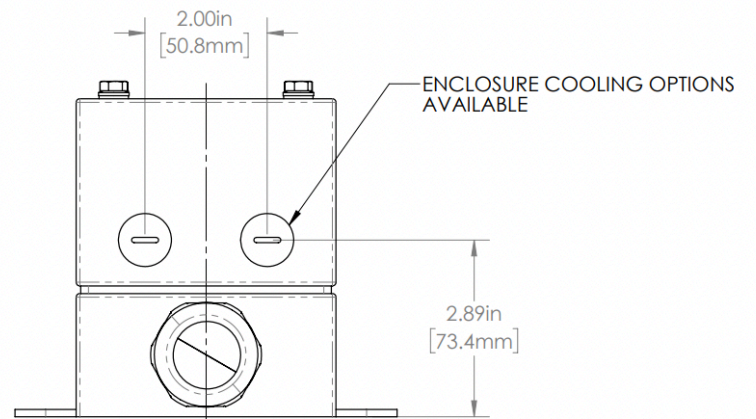
THIS PRINT IS THE PROPERTY OF APG VISION LLC. THE INFORMATION CONTAINED HEREIN IS CONFIDENTIAL. IT IS NOT TRANSFERABLE. IT IS FURNISHED WITH THE CLEAR UNDERSTANDING THAT IT IS NOT TO BE REPRODUCED OR USED IN ANY PROCESS OF MANUFACTURING WITHOUT WRITTEN PERMISSION FROM THE OWNER AND IS RETURNABLE UPON DEMAND. ANY AGREEMENT UPON THE PATENT RIGHTS SHOWN HEREIN, WHETHER IN PART OR WHOLE, WILL BE PROSECUTED.

AS PART OF OUR POLICY OF CONTINUING DEVELOPMENT, APG VISION LLC RESERVES THE RIGHT TO ALTER SPECIFICATIONS WITHOUT PRIOR NOTICE.

<b>APG Vision LLC</b> 4055 Alpha Drive Allison Park, PA 15101 USA Phone +1 (412) 487-8211 apgvision.com				
<b>DESCRIPTION:</b> L7 ENCLOSURE WITH EXTENDED UPPER & STANDARD LOWER BODIES FOR COGNEX 5000 & DVT 500				
<b>MATERIAL:</b> SEE PROPERTIES TABLE				
<b>FINISH:</b> SEE PROPERTIES TABLE				
<b>DRAWN BY:</b> TWD	<b>DATE:</b> 11/23/2021	<b>SCALE:</b> 1:3	<b>SHT-SIZE:</b> B	<b>APPROX. WEIGHT (LBS)</b> 5.8400
<b>CHECKED BY:</b> DMM	<b>DATE:</b> 11/24/2021	<b>PART NUMBER:</b> L7-BA	<b>REVISION</b> A	<b>Sheet 1 of 2</b>



SECTION A-A



SECTION B-B

TOLERANCES UNLESS OTHERWISE SPECIFIED

MACHINING		SHEET METAL		
X.X	0.0250"	HOLE TO HOLE (SAME SURFACE)	X.X	0.030"
X.XX	0.0100"		X.XX	0.010"
X.XXX	0.0050"		X.XXX	0.005"
X.XXXX	0.0005"		X.XXX	0.005"
ANGULAR	0.5°	HOLE TO FOLDED EDGE	X.X	0.035"
DEBURR ALL			X.XX	0.025"
			X.XXX	0.015"
		FOLD TO FOLD	X.X	0.045"
			X.XX	0.035"
			X.XXX	0.020"
				ANGULAR 1.0°



APG Vision LLC  
4055 Alpha Drive  
Allison Park, PA 15101 USA  
Phone +1 (412) 487-8211  
apgvision.com

**apgvision**

DESCRIPTION:  
L7 ENCLOSURE WITH EXTENDED UPPER & STANDARD LOWER BODIES FOR COGNEX 5000 & DVT 500

MATERIAL:  
SEE PROPERTIES TABLE

FINISH:  
SEE PROPERTIES TABLE

DRAWN BY: TWD DATE: 11/23/2021 SCALE: 1:2 SHT-SIZE: B APPROX. WEIGHT (LBS): 5.8400

CHECKED BY: DMM DATE: 11/24/2021 PART NUMBER: L7-BA REVISION: A

Sheet 2 of 2

THIS PRINT IS THE PROPERTY OF APG VISION LLC. THE INFORMATION CONTAINED HEREIN IS CONFIDENTIAL. IT IS NOT TRANSFERABLE. IT IS FURNISHED WITH THE CLEAR UNDERSTANDING THAT IT IS NOT TO BE REPRODUCED OR USED IN ANY PROCESS OF MANUFACTURING WITHOUT WRITTEN PERMISSION FROM THE OWNER AND IS RETURNABLE UPON DEMAND. ANY AGREEMENT FROM THE PATENT RIGHTS SHOWN HEREIN, WHETHER IN PART OR WHOLE, WILL BE PROSECUTED.

AS PART OF OUR POLICY OF CONTINUING DEVELOPMENT, APG VISION LLC RESERVES THE RIGHT TO ALTER SPECIFICATIONS WITHOUT PRIOR NOTICE.