

1 2 3 4 5 6

A

B

C

D

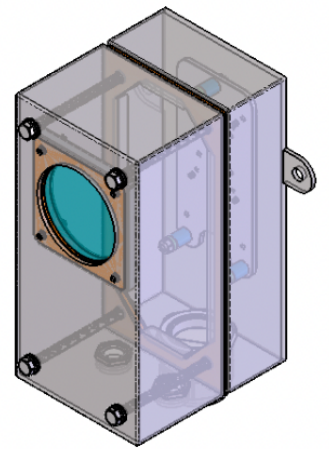
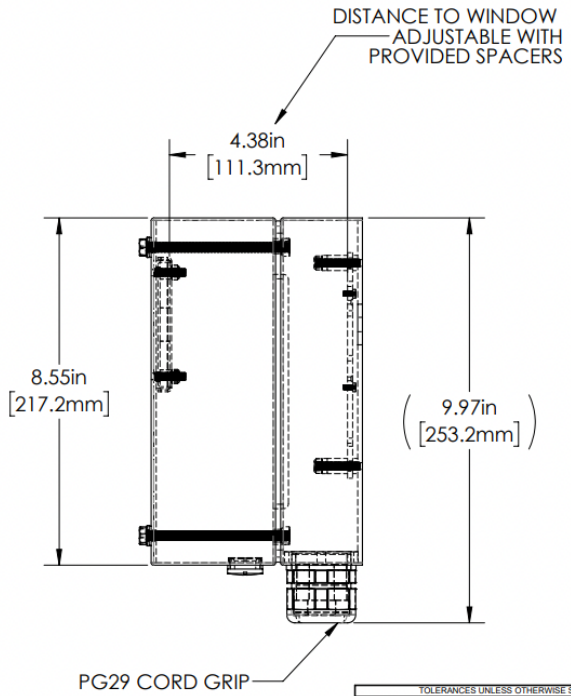
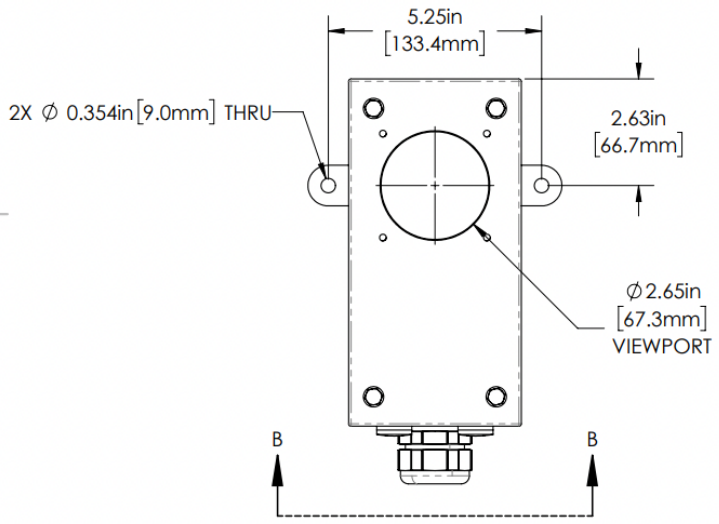
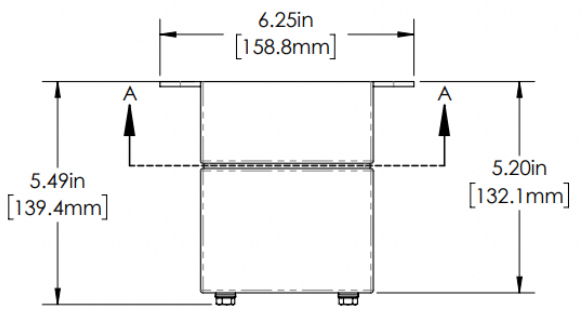
A

B

C

D

REVISIONS				
ZONE	REV.	DESCRIPTION	DATE	APPROVED
	A	RELEASED FOR PRODUCTION	11/5/2021	DMM



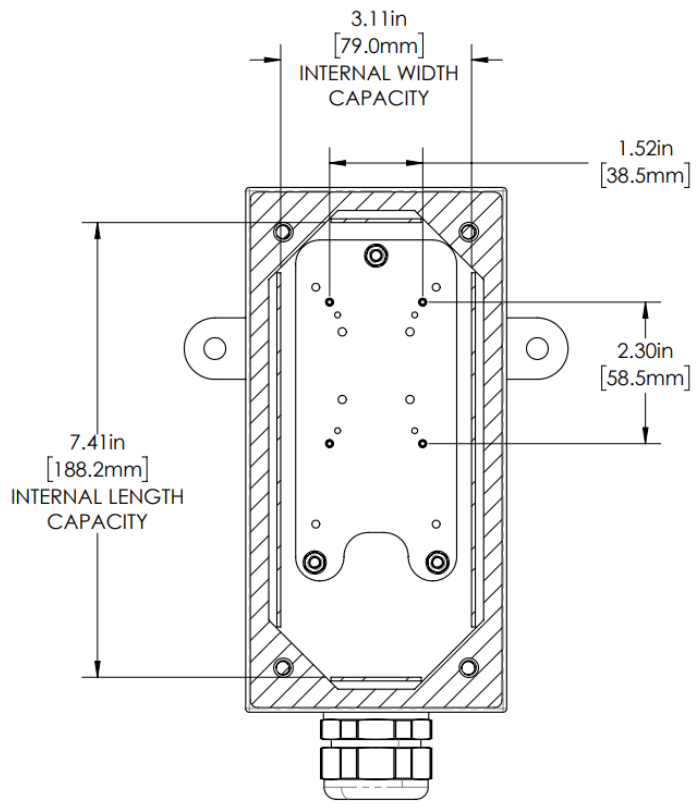
L7 SERIES PROPERTIES TABLE		
<b>ENVIRONMENT RATING</b>	IP68*	
	(*RATING MAY CHANGE IF INSTALLER MILLS CABLE GLAND OUTSIDE OF TOLERA	
<b>COMPONENT</b>	<b>MATERIAL</b>	<b>FINISH</b>
BODY	316 SS	BURNISHEE
VIEWPORT	CLEAR FLOW COAT ACRYLIC	ABR2
GASKET	SILICONE	NONE
BRACKET	6061 ALUM	NONE
HARDWARE	316 SS - EXTERNAL, 18-8 SS - INTERNAL	NONE



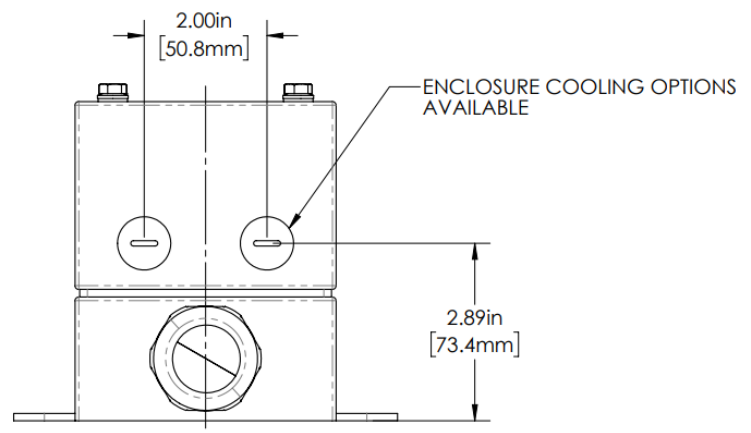
MACHINING		SHEET METAL	
X.X	0.0250"	HOLE TO HOLE (SAME SURFACE)	X.X
X.XX	0.0100"		X.X
X.XXX	0.0050"		X.XX
X.XXXX	0.0005"		X.XXX
ANGULAR	0.5°		X.XXXX
DEBURR ALL			ISLE TO FOLDED EDGE
			X.X
			X.XX
			X.XXX
			X.XXXX
			FOLD TO FOLD
			X.X
			X.XX
			X.XXX
			ANGULAR
			1.0°

APG Vision LLC 4055 Alpha Drive Allison Park, PA 15101 USA Phone +1 (412) 487-8211 apgvision.com				<b>apgvision</b>
DESCRIPTION: L7 ENCLOSURE WITH EXTENDED UPPER BODY FOR COGNEX IS7000				
MATERIAL: SEE PROPERTIES TABLE				DRAWN BY: GAS
FINISH: SEE PROPERTIES TABLE				
DATE: 11/5/2021	SCALE: 1:3	SHT-SIZE: B	APPROX. WEIGHT (LBS): 5.8268	REVISION: A
CHECKED BY: DMM	DATE: 11/5/2021	PART NUMBER: L7-BD	Sheet 1 of 2	

1 2 3 4 5 6



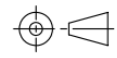
SECTION A-A



SECTION B-B

TOLERANCES UNLESS OTHERWISE SPECIFIED

MACHINING	SHEET METAL
XX 0.0250"	XX 0.030"
X.XX 0.0100"	X.XX 0.010"
X.XXXX 0.0050"	X.XXX 0.005"
X.XXXXX 0.0005"	X.XXX 0.005"
ANGULAR 0.5°	HOLE TO FOLDED EDGE
DEBURR ALL	XX 0.035°
	X.XX 0.025°
	X.XXX 0.015°
	FOLD TO FOLD
	XX 0.045°
	X.XX 0.035°
	X.XXX 0.020°
	ANGULAR 1.0°



APG Vision LLC 4055 Alpha Drive Allison Park, PA 15101 USA Phone +1 (412) 487-8211 apgvision.com				
DESCRIPTION: <b>L7 ENCLOSURE WITH EXTENDED UPPER BODY FOR COGNEX IS7000</b>				
MATERIAL: SEE PROPERTIES TABLE				
FINISH: SEE PROPERTIES TABLE				
DRAWN BY:	DATE:	SCALE:	SHT-SIZE:	APPROX. WEIGHT (LBS)
GAS	11/5/2021	1:2	B	5.8268
CHECKED BY:	DATE:	PART NUMBER:		REVISION:
DMM	11/5/2021	L7-BD		A
Sheet 2 of 2				

THIS PRINT IS THE PROPERTY OF APG VISION LLC. THE INFORMATION CONTAINED HEREIN IS CONFIDENTIAL. IT IS NOT TRANSFERABLE. IT IS FURNISHED WITH THE CLEAR UNDERSTANDING THAT IT IS NOT TO BE TRADED, REPRODUCED OR USED IN ANY PROCESS OF MANUFACTURING WITHOUT WRITTEN PERMISSION FROM THE OWNER AND IS RETURNED TO THE OWNER WHENEVER INQUIRED OR WHENEVER REQUESTED.

AS PART OF OUR POLICY OF CONTINUING DEVELOPMENT, APG VISION LLC RESERVES THE RIGHT TO ALTER SPECIFICATIONS WITHOUT PRIOR NOTICE.