

1 2 3 4 5 6

A

B

C

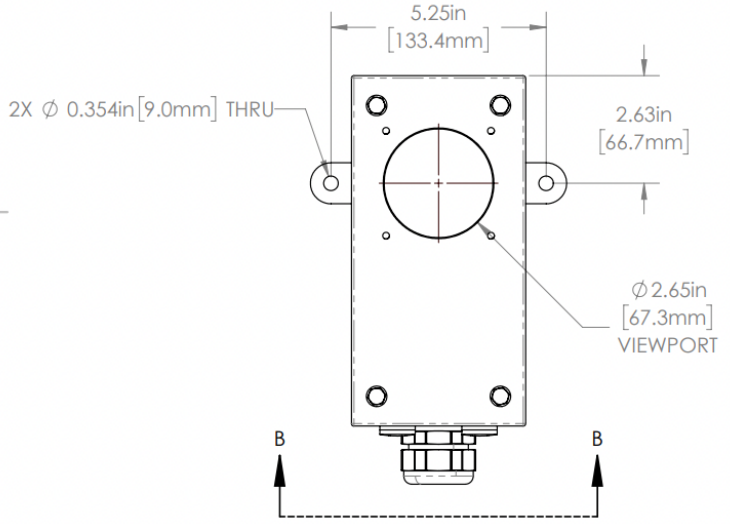
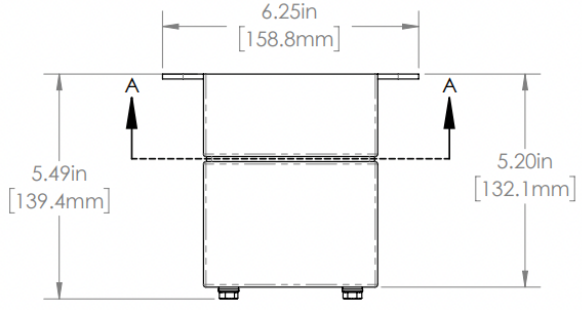
D

A

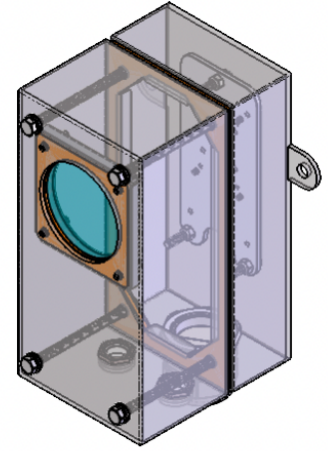
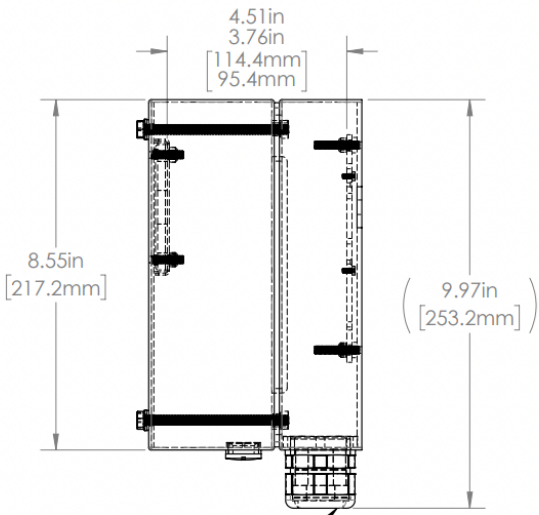
B

C

D



DISTANCE TO WINDOW
ADJUSTABLE WITH
PROVIDED SPACERS



REVISIONS				
ZONE	REV.	DESCRIPTION	DATE	APPROVED
	A	RELEASED FOR PRODUCTION	1/28/2022	DMM

L7 SERIES PROPERTIES TABLE		
ENVIRONMENT RATING	IP68*	
	(*RATING MAY CHANGE IF INSTALLER MILLS CABLE GLAND OUTSIDE OF TOLERANCE)	
COMPONENT	MATERIAL	FINISH
BODY	316 SS	BURNISHED
VIEWPORT	FLOW COAT ACRYLIC	CLEAR ABR2
GASKET	SILICONE	NONE
ARM/ADAPTOR	6061 ALUM	NONE
HARDWARE	316 SS - EXTERNAL, 18-8 SS - INTERNAL	NONE



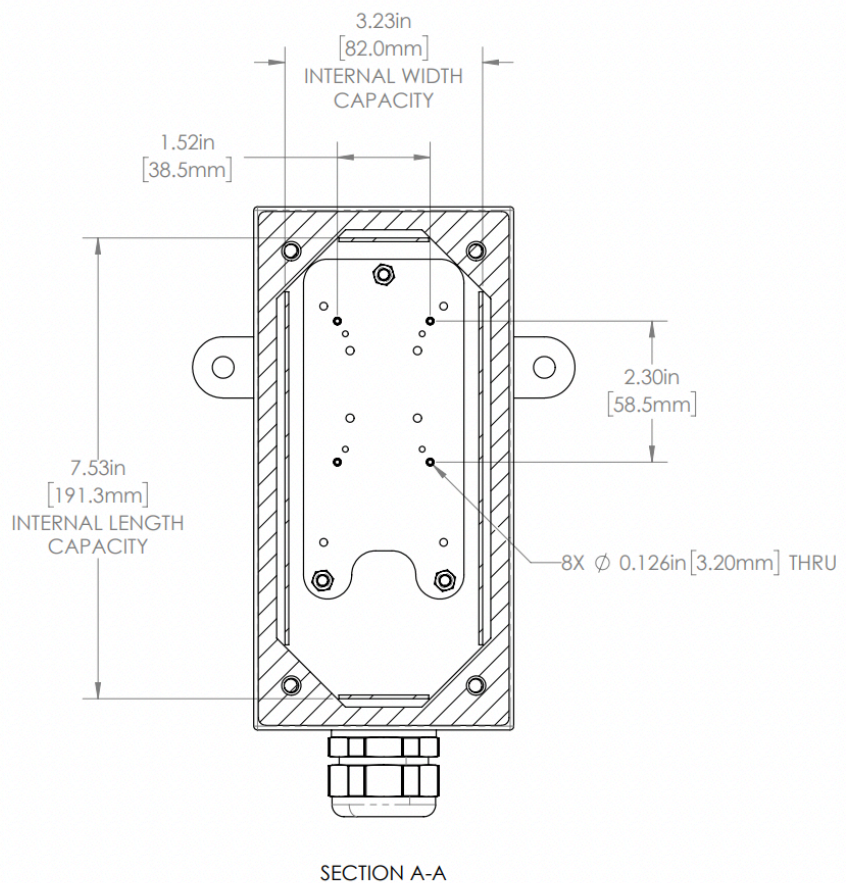
MACHINING		SHEET METAL	
X.X	0.0250"	HOLE TO HOLE (SAME SURFACE)	X.X
X.XX	0.0100"		X.X
X.XXX	0.0050"		X.XX
X.XXXX	0.0005"		X.XXX
ANGULAR	0.5°	HOLE TO FOLDED EDGE	X.XX
DEBURR ALL			X.XX
		FOLD TO FOLD	X.XX
			X.XX
		ANGULAR 1.0°	X.XXX

THIS PRINT IS THE PROPERTY OF APG VISION LLC. THE INFORMATION CONTAINED HEREIN IS CONFIDENTIAL. IT IS NOT TRANSFERABLE. IT IS FURNISHED WITH THE CLEAR UNDERSTANDING THAT IT IS NOT TO BE REPRODUCED OR USED IN ANY PROCESS OF MANUFACTURING WITHOUT WRITTEN PERMISSION FROM THE OWNER AND IS RETURNABLE UPON DEMAND. ANY INFRINGEMENT UPON THE PATENT RIGHTS SHOWN HEREIN, WHETHER IN PART OR WHOLE, WILL BE PROSECUTED.

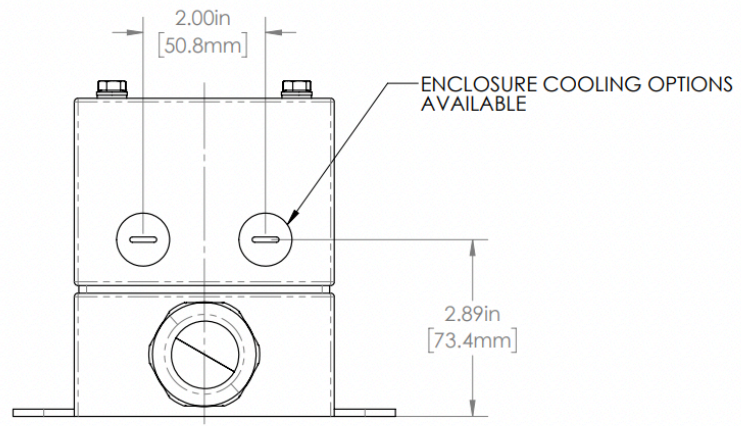
AS PART OF OUR POLICY OF CONTINUING DEVELOPMENT, APG VISION LLC RESERVES THE RIGHT TO ALTER SPECIFICATIONS WITHOUT PRIOR NOTICE.

APG Vision LLC 4055 Alpha Drive Allison Park, PA 15101 USA Phone +1 (412) 487-8211 apgvision.com		apgVISION	
DESCRIPTION: L7 ENCLOSURE WITH EXTENDED UPPER & STANDARD LOWER BODIES FOR COGNEX IS7000 SERIES			
MATERIAL: SEE BOM		SEE BOM	
DRAWN BY: DMM	DATE: 1/28/2022	SCALE: 1:3	SHT-SIZE: B
CHECKED BY: DMM	DATE: 1/28/2022	PART NUMBER: L7-BN	APPROX. WEIGHT (LBS): 5.8205
			REVISION: A

1 2 3 4 5 6



SECTION A-A



SECTION B-B

TOLERANCES UNLESS OTHERWISE SPECIFIED

MACHINING		SHEET METAL	
X.X	0.0250"	HOLE TO HOLE (SAME SURFACE)	X.X
X.XX	0.0100"	X.XX	0.030"
X.XXX	0.0050"	X.XX	0.010"
X.XXXX	0.0005"	X.XXX	0.005"
ANGULAR	0.5°	HOLE TO FOLDED EDGE	X.X
DEBURR ALL		X.X	0.035"
		X.XX	0.025"
		X.XXX	0.015"
		EQLD TO EDG	X.X
		X.X	0.045"
		X.XX	0.035"
		X.XXX	0.020"
		ANGULAR	1.0°

THIS PRINT IS THE PROPERTY OF APG VISION LLC. THE INFORMATION CONTAINED HEREIN IS CONFIDENTIAL. IT IS NOT TRANSFERABLE. IT IS FURNISHED WITH THE CLEAR UNDERSTANDING THAT IT IS NOT TO BE TRACED, REPRODUCED OR USED IN ANY PROCESS OF MANUFACTURING WITHOUT WRITTEN PERMISSION FROM THE OWNER AND IS RETURNABLE UPON DEMAND. ANY INFRINGEMENT UPON THE PATENT RIGHTS SHOWN HEREIN, WHETHER IN PART OR WHOLE, WILL BE PROSECUTED.

AS PART OF OUR POLICY OF CONTINUING DEVELOPMENT, APG VISION LLC RESERVES THE RIGHT TO ALTER SPECIFICATIONS WITHOUT PRIOR NOTICE.

APG Vision LLC
 4055 Alpha Drive
 Allison Park, PA 15101 USA
 Phone +1 (412) 487-8211
 apgvision.com

apgvision

DESCRIPTION:
L7 ENCLOSURE WITH EXTENDED UPPER & STANDARD LOWER BODIES FOR COGNEX IS7000 SERIES

MATERIAL:
SEE BOM

FINISH:
SEE BOM

DRAWN BY: DMM	DATE: 1/28/2022	SCALE: 1:2	SHT-SIZE: B	APPROX. WEIGHT (LBS): 5.8205
CHECKED BY: DMM	DATE: 1/28/2022	PART NUMBER: L7-BN	REVISION: A	

Sheet 2 of 2