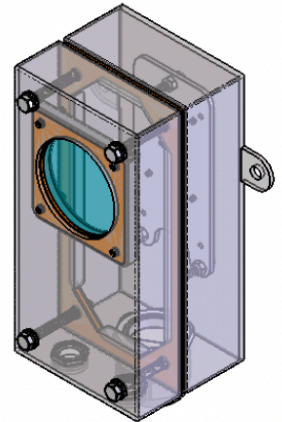
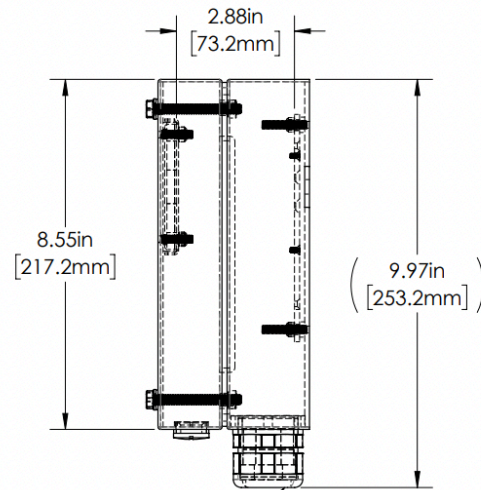


DISTANCE TO WINDOW  
ADJUSTABLE WITH  
PROVIDED SPACERS



REVISIONS				
ZONE	REV.	DESCRIPTION	DATE	APPROVED
	A	RELEASED FOR PRODUCTION	11/16/2021	DMM

**L7 SERIES PROPERTIES TABLE**

<b>ENVIRONMENT RATING</b>	IP68*	
	(*RATING MAY CHANGE IF INSTALLER MILLS CABLE GLAND OUTSIDE OF TOLERANCE)	
<b>COMPONENT</b>	<b>MATERIAL</b>	<b>FINISH</b>
BODY	316 SS	BURNISHED
VIEWPORT	FLOW COAT ACRYLIC	CLEAR ABR2
GASKET	SILICONE	NONE
ARM/ADAPTOR	6061 ALUM	NONE
HARDWARE	316 SS - EXTERNAL, 18-8 SS - INTERNAL	NONE

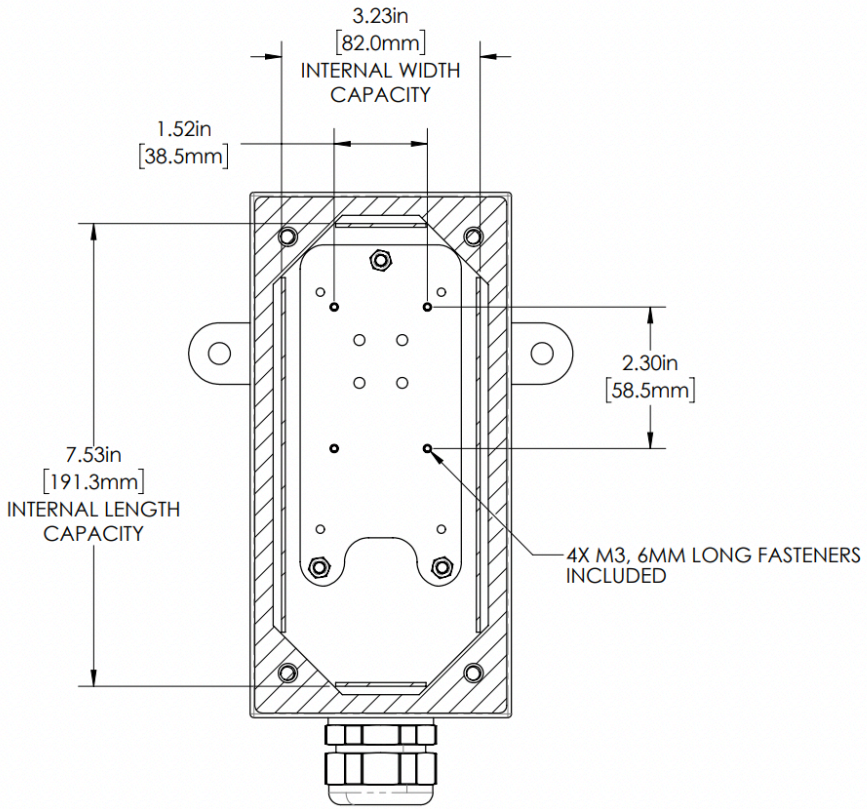


MACHINING		SHEET METAL	
X.X	0.0250"	HOLE TO HOLE (SAME SURFACE)	X.X
X.XX	0.0100"		X.XX
X.XXX	0.0050"		X.XXX
X.XXXX	0.0005"		X.XXXX
ANGULAR	0.5°	HOLE TO FOLDED EDGE	X.X
DIEBURR	ALL		X.XX
		FOLD TO FOLD	X.X
			X.XX
			X.XXX
			ANGULAR 1.0°

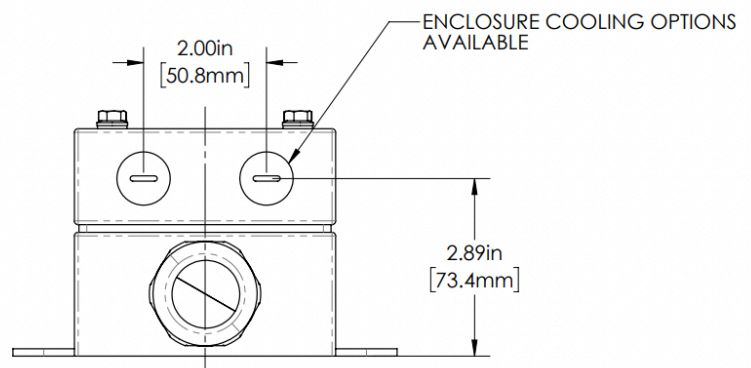
APG Vision LLC 4055 Alpha Drive Allison Park, PA 15101 USA Phone +1 (412) 487-8211 apgvision.com			
DESCRIPTION: L7 ENCLOSURE WITH REG UPPER & LOWER BODIES FOR COGNEX IS7000G2			
MATERIAL: SEE PROPERTIES TABLE			
FINISH: SEE PROPERTIES TABLE			
DRAWN BY: TWD	DATE: 11/16/2021	SCALE: 1:3	APPROX. WEIGHT (LBS): 5.1038
CHECKED BY: DMM	DATE: 11/16/2021	PART NUMBER: L7-BR	REVISION: A
Sheet 1 of 2			

THIS PRINT IS THE PROPERTY OF APG VISION LLC. THE INFORMATION CONTAINED HEREIN IS CONFIDENTIAL. IT IS NOT TRANSFERABLE. IT IS FURNISHED WITH THE CLEAR UNDERSTANDING THAT IT IS NOT TO BE REPRODUCED, COPIED, OR USED IN ANY PROCESS OF MANUFACTURING WITHOUT WRITTEN PERMISSION FROM THE OWNER AND IS RETURNABLE UPON DEMAND. ANY IMPROVEMENT UPON THE PATENT RIGHTS SHOW HEREIN, WHETHER IN PART OR WHOLE, WILL BE PROSECUTED.

AS PART OF OUR POLICY OF CONTINUING DEVELOPMENT, APG VISION LLC RESERVES THE RIGHT TO ALTER SPECIFICATIONS WITHOUT PRIOR NOTICE.



SECTION A-A



SECTION B-B

TOLERANCES UNLESS OTHERWISE SPECIFIED

MACHINING		SHEET METAL	
X.X	0.0250"	HOLE TO HOLE (SAME SURFACE)	X.X
X.XX	0.0100"		X.X
X.XXX	0.0050"		X.XX
X.XXXX	0.0005"		X.XXX
ANGULAR	0.5°	HOLE TO FOLDED EDGE	X.X
DEBURR ALL			X.XX
			X.XXX
		FOLD TO FOLD	X.X
			X.XX
			X.XXX
			ANGULAR 1.0°

APG Vision LLC  
4055 Alpha Drive  
Allison Park, PA 15101 USA  
Phone +1 (412) 487-8211  
apgvision.com

**apgvision**

DESCRIPTION:  
L7 ENCLOSURE WITH REG UPPER & LOWER BODIES FOR COGNEX IS7000G2

MATERIAL:  
SEE PROPERTIES TABLE

FINISH:  
SEE PROPERTIES TABLE

DRAWN BY: TWD	DATE: 11/16/2021	SCALE: 1:2	SHY SIZE: B	APPROX. WEIGHT (LBS): 5.1038
CHECKED BY: DMM	DATE: 11/16/2021	PART NUMBER: L7-BR	REVISION: A	

AS PART OF OUR POLICY OF CONTINUING DEVELOPMENT, APG VISION LLC RESERVES THE RIGHT TO ALTER SPECIFICATIONS WITHOUT PRIOR NOTICE.

Sheet 2 of 2