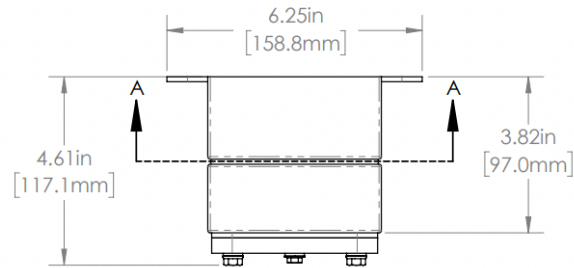


1 2 3 4 5 6

A

A

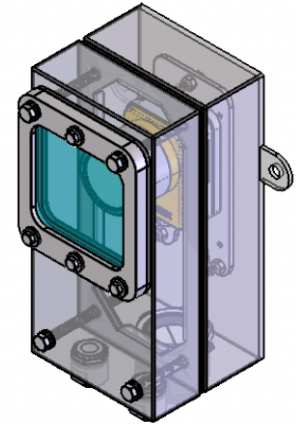
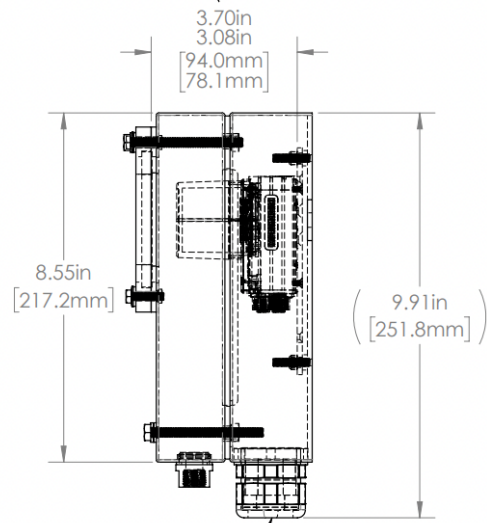
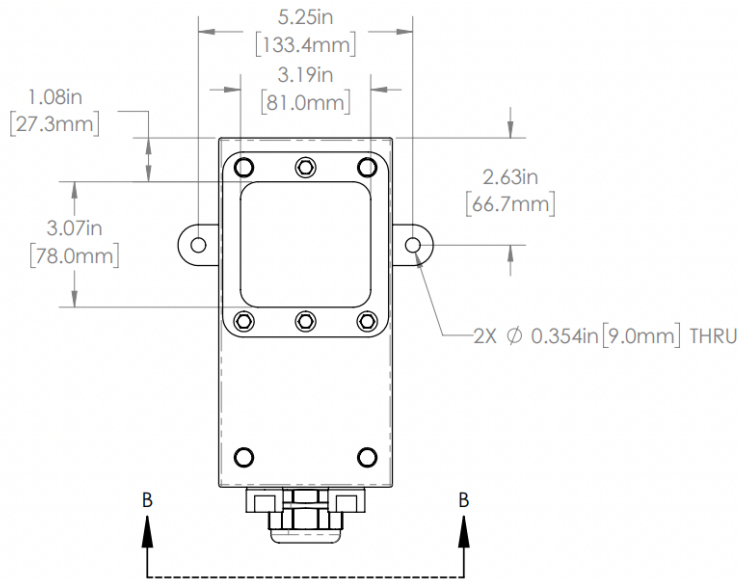


REVISIONS				
ZONE	REV.	DESCRIPTION	DATE	APPROVED
	A	RELEASED FOR PRODUCTION	9/27/2021	DMM

DISTANCE TO WINDOW  
ADJUSTABLE WITH  
PROVIDED SPACERS

B

B



PG29 CORD GRIP

C

C

**L7 SERIES PROPERTIES TABLE**

ENVIRONMENT RATING	IP68*	
	(*RATING MAY CHANGE IF INSTALLER MILLS CABLE GLAND OUTSIDE OF TOLERANCE)	
COMPONENT	MATERIAL	FINISH
BODY	316 SS	BURNISHED
VIEWPORT	BOROSILICATE GLASS	NONE
GASKET	70A VITON	NONE
ARM/ADAPTOR	6061 ALUMINUM	NONE
HARDWARE	316 SS - EXTERNAL, 18-8 SS - INTERNAL	NONE



TOLERANCES UNLESS OTHERWISE SPECIFIED	
MACHINING	SHEET METAL
X.X 0.0250"	HOLE TO HOLE (SAME SURFACE) X.X 0.030"
X.XX 0.0100"	X.XX 0.030"
X.XXX 0.0050"	X.XXX 0.0100"
X.XXXX 0.0005"	X.XXXX 0.0050"
ANGULAR 0.5°	HOLE TO FOLDED EDGE X.X 0.035"
DEBURR ALL	X.XX 0.025"
	X.XXX 0.015"
	EDGE TO FOLD X.X 0.045"
	X.XX 0.035"
	X.XXX 0.020"
	ANGULAR 1.0°

APG Vision LLC 4055 Alpha Drive Allison Park, PA 15101 USA Phone +1 (412) 487-8211 apgvision.com				
DESCRIPTION: L7 ENCLOSURE WITH EXTERNAL FACEPLATE & VITON SEALS FOR COGNEX INSIGHT 7000 G2				
MATERIAL:		SEE PROPERTIES TABLE		
FINISH:		SEE PROPERTIES TABLE		
DRAWN BY: DMM	DATE: 9/27/2021	SCALE: 1:3	SHT-SIZE: B	APPROX. WEIGHT (LBS) 5.8025
CHECKED BY: DMM	DATE: 9/27/2021	PART NUMBER: L7-DX	REVISION A	

1 2 3 4 5 6

D

D

1 2 3 4 5 6

A

B

C

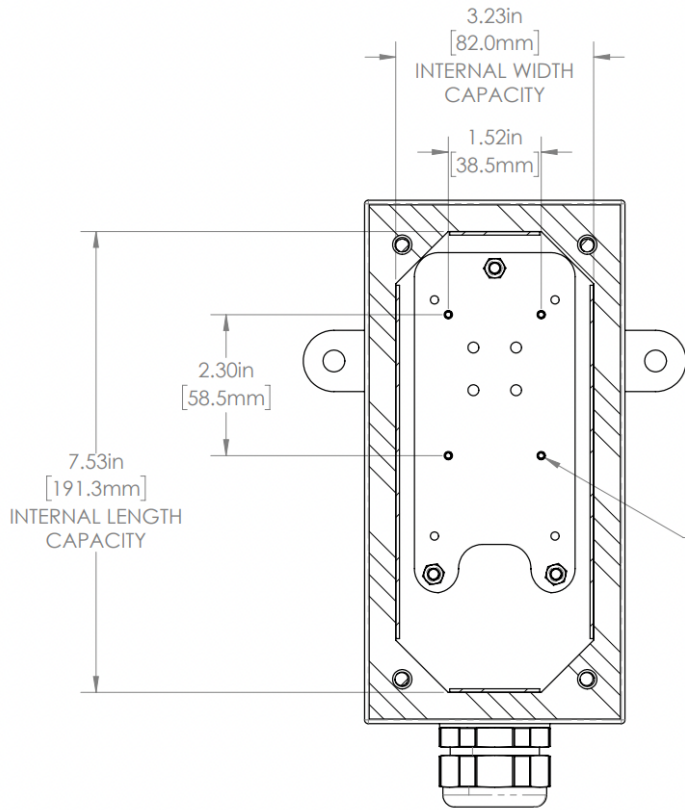
D

A

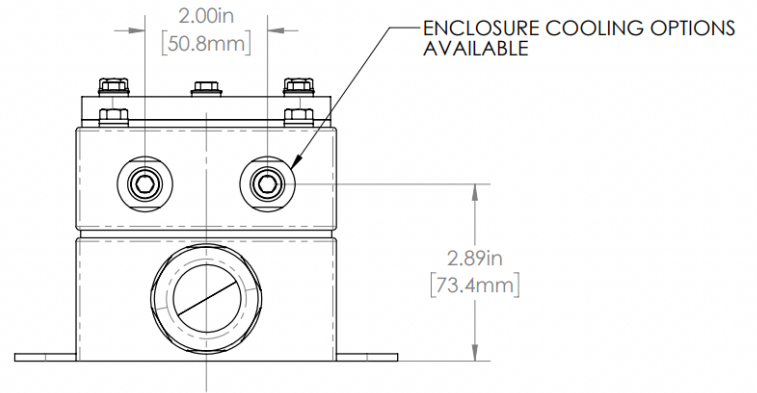
B

C

D



SECTION A-A



SECTION B-B

TOLERANCES UNLESS OTHERWISE SPECIFIED		APG Vision LLC 4055 Alpha Drive Allison Park, PA 15101 USA Phone +1 (412) 487-8211 apgvision.com	
<b>MACHINING</b>		<b>apgvision</b>	
X.X	0.0250"	<b>HOLE TO HOLE (SAME SURFACE)</b>	
X.XX	0.0100"	X.X	0.030"
X.XXX	0.0050"	X.XX	0.010"
X.XXXX	0.0005"	X.XXX	0.005"
ANGULAR	0.5°	<b>HOLE TO FOLDED EDGE</b>	
DEBURR ALL		X.X	0.035"
		X.XX	0.025"
		X.XXX	0.015"
		<b>EQUID TO EQUID</b>	
		X.X	0.045"
		X.XX	0.035"
		X.XXX	0.020"
		<b>ANGULAR 1.0°</b>	
<small>THIS PRINT IS THE PROPERTY OF APG VISION LLC. THE INFORMATION CONTAINED HEREIN IS CONFIDENTIAL. IT IS NOT TRANSFERABLE. IT IS FURNISHED WITH THE CLEAR UNDERSTANDING THAT IT IS NOT TO BE TRACED, REPRODUCED OR USED IN ANY PROCESS OF MANUFACTURING WITHOUT WRITTEN PERMISSION FROM THE OWNER AND IS RETURNABLE UPON DEMAND. ANY INFRINGEMENT UPON THE PATENT RIGHTS SHOWN HEREIN, WHETHER IN PART OR WHOLE, WILL BE PROSECUTED.</small>		<b>DESCRIPTION:</b> L7 ENCLOSURE WITH EXTERNAL FACEPLATE & VITON SEALS FOR COGNEX INSIGHT 7000 G2	
<small>AS PART OF OUR POLICY OF CONTINUING DEVELOPMENT, APG VISION LLC RESERVES THE RIGHT TO ALTER SPECIFICATIONS WITHOUT PRIOR NOTICE.</small>		<b>MATERIAL:</b> SEE PROPERTIES TABLE <b>FINISH:</b> SEE PROPERTIES TABLE	
<b>DRAWN BY:</b> DMM	<b>DATE:</b> 9/27/2021	<b>SCALE:</b> 1:2	<b>SHT-SIZE:</b> B
<b>CHECKED BY:</b> DMM	<b>DATE:</b> 9/27/2021	<b>PART NUMBER:</b> L7-DX	<b>APPROX. WEIGHT (LBS):</b> 5.8025
			<b>REVISION:</b> A

1 2 3 4 5 6