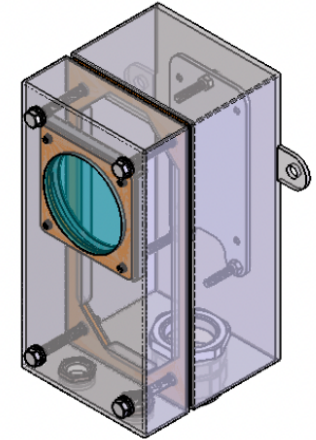
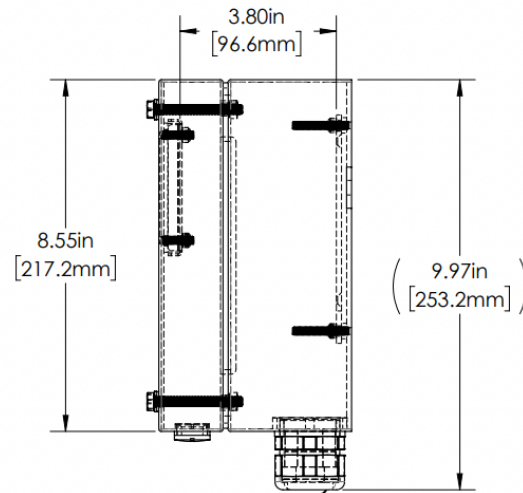


DISTANCE TO WINDOW
ADJUSTABLE WITH
PROVIDED SPACERS



REVISIONS				
ZONE	REV.	DESCRIPTION	DATE	APPROVED
	A	RELEASED FOR PRODUCTION	9/7/2021	DMM

L7 SERIES PROPERTIES TABLE

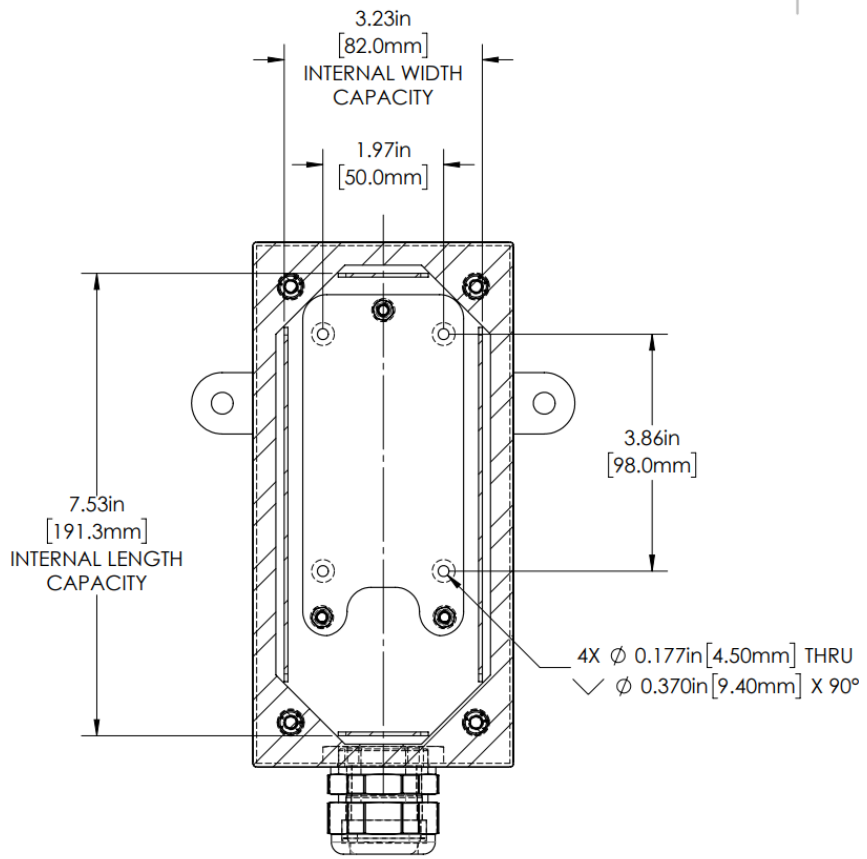
ENVIRONMENT RATING	IP68*	
	(*RATING MAY CHANGE IF INSTALLER MILLS CABLE GLAND OUTSIDE OF TOLERANCE)	
COMPONENT	MATERIAL	FINISH
BODY	316 SS	BURNISHED
VIEWPORT	CLEAR POLYCARBONATE	NONE
GASKET	SILICONE	NONE
ARM/ADAPTOR	6061 ALUM	NONE
HARDWARE	316 SS - EXTERNAL, 18-8 SS - INTERNAL	NONE



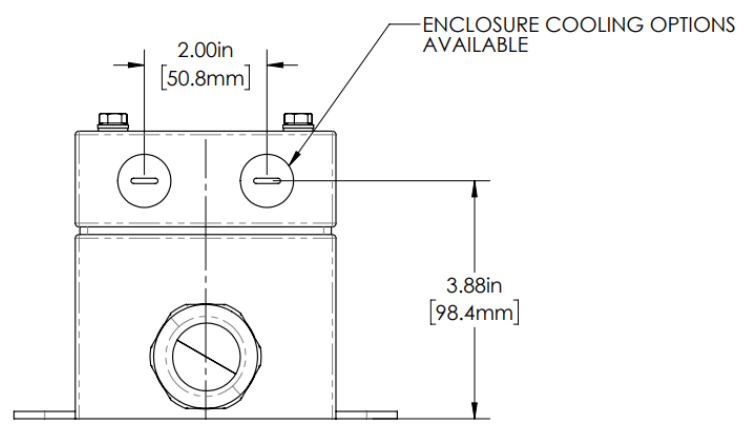
MACHINING		SHEET METAL	
X.X	0.0250"	X.X	0.030"
X.XX	0.0100"	X.XX	0.010"
X.XXX	0.0050"	X.XXX	0.005"
X.XXXX	0.0005"	X.XXX	0.005"
ANGULAR	0.5°	HOLE TO FOLDED EDGE	
DEBURR	ALL	X.X	0.035"
		X.XX	0.025"
		X.XXX	0.015"
		FOLD TO FOLD	
		X.X	0.045"
		X.XX	0.035"
		X.XXX	0.020"
		ANGULAR 1.0°	

APG Vision LLC 4055 Alpha Drive Allison Park, PA 15101 USA Phone +1 (412) 487-8211 apgvision.com			
DESCRIPTION: L7 ENCLOSURE WITH REG UPPER, EXTENDED LOWER & FLUSH MOUNT VIEWPORT FOR COGNEX D900			
MATERIAL: SEE BOM			
FINISH: SEE BOM			
DRAWN BY: DMM	DATE: 9/7/2021	SCALE: 1:3	SHT-SIZE: APPROX. WEIGHT (LBS) B 5.6130
CHECKED BY: DMM	DATE: 9/7/2021	PART NUMBER: L7-EA	REVISION: A
Sheet 1 of 2			

THIS PRINT IS THE PROPERTY OF APG VISION LLC. THE INFORMATION CONTAINED HEREIN IS CONFIDENTIAL. IT IS NOT TO BE TRANSMITTED, REPRODUCED OR USED IN ANY PROCESS OF MANUFACTURING WITHOUT WRITTEN PERMISSION FROM THE OWNER AND IS RETURNABLE UPON DEMAND. ANY VIOLATION OF THE PATENT RIGHTS IS PROHIBITED WHETHER IN PART OR IN WHOLE. TOLERANCES UNLESS OTHERWISE SPECIFIED:



SECTION A-A



SECTION B-B

TOLERANCES UNLESS OTHERWISE SPECIFIED

MACHINING		SHEET METAL	
X.X	0.0250"	HOLE TO HOLE (SAME SURFACE)	X.X
X.XX	0.0100"		X.X
X.XXX	0.0050"		X.XX
X.XXXX	0.0005"		X.XXX
ANGULAR	0.5°	HOLE TO FOLDED EDGE	X.XX
DEBURR ALL			X.XXX
		FOLD TO FOLD	X.X
			X.XX
			X.XXX
			ANGULAR 1.0°

APG Vision LLC
 4055 Alpha Drive
 Allison Park, PA 15101 USA
 Phone +1 (412) 487-8211
 apgvision.com

apgvision

DESCRIPTION:
L7 ENCLOSURE WITH REG UPPER, EXTENDED LOWER & FLUSH MOUNT VIEWPORT FOR COGNEX D900

MATERIAL:
SEE BOM

FINISH: SEE BOM

DRAWN BY: DMM	DATE: 9/7/2021	SCALE: 1:2	SHT-SIZE: B	APPROX. WEIGHT (LBS) 5.6130
CHECKED BY: DMM	DATE: 9/7/2021	PART NUMBER: L7-EA	REVISION: A	

AS PART OF OUR POLICY OF CONTINUING DEVELOPMENT, APG VISION LLC RESERVES THE RIGHT TO ALTER SPECIFICATIONS WITHOUT PRIOR NOTICE.

Sheet 2 of 2