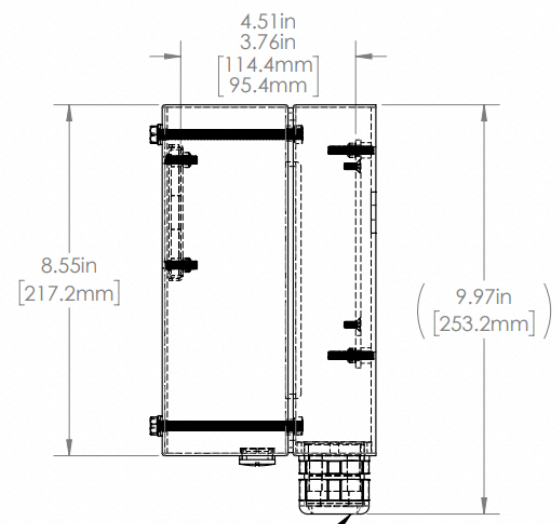
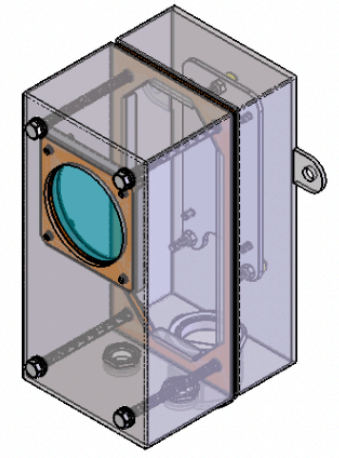


DISTANCE TO WINDOW  
ADJUSTABLE WITH  
PROVIDED SPACERS



REVISIONS				
ZONE	REV.	DESCRIPTION	DATE	APPROVED
	A	RELEASED FOR PRODUCTION	10/1/2021	DMM



**L7 SERIES PROPERTIES TABLE**

<b>ENVIRONMENT RATING</b>	IP68*	
	(*RATING MAY CHANGE IF INSTALLER MILLS CABLE GLAND OUTSIDE OF TOLERANCE)	
<b>COMPONENT</b>	<b>MATERIAL</b>	<b>FINISH</b>
BODY	316 SS	BURNISHED
VIEWPORT	FLOW COAT ACRYLIC	CLEAR ABR2
GASKET	SILICONE	NONE
ARM/ADAPTOR	6061 ALUM	NONE
HARDWARE	316 SS - EXTERNAL, 18-8 SS - INTERNAL	NONE

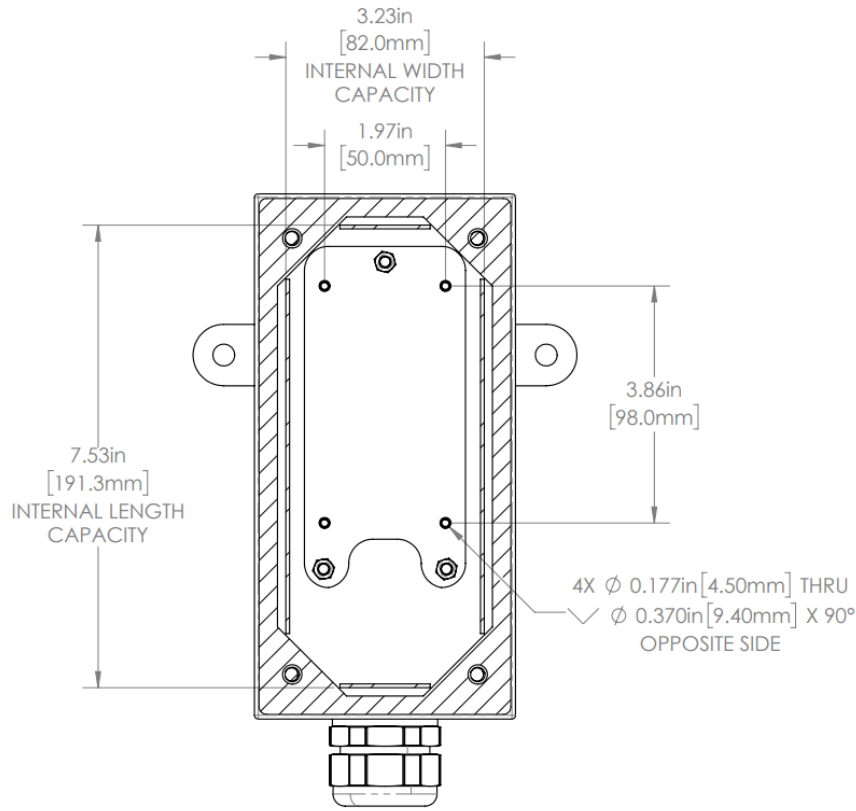


TOLERANCES UNLESS OTHERWISE SPECIFIED	
<b>MACHINING</b>	<b>SHEET METAL</b>
X.X 0.0250"	X.X HOLE TO HOLE (SAME SURFACE)
X.XX 0.0100"	X.XX 0.030"
X.XXX 0.0050"	X.XX 0.010"
X.XXXX 0.0005"	X.XXX 0.005"
ANGULAR 0.5°	<b>HOLE TO FOLDED EDGE</b>
DEBURR-ALL	X.X 0.035"
	X.XX 0.025"
	X.XXX 0.015"
	<b>FOLD TO FOLD</b>
	X.X 0.045"
	X.XX 0.035"
	X.XXX 0.020"
	ANGULAR 1.0°

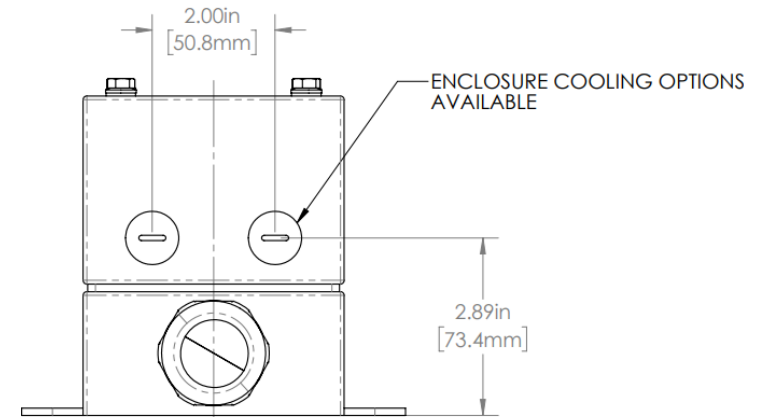
THIS PRINT IS THE PROPERTY OF APG VISION LLC. THE INFORMATION CONTAINED HEREIN IS CONFIDENTIAL. IT IS NOT TRANSFERABLE. IT IS FURNISHED WITH THE CLEAR UNDERSTANDING THAT IT IS NOT TO BE REPRODUCED, COPIED, OR USED IN ANY PROCESS OF MANUFACTURING WITHOUT WRITTEN PERMISSION FROM THE OWNER AND IS RETURNABLE UPON DEMAND. ANY INFRINGEMENT UPON THE PATENT RIGHTS SHOWN HEREIN, WHETHER IN PART OR WHOLE, WILL BE PROSECUTED.

AS PART OF OUR POLICY OF CONTINUING DEVELOPMENT, APG VISION LLC RESERVES THE RIGHT TO ALTER SPECIFICATIONS WITHOUT PRIOR NOTICE.

APG Vision LLC 4055 Alpha Drive Allison Park, PA 15101 USA Phone +1 (412) 487-8211 apgvision.com					
DESCRIPTION: L7 ENCLOSURE WITH EXTENDED UPPER & STANDARD LOWER BODIES FOR COGNEX D900					
MATERIAL: SEE PROPERTIES TABLE					
FINISH: SEE PROPERTIES TABLE					
DRAWN BY: DMM	DATE: 10/1/2021	SCALE: 1:3	SHT-SIZE: B	APPROX. WEIGHT (LBS): 5.8250	
CHECKED BY: DMM	DATE: 10/1/2021	PART NUMBER: L7-ED		REVISION: A	
Sheet 1 of 2					



SECTION A-A



SECTION B-B

TOLERANCES UNLESS OTHERWISE SPECIFIED	
MACHINING	SHEET METAL
X.X 0.0250"	HOLE TO HOLE (SAME SURFACE) X.X 0.030"
X.XX 0.0100"	X.XX 0.010"
X.XXX 0.0050"	X.XXX 0.005"
X.XXXX 0.0005"	HOLE TO FOLDED EDGE X.X 0.035"
ANGULAR 0.5°	X.XX 0.025"
DEBURR ALL	X.XXX 0.015"
	EOLD TO FOLD X.X 0.045"
	X.XX 0.035"
	X.XXX 0.020"
	ANGULAR 1.0°

APG Vision LLC  
4055 Alpha Drive  
Allison Park, PA 15101 USA  
Phone +1 (412) 487-8211  
apgvision.com

**apgvision**

DESCRIPTION:  
L7 ENCLOSURE WITH EXTENDED UPPER &  
STANDARD LOWER BODIES FOR COGNEX D900

MATERIAL: SEE PROPERTIES TABLE

FINISH: SEE PROPERTIES TABLE

DRAWN BY: DMM	DATE: 10/1/2021	SCALE: 1:2	SHT-SIZE: B	APPROX. WEIGHT (LBS) 5.8250
CHECKED BY: DMM	DATE: 10/1/2021	PART NUMBER: L7-ED	REVISION: A	

Sheet2 of 2

THIS PRINT IS THE PROPERTY OF APG VISION LLC. THE INFORMATION CONTAINED HEREIN IS CONFIDENTIAL. IT IS NOT TO BE REPRODUCED, REPRODUCED OR USED IN ANY MANNER WITHOUT THE WRITTEN PERMISSION FROM THE OWNER AND IS RETURNABLE UPON DEMAND. ANY IMPROVEMENT UPON THE PATENT RIGHTS SHOWN HEREIN, WHETHER IN PART OR WHOLE, WILL BE PROSECUTED.

AS PART OF OUR POLICY OF CONTINUING DEVELOPMENT, APG VISION LLC RESERVES THE RIGHT TO ALTER SPECIFICATIONS WITHOUT PRIOR NOTICE.