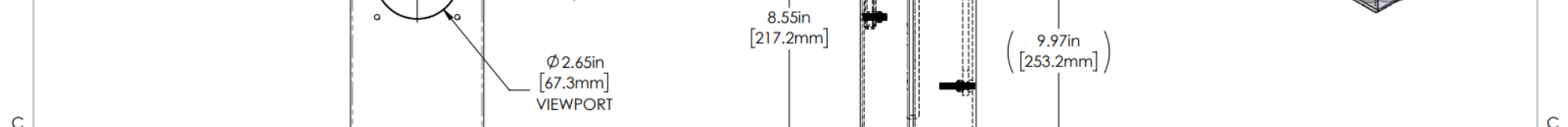
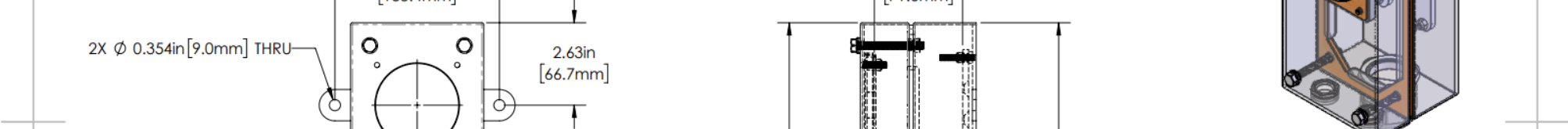
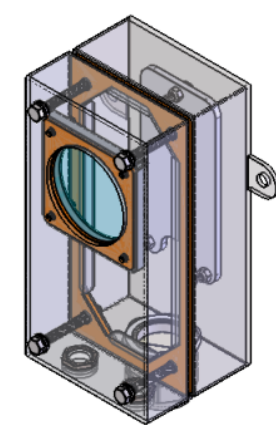
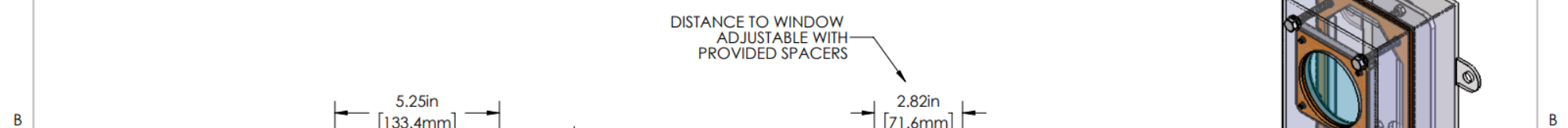


1 2 3 4 5 6



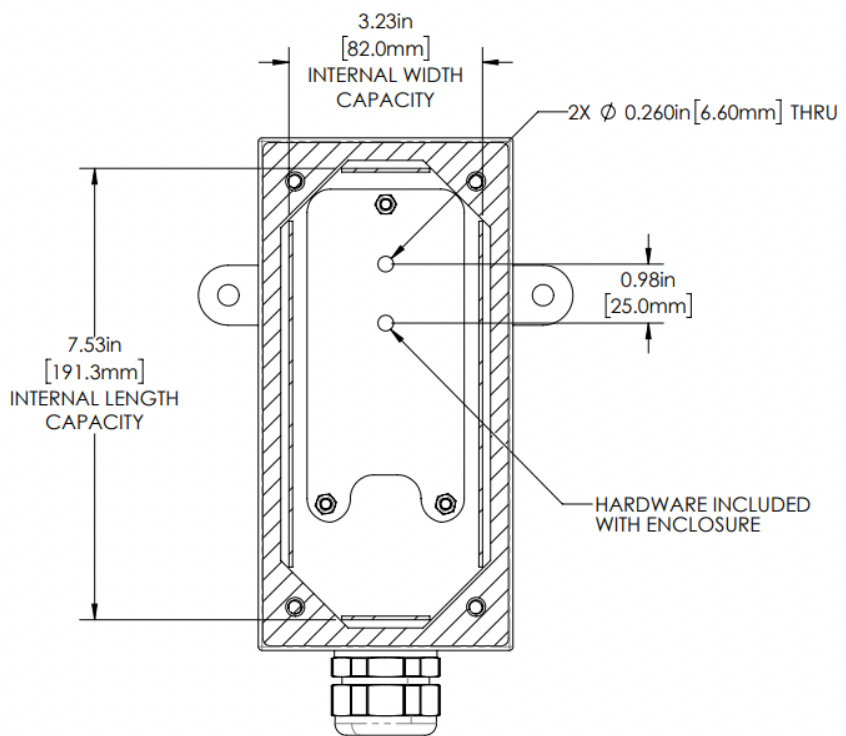
L7 SERIES PROPERTIES TABLE		
ENVIRONMENT RATING	IP68*	
	(*RATING MAY CHANGE IF INSTALLER MILLS CABLE GLAND OUTSIDE OF TOLERANCE)	
COMPONENT	MATERIAL	FINISH
BODY	316 SS	BURNISHED
VIEWPORT	CLEAR FLOW COAT ACRYLIC	ABR2
GASKET	SILICONE	NONE
ARM/ADAPTOR	6061 ALUMINUM	NONE
HARDWARE	316 SS - EXTERNAL 18-8 SS - INTERNAL	NONE



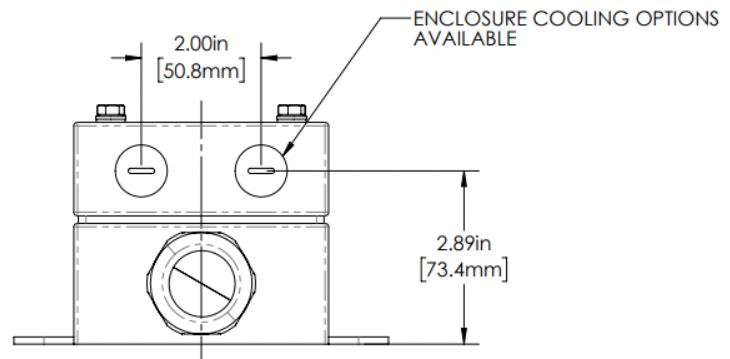
TOLERANCES UNLESS OTHERWISE SPECIFIED	
MACHINING	SHEET METAL
X.X 0.0250"	HOLE TO HOLE (SAME SURFACE) X.X 0.030"
X.XXX 0.0100"	X.XX 0.010"
X.XXXX 0.0050"	X.XXXX 0.005"
X.XXXXX 0.0005"	X.XX 0.025"
ANGULAR 0.5°	X.XX 0.035"
DEBURR ALL	X.XXXX 0.015"
	HOLE TO EDGED EDGE X.XX 0.035"
	X.XX 0.025"
	X.XX 0.045"
	X.XX 0.035"
	X.XXX 0.020"
	ANGULAR 1.0°

APG Vision LLC 4055 Alpha Drive Allison Park, PA 15101 USA Phone +1 (412) 487-8211 apgvision.com				
DESCRIPTION: L7 ENCLOSURE WITH REG UPPER & LOWER BODIES FOR VC NANO Z				
MATERIAL: SEE PROPERTIES TABLE				
FINISH: SEE PROPERTIES TABLE				
DRAWN BY: TWD	DATE: 11/4/2021	SCALE: 1:3	SHY SIZE: B	APPROX. WEIGHT (LBS): 5.1823
CHECKED BY: DMM	DATE: 11/4/2021	PART NUMBER: L7-EK		REVISION: A
Sheet 1 of 2				

1 2 3 4 5 6



SECTION A-A



SECTION B-B

TOLERANCES UNLESS OTHERWISE SPECIFIED

MACHINING		SHEET METAL	
X.X	0.0250"	HOLE TO HOLE (SAME SURFACE)	X.X
X.XX	0.0100"	X.X	0.030"
X.XXX	0.0050"	X.XX	0.010"
X.XXXX	0.0005"	X.XXX	0.005"
ANGULAR	0.5°	HOLE TO FOLDED EDGE	X.X
DEBURR ALL		X.XX	0.035"
		X.XXX	0.025"
			X.XXX
		FOLD TO FOLD	X.X
		X.XX	0.045"
		X.XXX	0.035"
		X.XXX	0.020"
		ANGULAR	1.0°

THIS PRINT IS THE PROPERTY OF APG VISION LLC. THE INFORMATION CONTAINED HEREIN IS CONFIDENTIAL. IT IS NOT TO BE REPRODUCED, COPIED, OR USED IN ANY MANNER WITHOUT WRITTEN PERMISSION FROM THE OWNER AND IS RETURNABLE UPON DEMAND. ANY INFRINGEMENT UPON THE PATENT RIGHTS SHOWN HEREIN, WHETHER IN PART OR WHOLE, WILL BE PROSECUTED.

AS PART OF OUR POLICY OF CONTINUING DEVELOPMENT, APG VISION LLC RESERVES THE RIGHT TO ALTER SPECIFICATIONS WITHOUT PRIOR NOTICE.

APG Vision LLC 4055 Alpha Drive Allison Park, PA 15101 USA Phone +1 (412) 487-8211 apgvision.com			
<b>DESCRIPTION:</b> L7 ENCLOSURE WITH REG UPPER & LOWER BODIES FOR VC NANO Z			
<b>MATERIAL:</b> SEE PROPERTIES TABLE			
<b>FINISH:</b> SEE PROPERTIES TABLE			
<b>DRAWN BY:</b> TWD	<b>DATE:</b> 11/4/2021	<b>SCALE:</b> 1:2	<b>APPROX. WEIGHT (LBS):</b> B 5.1823
<b>CHECKED BY:</b> DMM	<b>DATE:</b> 11/4/2021	<b>PART NUMBER:</b> L7-EK	<b>REVISION:</b> A