

REVISIONS				
ZONE	REV.	DESCRIPTION	DATE	APPROVED
	A	RELEASED FOR PRODUCTION	11/4/2021	DMM

**L7 SERIES PROPERTIES TABLE**

<b>ENVIRONMENT RATING</b>	IP68*	
	[*RATING MAY CHANGE IF INSTALLER MILLS CABLE GLAND OUTSIDE OF TOLERANCE]	
<b>COMPONENT</b>	<b>MATERIAL</b>	<b>FINISH</b>
BODY	316 SS	BURNISHED
VIEWPORT	CLEAR FLOW COAT ACRYLIC	ABR2
GASKET	SILICONE	NONE
ARM/ADAPTOR	6061 ALUMINUM	NONE
HARDWARE	316 SS - EXTERNAL 18-8 SS - INTERNAL	NONE

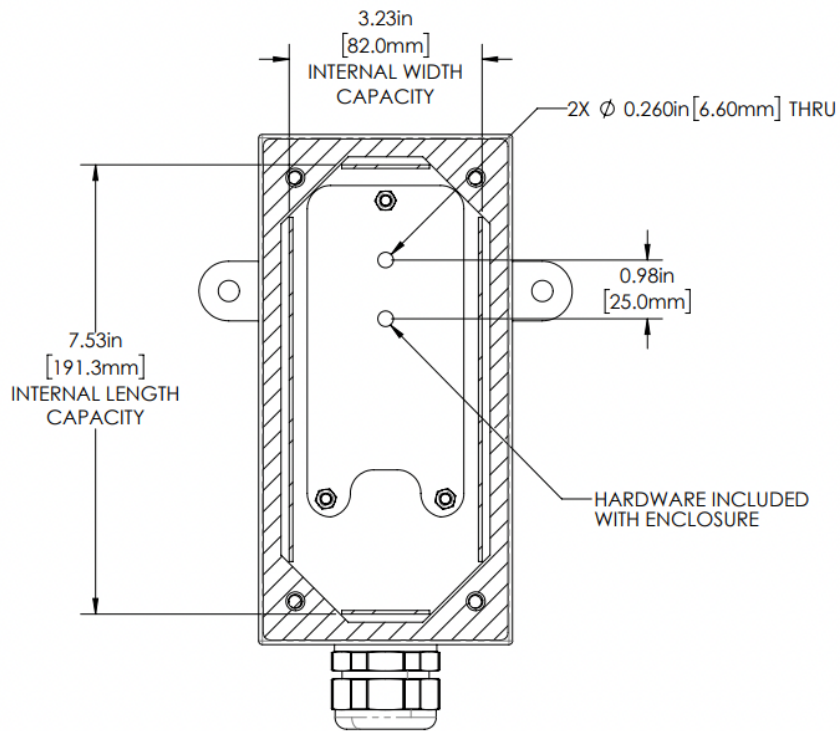


MACHINING		SHEET METAL	
X.X	0.0250"	HOLE TO HOLE (SAME SURFACE)	X.X
X.XXX	0.0100"		X.X
X.XXXX	0.0050"		X.XXX
X.XXXXX	0.0005"		X.XXXX
ANGULAR	0.5°	HOLE TO FOLDED EDGE	X.X
DEBURR	ALL		X.XX
		FOLD TO FOLD	X.XXXX
			X.X
			X.XX
			X.XXXX
			ANGULAR 1.0°

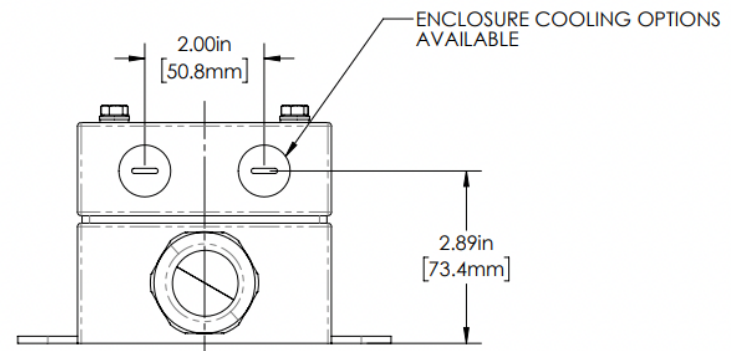
APG Vision LLC 4055 Alpha Drive Allison Park, PA 15101 USA Phone +1 (412) 487-8211 apgvision.com				
DESCRIPTION: L7 ENCLOSURE WITH REG UPPER & LOWER BODIES FOR VC NANO Z				
MATERIAL: SEE PROPERTIES TABLE				
FINISH: SEE PROPERTIES TABLE				
DRAWN BY: TWD	DATE: 11/4/2021	SCALE: 1:3	BRT-SIZE: B	APPROX. WEIGHT (LBS): 5.1823
CHECKED BY: DMM	DATE: 11/4/2021	PART NUMBER: L7-EK		REVISION: A
Sheet 1 of 2				

THIS PRINT IS THE PROPERTY OF APG VISION LLC. THE INFORMATION CONTAINED HEREIN IS CONFIDENTIAL. IT IS NOT TO BE REPRODUCED, COPIED, TRANSMITTED, OR DISSEMINATED IN ANY MANNER WITHOUT WRITTEN PERMISSION FROM THE OWNER AND IS RETURNABLE UPON DEMAND. ANY INFRINGEMENT UPON THE PATENT RIGHTS SHOWN HEREIN, WHETHER IN PART OR WHOLE, WILL BE PROSECUTED.

AS PART OF OUR POLICY OF CONTINUING DEVELOPMENT, APG VISION LLC RESERVES THE RIGHT TO ALTER SPECIFICATIONS WITHOUT PRIOR NOTICE.



SECTION A-A



SECTION B-B

TOLERANCES UNLESS OTHERWISE SPECIFIED

MACHINING	SHEET METAL
XX 0.0250"	X.X 0.030"
X.XX 0.0100"	X.XX 0.010"
X.XXX 0.0050"	X.XXX 0.005"
X.XXXX 0.0005"	X.XXXX 0.005"
ANGULAR 0.5°	HOLE TO EDGE/EDGE
DEBURR ALL	X.X 0.035"
	X.XX 0.025"
	X.XXX 0.015"
	HOLE TO HOLE (SAME SURFACE)
	X.X 0.030"
	X.XX 0.010"
	X.XXX 0.005"
	SOLO TO SOLO
	X.X 0.045"
	X.XX 0.035"
	X.XXX 0.020"
	ANGULAR 1.0°



APG Vision LLC 4055 Alpha Drive Allison Park, PA 15101 USA Phone +1 (412) 487-8211 apgvision.com				
DESCRIPTION: <b>L7 ENCLOSURE WITH REG UPPER &amp; LOWER BODIES FOR VC NANO Z</b>				
MATERIAL: SEE PROPERTIES TABLE				
FINISH: SEE PROPERTIES TABLE				
DRAWN BY:	DATE:	SCALE:	DRY-SIZE:	APPROX. WEIGHT (LBS)
TWD	11/4/2021	1:2	B	5.1823
CHECKED BY:	DATE:	PART NUMBER:		REVISION
DMM	11/4/2021	L7-EK		A
AS PART OF OUR POLICY OF CONTINUING DEVELOPMENT, APG VISION LLC RESERVES THE RIGHT TO ALTER SPECIFICATIONS WITHOUT PRIOR NOTICE.				

