

1 2 3 4 5 6

A

B

C

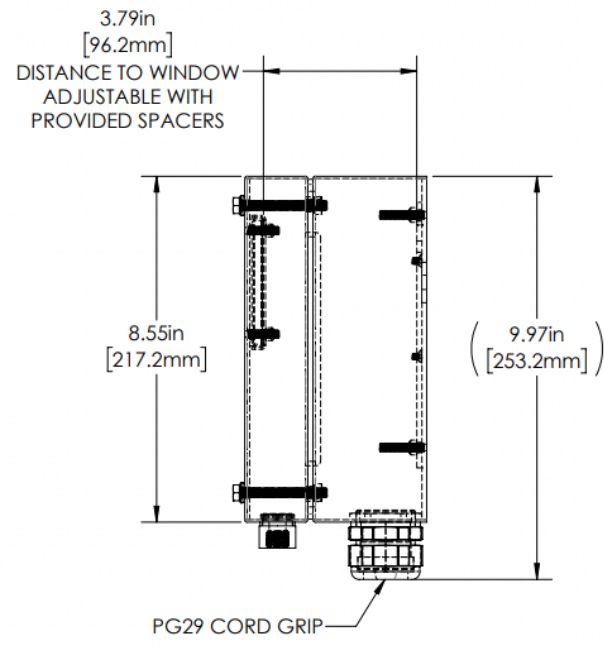
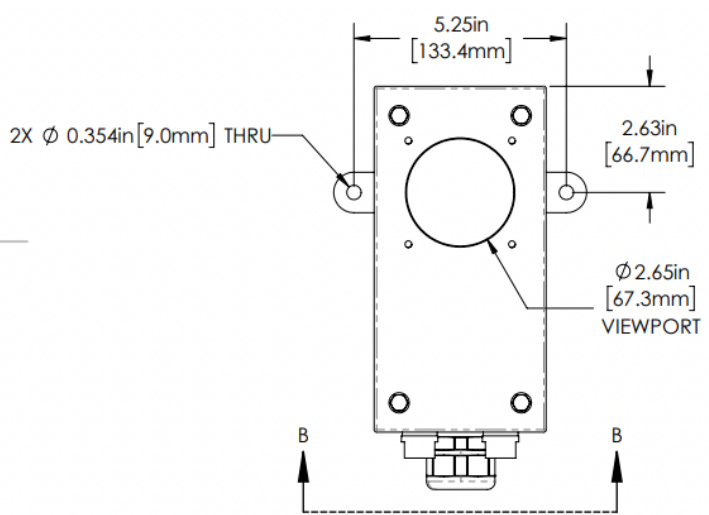
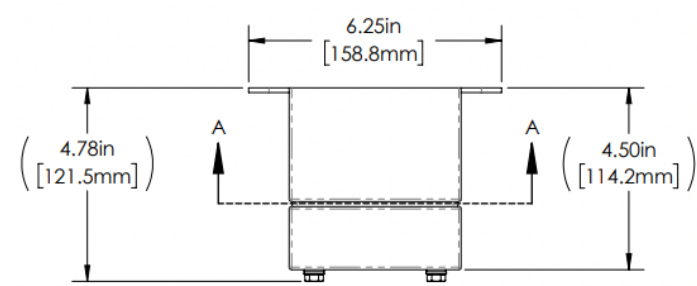
D

A

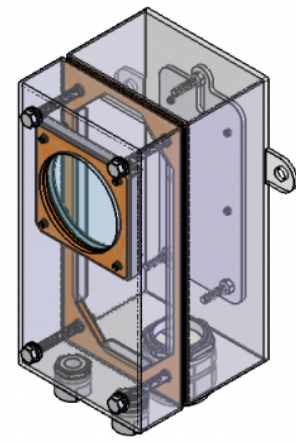
B

C

D



REVISIONS				
ZONE	REV.	DESCRIPTION	DATE	APPROVED
	A	RELEASED FOR PRODUCTION	2/15/2022	DMM



L7 SERIES PROPERTIES TABLE		
ENVIRONMENT RATING	IP68*	
	[*RATING MAY CHANGE IF INSTALLER MILLS CABLE GLAND OUTSIDE OF TOLERANCE]	
COMPONENT	MATERIAL	FINISH
BODY	316 SS	BURNISHED
VIEWPORT	SODA LIME GLASS	NONE
GASKET	SILICONE	NONE
ARM/ADAPTOR	6061 ALUMINUM	NONE
HARDWARE	316 SS - EXTERNAL, 18-8 SS - INTERNAL	NONE



MACHINING		SHEET METAL	
XX	0.0250"	HOLE TO HOLE (SAME SURFACE)	XX
XXXX	0.0100"	XX	0.030"
XXXX	0.0050"	XXXX	0.010"
XXXXX	0.0005"	XXXX	0.005"
ANGULAR	0.5°	HOLE TO EDGE/LENGE	XX
DEBURR	ALL	XX	0.035"
		XXXX	0.025"
		XXXX	0.015"
		SOLD TO EDGE	XX
		XX	0.045"
		XX	0.035"
		XXXX	0.020"
		ANGULAR	1.0°

APG Vision LLC 4055 Alpha Drive Allison Park, PA 15101 USA Phone +1 (412) 487-8211 apgvision.com				<b>apgvision</b>
DESCRIPTION: <b>L7 ENCLOSURE FOR SIEMENS MV560X WITH 6GF3560-8EA01-0FF0 LENS</b>				
MATERIAL: <b>SEE PROPERTIES TABLE</b>				
FINISH: <b>SEE PROPERTIES TABLE</b>				
DRAWN BY: GAS	DATE: 2/14/2022	SCALE: 1:3	SH- SIZE: B	APPROX. WEIGHT (LBS): 6.5975
CHECKED BY: DMM	DATE: 2/15/2022	PART NUMBER: <b>L7-EM</b>		REVISION: A
AS PART OF OUR POLICY OF CONTINUING DEVELOPMENT, APG VISION LLC RESERVES THE RIGHT TO ALTER SPECIFICATIONS WITHOUT PRIOR NOTICE.				Sheet 1 of 2

1 2 3 4 5 6

1 2 3 4 5 6

A

B

C

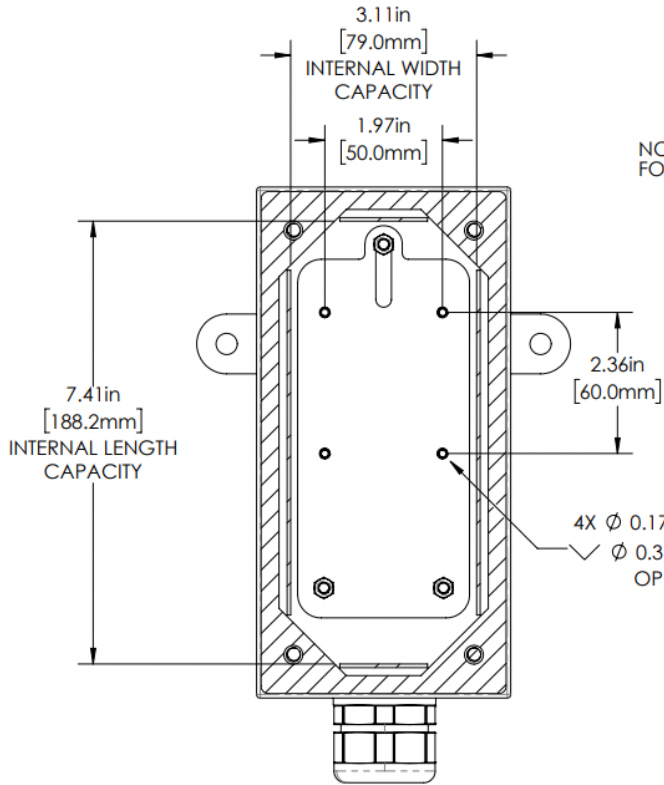
D

A

B

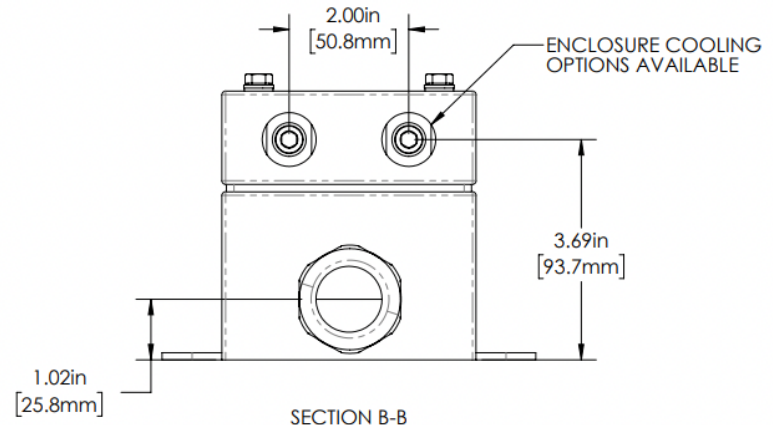
C

D



NOTE: CAMERA & LENS HIDDEN FOR CLARITY

SECTION A-A



SECTION B-B

TOLERANCES UNLESS OTHERWISE SPECIFIED	
<b>MACHINING</b>	<b>SHEET METAL</b>
X.X 0.0250"	HOLE TO HOLE (SAME SURFACE)
X.XX 0.0100"	X.X 0.030"
X.XXX 0.0050"	X.XX 0.010"
X.XXXX 0.0005"	X.XXX 0.005"
ANGULAR 0.5°	HOLE TO FOLDED EDGE
DEBURR ALL	X.X 0.035"
	X.XX 0.025"
	X.XXX 0.015"
	FOLD TO FOLD
	X.X 0.045"
	X.XX 0.035"
	X.XXX 0.020"
	ANGULAR 1.0°

APG Vision LLC 4055 Alpha Drive Allison Park, PA 15101 USA Phone +1 (412) 487-8211 apgvision.com			
DESCRIPTION: <b>L7 ENCLOSURE FOR SIEMENS MV560X WITH 6GF3560-8EA01-0FF0 LENS</b>			
MATERIAL: SEE PROPERTIES TABLE			
FINISH: SEE PROPERTIES TABLE			
DRAWN BY:	DATE:	SCALE:	APPROX. WEIGHT (LBS)
GAS	2/14/2022	1:2	B 6.5975
CHECKED BY:	DATE:	PART NUMBER:	REVISION:
DMM	2/15/2022	L7-EM	A
Sheet of 2			

1 2 3 4 5 6