

REVISIONS				
ZONE	REV.	DESCRIPTION	DATE	APPROVED
	A	RELEASED FOR PRODUCTION	2/15/2022	DMM

L7 SERIES PROPERTIES TABLE		
ENVIRONMENT RATING	IP68*	
	[*RATING MAY CHANGE IF INSTALLER MILLS CABLE GLAND OUTSIDE OF TOLERANCE]	
COMPONENT	MATERIAL	FINISH
BODY	316 SS	BURNISHED
VIEWPORT	SODA LIME GLASS	NONE
GASKET	SILICONE	NONE
ARM/ADAPTOR	6061 ALUMINUM	NONE
HARDWARE	316 SS - EXTERNAL, 18-8 SS - INTERNAL	NONE

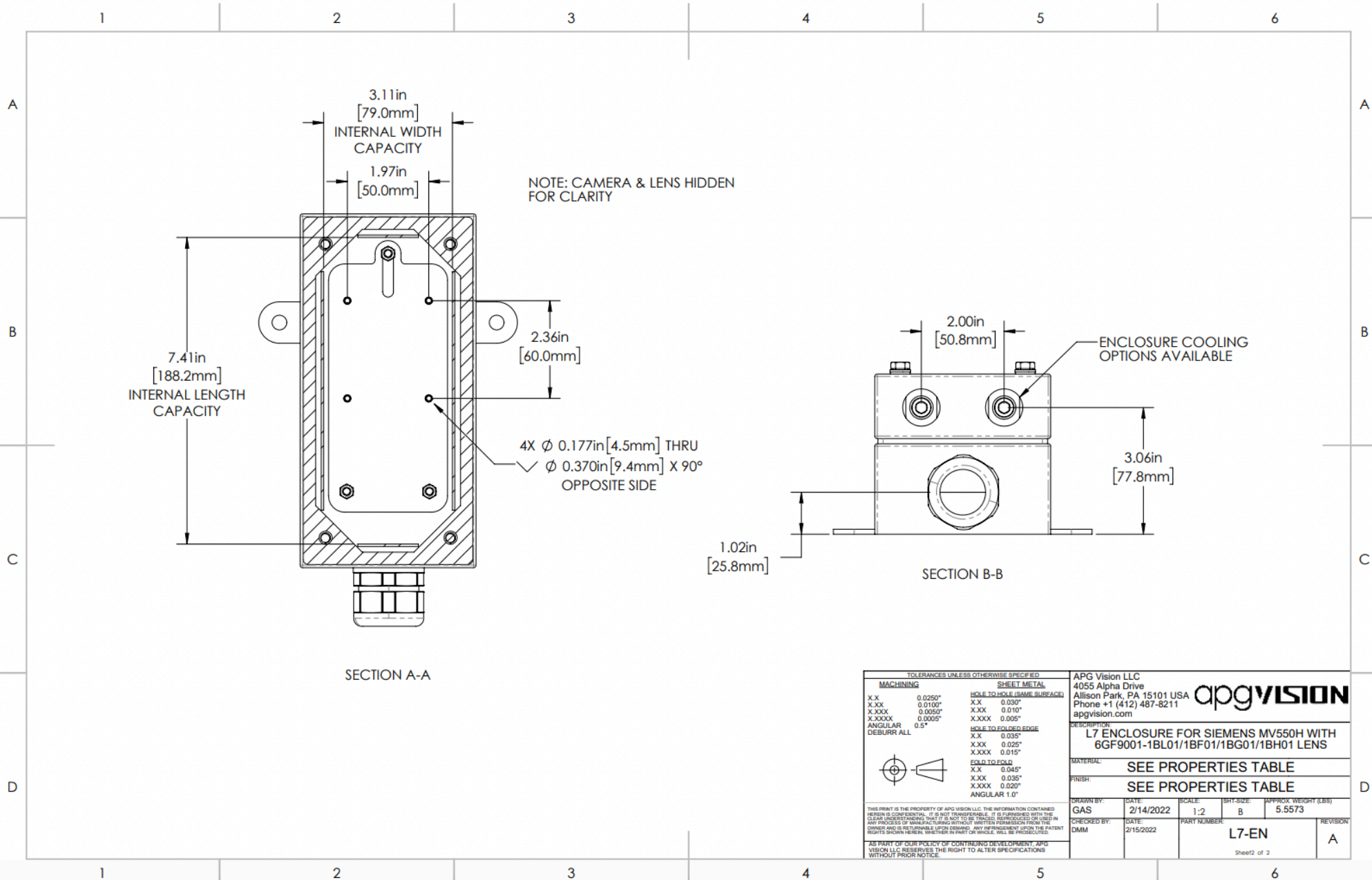


TOLERANCES UNLESS OTHERWISE SPECIFIED	
MACHINING	SHEET METAL
X.X 0.0250"	HOLE TO HOLE (SAME SURFACE) X.X 0.030"
X.XX 0.0100"	X.XX 0.010"
X.XXX 0.0050"	X.XXX 0.010"
X.XXXX 0.0005"	X.XXX 0.005"
ANGULAR 0.5°	HOLE TO FOLDED EDGE X.X 0.035"
DEBURR ALL	X.XX 0.025"
	X.XXX 0.015"
	FOLD TO FOLD X.X 0.045"
	X.XX 0.035"
	X.XXX 0.020"
	ANGULAR 1.0°

APG Vision LLC 4055 Alpha Drive Allison Park, PA 15101 USA Phone +1 (412) 487-8211 apgvision.com			
DESCRIPTION: L7 ENCLOSURE FOR SIEMENS MV550H WITH 6GF9001-1BL01/1BF01/1BG01/1BH01 LENS			
MATERIAL: SEE PROPERTIES TABLE			
FINISH: SEE PROPERTIES TABLE			
DRAWN BY: GAS	DATE: 2/14/2022	SCALE: 1:3	APPROX. WEIGHT (LBS): 5.5573
CHECKED BY: DMM	DATE: 2/15/2022	PART NUMBER: L7-EN	REVISION: A
Sheet 1 of 2			

THIS PRINT IS THE PROPERTY OF APG VISION LLC. THE INFORMATION CONTAINED HEREIN IS CONFIDENTIAL. IT IS NOT TRANSFERABLE. IT IS FURNISHED WITH THE CLEAR UNDERSTANDING THAT IT IS NOT TO BE TRACED, REPRODUCED OR USED IN ANY PROCESS OF MANUFACTURING WITHOUT WRITTEN PERMISSION FROM THE OWNER AND IS RETURNABLE UPON DEMAND. ANY INFRINGEMENT UPON THE PATENT RIGHTS SHOWN HEREIN, WHETHER IN PART OR WHOLE, WILL BE PROSECUTED.

AS PART OF OUR POLICY OF CONTINUING DEVELOPMENT, APG VISION LLC RESERVES THE RIGHT TO ALTER SPECIFICATIONS WITHOUT PRIOR NOTICE.




NOTE: CAMERA & LENS HIDDEN FOR CLARITY

ENCLOSURE COOLING OPTIONS AVAILABLE

SECTION A-A

SECTION B-B

TOLERANCES UNLESS OTHERWISE SPECIFIED:		SHEET METAL		APG Vision LLC 4055 Alpha Drive Allison Park, PA 15101 USA Phone +1 (412) 487-8211 apgvision.com	
MACHINING		HOLE TO HOLE (SAME SURFACE)		 DESCRIPTION: L7 ENCLOSURE FOR SIEMENS MV550H WITH 6GF9001-1BL01/1BF01/1BG01/1BH01 LENS MATERIAL: SEE PROPERTIES TABLE FINISH: SEE PROPERTIES TABLE DRAWN BY: GAS DATE: 2/14/2022 SCALE: 1:2 SHR. SIZE: B APPROX. WEIGHT (LBS): 5.5573 CHECKED BY: DMM DATE: 2/15/2022 PART NUMBER: L7-EN REVISION: A Sheet 2 of 2	
X.X	0.0250"	X.X	0.030"		
X.XX	0.0100"	X.XX	0.010"		
X.XXX	0.0050"	X.XXX	0.010"		
X.XXXX	0.0005"	X.XXXX	0.005"		
ANGULAR	0.5°	ANGULAR	0.005°		
DEBURR	ALL	HOLE TO EQUIDIST. EDGE			
		X.X	0.035"		
		X.XX	0.025"		
		X.XXXX	0.015"		
		EDGE TO EDGE			
		X.X	0.045"		
		X.XX	0.035"		
		X.XXXX	0.020"		
		ANGULAR	1.0°		
<small>THIS PRINT IS THE PROPERTY OF APG VISION LLC. THE INFORMATION CONTAINED HEREIN IS CONFIDENTIAL. IT IS NOT TO BE REPRODUCED, COPIED, OR TRANSMITTED IN ANY FORM OR BY ANY MEANS, ELECTRONIC OR MECHANICAL, INCLUDING PHOTOCOPYING, RECORDING, OR BY ANY INFORMATION STORAGE AND RETRIEVAL SYSTEM, WITHOUT THE WRITTEN PERMISSION OF APG VISION LLC. ANY UNAUTHORIZED USE OR DISSEMINATION OF THIS INFORMATION IS PROHIBITED AND WILL BE PROSECUTED TO THE FULL EXTENT OF THE LAW.</small>					
<small>AS PART OF OUR POLICY OF CONTINUING DEVELOPMENT, APG VISION LLC RESERVES THE RIGHT TO ALTER SPECIFICATIONS WITHOUT PRIOR NOTICE.</small>					