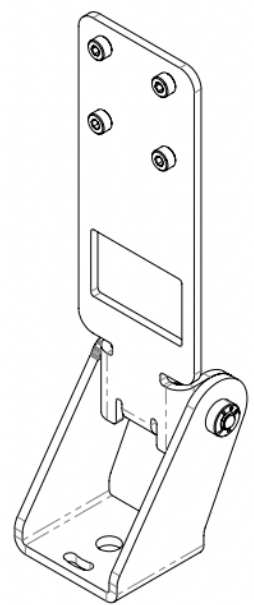
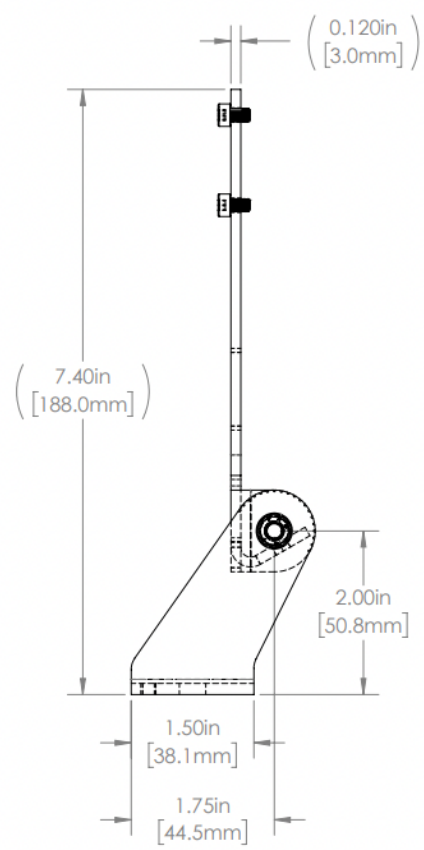
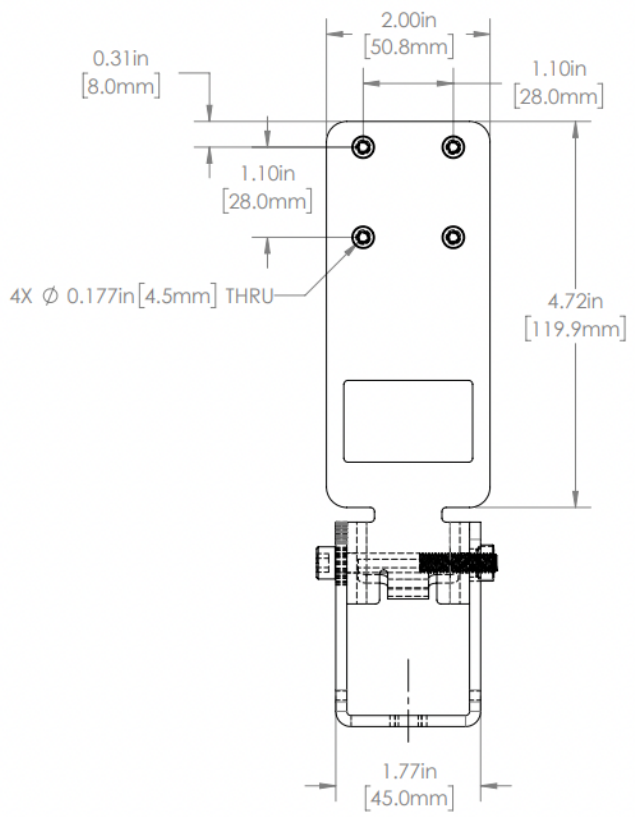


REVISIONS				
ZONE	REV.	DESCRIPTION	DATE	APPROVED
	A	RELEASED FOR PRODUCTION	11/18/2021	DMM



PTU SERIES PROPERTIES TABLE		
COMPONENT	MATERIAL	FINISH
BASE/ADAPTER	304 STAINLESS STEEL	BURNISHED
HARDWARE	18-8 SS	NONE

TOLERANCES UNLESS OTHERWISE SPECIFIED	
MACHINING	SHEET METAL
X.X	0.0250"
X.XX	0.0100"
X.XXX	0.0050"
X.XXXX	0.0005"
ANGULAR	0.5°
DEBURR	ALL
	HOLE TO HOLE (SAME SURFACE)
X.X	0.030"
X.XX	0.010"
X.XXX	0.005"
	HOLE TO HOLE (EDGE)
X.X	0.035"
X.XX	0.025"
X.XXX	0.015"
	EDGE TO EDGE
X.X	0.045"
X.XX	0.035"
X.XXX	0.020"
	ANGULAR 1.0°

THIS PRINT IS THE PROPERTY OF APG VISION LLC. THE INFORMATION CONTAINED HEREIN IS CONFIDENTIAL. IT IS NOT TO BE REPRODUCED, COPIED, OR USED IN ANY MANNER WITHOUT THE WRITTEN PERMISSION FROM THE OWNER AND IS RETURNABLE UPON DEMAND. ANY INFRINGEMENT UPON THE PATENT RIGHTS SHOWN HEREIN, WHETHER IN PART OR WHOLE, WILL BE PROSECUTED.

AS PART OF OUR POLICY OF CONTINUING DEVELOPMENT, APG VISION LLC RESERVES THE RIGHT TO ALTER SPECIFICATIONS WITHOUT PRIOR NOTICE.

APG Vision LLC
4055 Alpha Drive
Allison Park, PA 15101 USA
Phone +1 (412) 487-8211
apgvision.com

apgvision

DESCRIPTION:
PAN AND TILT MOUNT ASSEMBLY (KEYENCE SR-2000 UPRIGHT)

MATERIAL: SEE BOM

FINISH: SEE BOM

DRAWN BY: TWD DATE: 11/18/2021 SCALE: 2:3 SHT-SIZE: B APPROX. WEIGHT (LBS): 0.7562

CHECKED BY: DMM DATE: 11/18/2021 PART NUMBER: PTU-BX REVISION: A

Sheet 1 of 1

1 2 3 4 5 6