

1 2 3 4 5 6

A

B

C

D

A

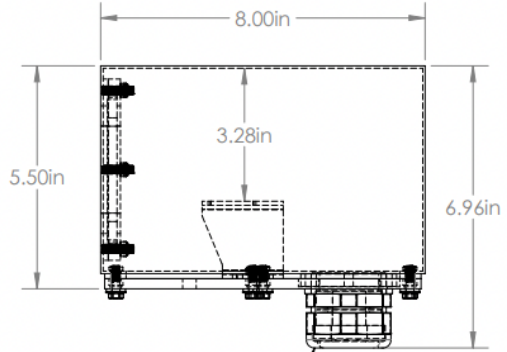
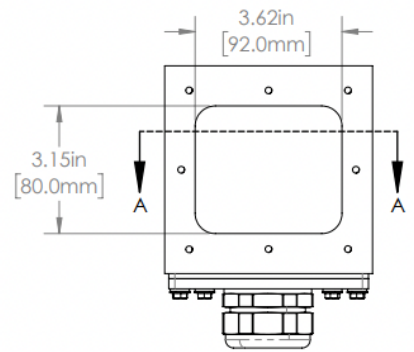
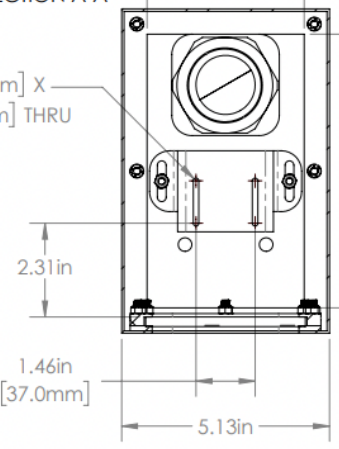
B

C

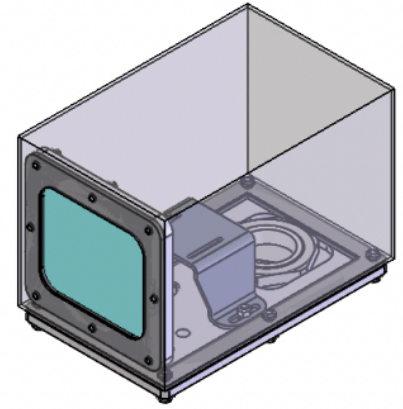
D

SECTION A-A

2X
0.134in [3.40mm] X
1.181in [30.00mm] THRU



REVISIONS				
ZONE	REV.	DESCRIPTION	DATE	APPROVED
	A	REDRAWN RELEASED FOR PRODUCTION	2/16/2022	DMM



42S SERIES PROPERTIES TABLE

ENVIRONMENT RATING	IP68*	
	(*RATING MAY CHANGE IF INSTALLER MILLS CABLE GLAND OUTSIDE OF TOLERANCE)	
COMPONENT	MATERIAL	FINISH
BODY/BASE	316 SS	BURNISHED
VIEWPORT	SODA LIME GLASS	AS SUPPLIED
GASKET	VITON	NONE
ARM/ADAPTOR	5052 ALUMINUM	NONE
HARDWARE	316 SS - EXTERNAL, 18-8 SS - INTERNAL	NONE

NOTE: NOT SUITABLE FOR FOOD-GRADE/FDA WASHDOWN ENVIRONMENT

MACHINING		SHEET METAL	
X.X	0.0250"	HOLE TO HOLE (SAME SURFACE)	X.X
X.XX	0.0100"		X.X
X.XXX	0.0050"		X.XXX
X.XXXX	0.0005"		X.XXXX
ANGULAR	0.5°	HOLE TO FOLDED EDGE	X.X
DEBURR	ALL		X.XXX
			X.XXX
		FOLD TO FOLD	X.X
			X.XXX
			X.XXX
			X.XXXX
			ANGULAR: 1.0°

APG Vision LLC
4055 Alpha Drive
Allison Park, PA 15101 USA
Phone +1 (412) 487-8211
apgvision.com

DESCRIPTION:
42S ENCLOSURE WITH GLASS VIEWPORT AND VITON SEALS
SEE PROPERTIES TABLE

MATERIAL:
FINISH:
SEE PROPERTIES TABLE

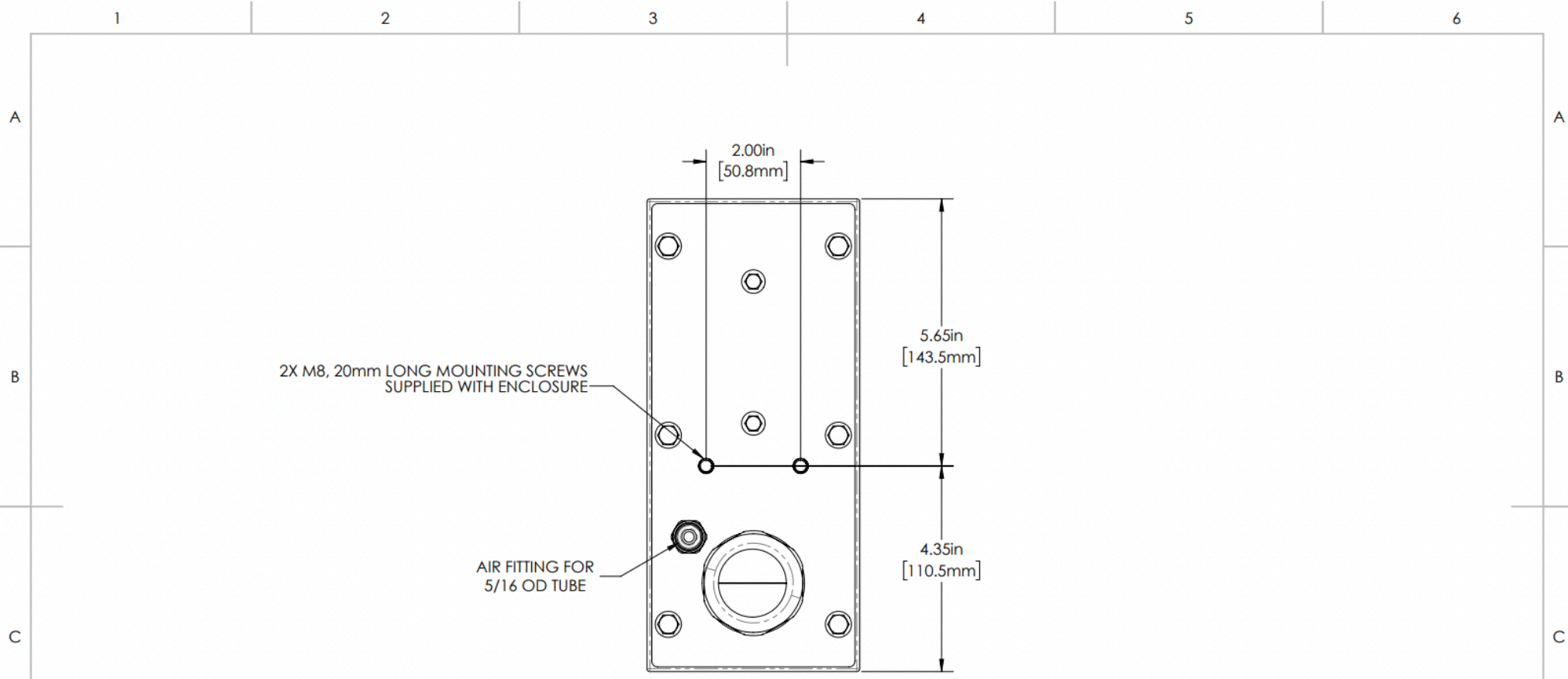
DRAWN BY:	DATE:	SCALE:	BHT-SIZE:	APPROX. WEIGHT (LBS)
TWD	2/16/2022	1:3	B	6.5230
CHECKED BY:	DATE:	PART NUMBER:		REVISION
DMM	2/16/2022	42S-BD		A

THIS PRINT IS THE PROPERTY OF APG VISION LLC. THE INFORMATION CONTAINED HEREIN IS CONFIDENTIAL. IT IS NOT TO BE REPRODUCED, COPIED, OR USED IN ANY PROCESS OF MANUFACTURING WITHOUT WRITTEN PERMISSION FROM THE OWNER AND IS RETURNABLE UPON DEMAND. ANY INFRINGEMENT UPON THE PATENT RIGHTS ISHOWN HEREIN, WHETHER IN PART OR WHOLE, WILL BE PROSECUTED.

AS PART OF OUR POLICY OF CONTINUING DEVELOPMENT, APG VISION LLC RESERVES THE RIGHT TO ALTER SPECIFICATIONS WITHOUT PRIOR NOTICE.



1 2 3 4 5 6



TOLERANCES UNLESS OTHERWISE SPECIFIED

MACHINING		SHEET METAL	
X.X	0.0250"	HOLE TO HOLE (SAME SURFACE)	X.X 0.030"
X.XX	0.0100"		X.XX 0.010"
X.XXX	0.0050"		X.XXX 0.005"
X.XXXX	0.0005"		X.XXXX 0.0005"
ANGULAR	0.5°	HOLE TO FOLDED EDGE	X.X 0.035"
DEBURR	ALL		X.XX 0.025"
			X.XXXX 0.015"
		EDGE TO EDGE	X.X 0.045"
			X.XX 0.035"
			X.XXXX 0.020"
		ANGULAR	1.0°

APG Vision LLC
4055 Alpha Drive
Allison Park, PA 15101 USA
Phone +1 (412) 487-8211
apgvision.com

DESCRIPTION:
42S 10IN ENCLOSURE WITH ACFP & PG36 CORD GRIP FOR DM474

MATERIAL:
SEE BOM

FINISH:
SEE BOM

DRAWN BY: GAS	DATE: 1/3/2022	SCALE: 1:2	BHT-SIZE: B	APPROX. WEIGHT (LBS): 6.6258
CHECKED BY: DMM	DATE: 1/4/2022	PART NUMBER: 42S-AY		REVISION: A

Sheet 2 of 2

THIS PRINT IS THE PROPERTY OF APG VISION LLC. THE INFORMATION CONTAINED HEREIN IS CONFIDENTIAL. IT IS NOT TO BE TRACED, REPRODUCED OR USED IN ANY PROCESS OF MANUFACTURING WITHOUT WRITTEN PERMISSION FROM THE OWNER AND IS RETURNABLE UPON DEMAND. ANY VIOLATION OF THE PATENT RIGHTS SHOWN HEREIN, WHETHER IN PART OR WHOLE, WILL BE PROSECUTED.

AS PART OF OUR POLICY OF CONTINUING DEVELOPMENT, APG VISION LLC RESERVES THE RIGHT TO ALTER SPECIFICATIONS WITHOUT PRIOR NOTICE.