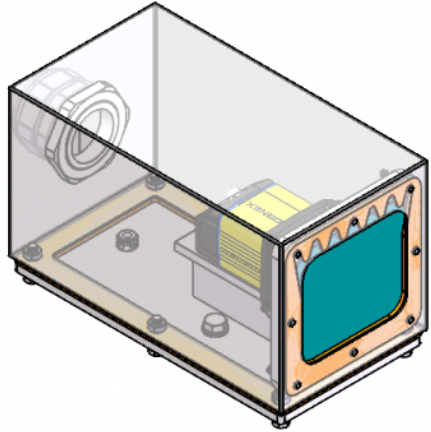


REVISIONS				
ZONE	REV.	DESCRIPTION	DATE	APPROVED
	A	RELEASED FOR PRODUCTION	11/3/2021	GAS
	B	REPLACED 201007 WITH 200523 ADDED 51055K14	1/26/2022	DMM



42S SERIES PROPERTIES TABLE		
ENVIRONMENT RATING	IP52*	
	(*RATING MAY CHANGE IF INSTALLER MILLS CABLE GLAND OUTSIDE OF TOLERANCE)	
COMPONENT	MATERIAL	FINISH
BODY/BASE	316 SS	BURNISHED
VIEWPORT	CLEAR ACRYLIC	ABR2
GASKET	SILICONE	NONE
ARM/ADAPTOR	6061 ALUMINUM	NONE
HARDWARE	316 SS - EXTERNAL, 18-8 SS - INTERNAL	NONE



TOLERANCES UNLESS OTHERWISE SPECIFIED	
MACHINING	SHEET METAL
X.X 0.0250"	HOLE TO HOLE (SAME SURFACE)
X.XX 0.0100"	XX 0.030"
X.XXX 0.0050"	XXX 0.010"
X.XXXX 0.0005"	XXXX 0.005"
ANGULAR 0.5°	HOLE TO FOLDED EDGE
DEBURR ALL	XX 0.035"
	XXX 0.025"
	XXXX 0.015"
	FOLD TO FOLD
	XX 0.045"
	XXX 0.035"
	XXXX 0.020"
	ANGULAR 1.0°

APG Vision LLC 4055 Alpha Drive Allison Park, PA 15101 USA Phone +1 (412) 487-8211 apgvision.com			
DESCRIPTION: <b>42S 9.5IN EXTENDED ENCLOSURE, ACRYLIC VIEWPORT, 37mm O.C. ARM</b>			
MATERIAL: <b>SEE BOM</b>			
FINISH: <b>SEE BOM</b>			
DRAWN BY: GAS	DATE: 11/3/2021	SCALE: 1:3	APPROX. WEIGHT (LBS): 8.407
CHECKED BY: DMM	DATE: 11/3/2021	PART NUMBER: <b>42S-BI</b>	REVISION: B
AS PART OF OUR POLICY OF CONTINUING DEVELOPMENT, APG VISION LLC RESERVES THE RIGHT TO ALTER SPECIFICATIONS WITHOUT PRIOR NOTICE.			
Sheet 1 of 1			