

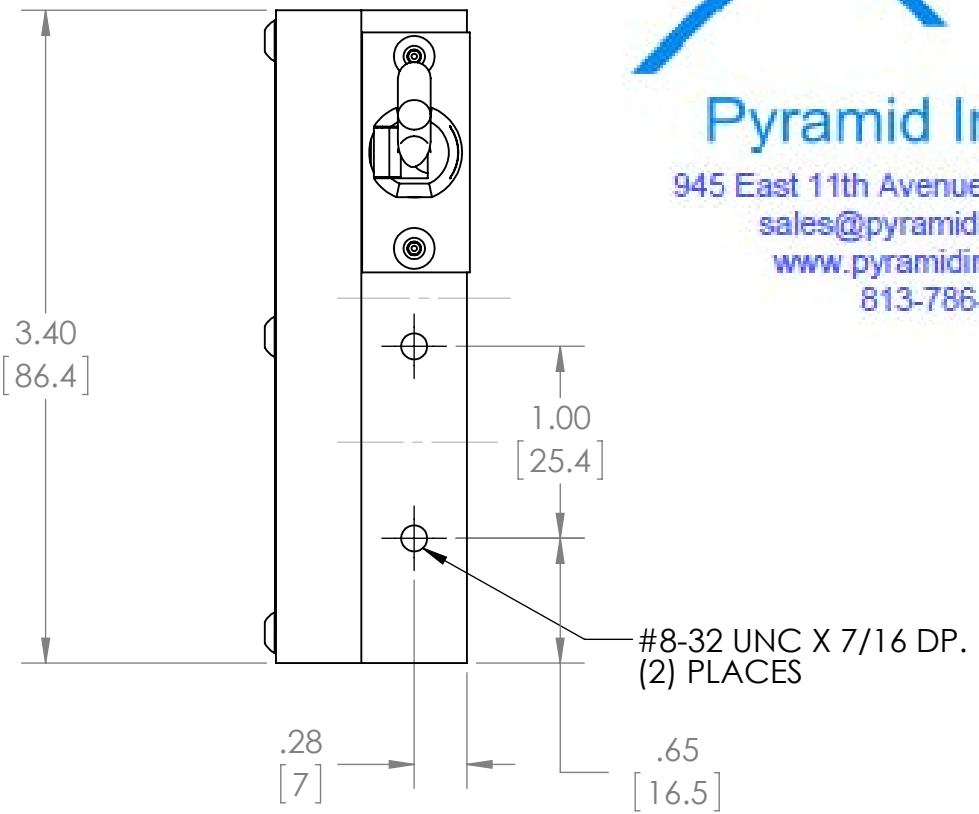
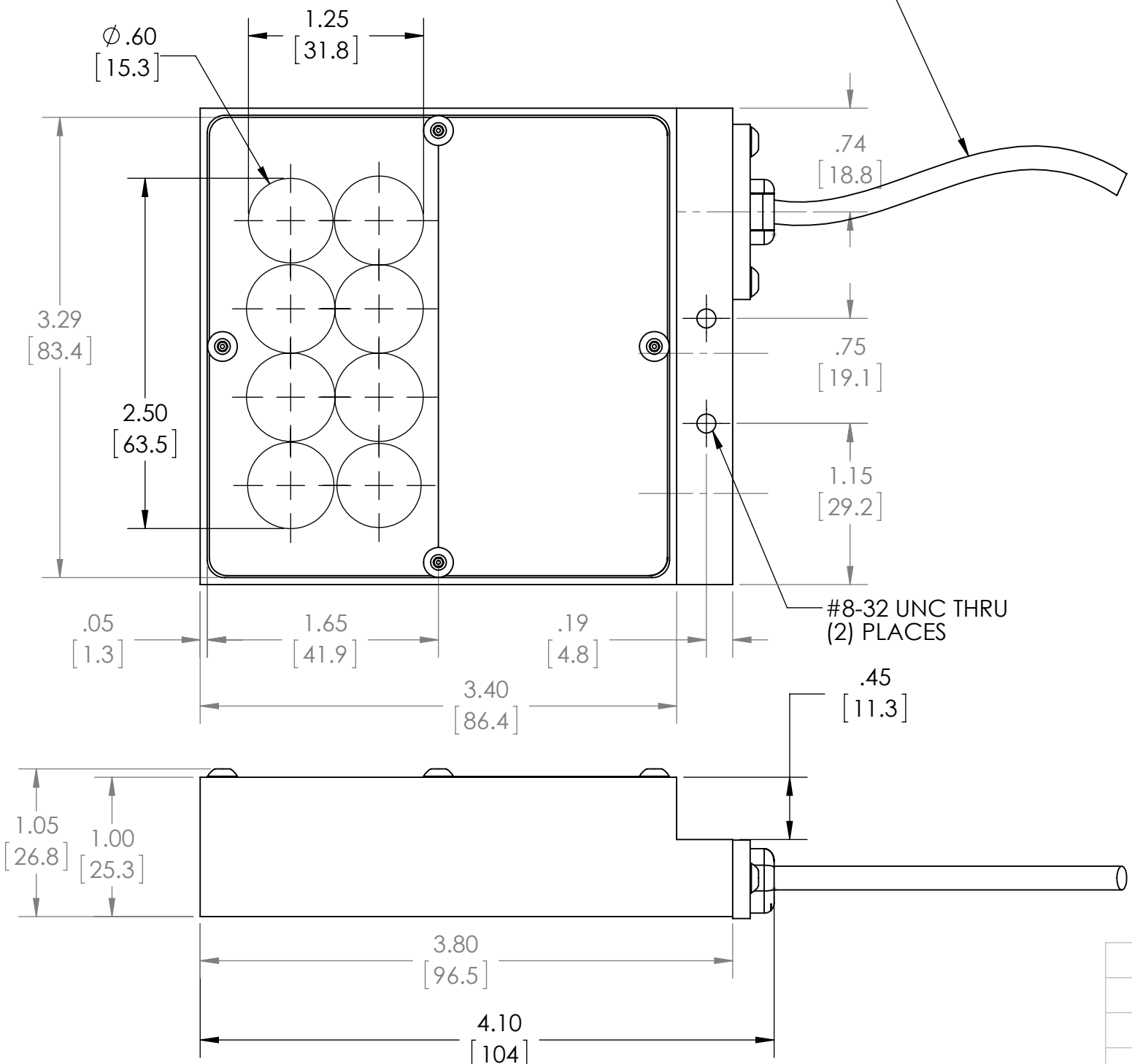
8 7 6 5 4 3 2 1

REVISIONS				
ZONE	REV.	DESCRIPTION	DATE	APPROVED
	B	P/N WAS FL302, KW	12/7/2011	

D
C
B
A

D
C
B
A

(4) CONDUCTOR ELECTRICAL CABLE
24 AWG, 10 FT LG WITH FLYING LEADWIRE ENDS.



Pyramid Imaging

945 East 11th Avenue Tampa, FL 33605
 sales@pyramidimaging.com
 www.pyramidimaging.com
 813-786-3785

PROPRIETARY AND CONFIDENTIAL
 THE INFORMATION CONTAINED IN THIS DRAWING IS THE SOLE PROPERTY OF <INSERT COMPANY NAME HERE>. ANY REPRODUCTION IN PART OR AS A WHOLE WITHOUT THE WRITTEN PERMISSION OF <INSERT COMPANY NAME HERE> IS PROHIBITED.

UNLESS OTHERWISE SPECIFIED:		NAME	DATE	METAPHASE TECHNOLOGIES, INC. TITLE: FRONT LIGHT, 1.25 X 2.5 INCH PC INDUSTRIES SIZE DWG. NO. REV B CFL2.5x1.25 A	
DIMENSIONS ARE IN INCHES		DRAWN	KW		12-6-11
TOLERANCES:		CHECKED			
FRACTIONAL ±		ENG APPR.			
ANGULAR: MACH ± BEND ±		MFG APPR.			
TWO PLACE DECIMAL ±		Q.A.			
THREE PLACE DECIMAL ±		COMMENTS:			
INTERPRET GEOMETRIC TOLERANCING PER:					
MATERIAL					
FINISH					
NEXT ASSY	USED ON				
APPLICATION	DO NOT SCALE DRAWING				
SCALE: 1:1		WEIGHT:		SHEET 1 OF 1	

8 7 6 5 4 3 2 1