

# PHOENIX-D48 PCI/104e

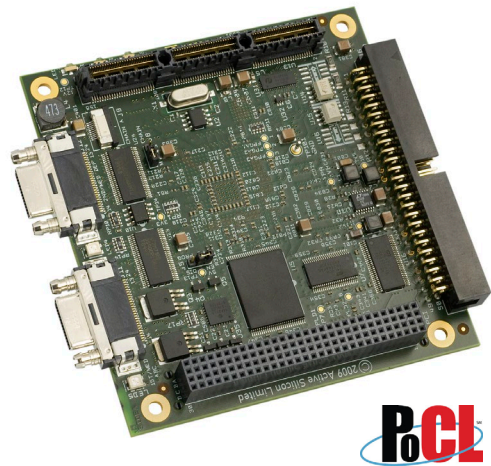
## Camera Link Frame Grabber



- Camera Link v2.0 compliant
- Supports Base, dual Base and Medium, with PoCL
- Single Gen1 PCI/104-Express interface

### FEATURES

- Single Base, Dual Base or Medium Camera Link configurations.
- PCI/104-Express form factor.
- Universal board to operate in Type 1 or Type 2 host.
- Single lane (x1) v1.1 PCI Express interface.
- PCI Express burst rates in excess of 190Mbytes/sec.
- Supports Power over Camera Link with *SafePower*.
- Supports digital areascan / linescan cameras.
- Accepts multi-tap & multi-channel camera formats, including line and pixel interleaved.
- Maximum pixel clock of 66MHz.
- Extended temperature operation.
- Software Development Kit (SDK) supports various operating systems for rapid integration.
- v2.0 Camera Link compliant.
- Bus mastering hardware control of scatter-gather requires 0% host CPU intervention.
- Dual channel serial port with RS-422 signalling.
- Supports Camera Link serial comms API.
- Implements Data Valid (DVAL) for slow data rate cameras.
- Opto-Isolated, TTL and RS-422 I/O.
- Utilises software configurable FPGA technology for maximum flexibility.
- RoHS compliant.



### OVERVIEW

**Phoenix-D48CL** is a PCI/104-Express board for the acquisition of digital data from a variety of Camera Link sources, including digital frame capture and line scan cameras. It supports all the formats of the Base and Medium configurations, i.e. single 8 to 16-bit data, through 12-bit RGB, to four tap 12-bit sources, as well as dual Base configuration, i.e. acquisition from two asynchronous Base cameras.

**Phoenix-D48CL** also supports various camera tap formats, such as line interlaced - adjacent lines are output simultaneously; line offset - lines are output from different parts of the CCD simultaneously; pixel interlaced - adjacent pixels on the same line are output simultaneously; and pixel offset - pixels are output from different parts of the same line simultaneously.

**Phoenix-D48CL** supports the Power over Camera Link (PoCL) functionality with *SafePower* and is able to provide power to PoCL enabled cameras via the Camera Link data cable thereby removing the need for a separate power supply. Conventional non-PoCL cameras are still supported.

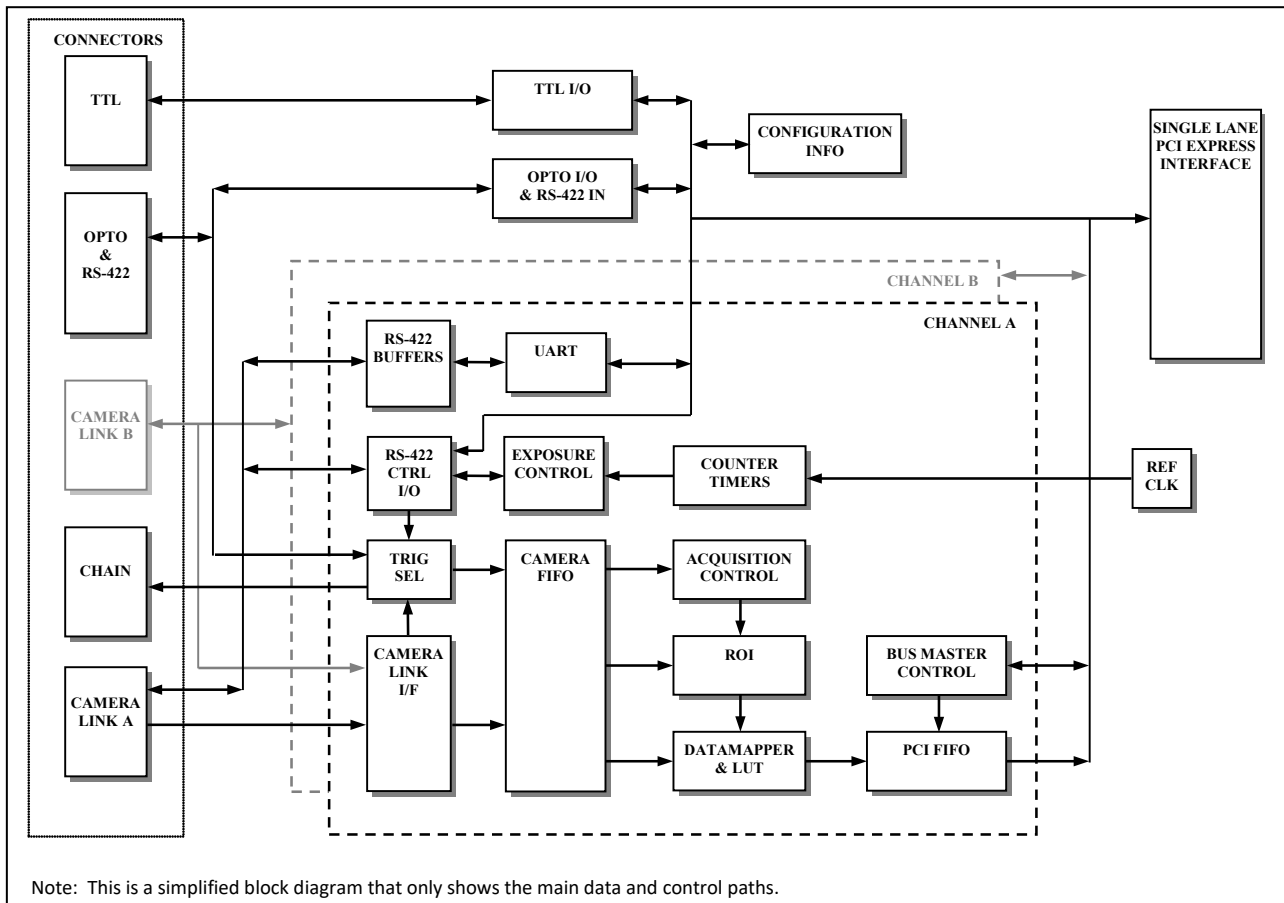
ROI and sub-sampling controls are used to increase application processing speed by only storing the required data. In addition, the LUT functionality provides support for gamma correction, dynamic range cropping, binary thresholding and Bayer white color balancing in real time. The DataMapper further reduces the load on the host processor by mapping and packing the acquired data prior to transfer across the PCI Express bus. For example, the acquired data can be mapped into a suitable format and transferred directly to the graphics display, without the need for any host processing.

The PCI interface comprises intelligent scatter-gather hardware which reads its instructions direct from memory without any host CPU intervention. This in turn controls the DMA engine, which transfers the packed video data into any target memory which can be reached from the PCI bus. This can be system memory, graphics memory, or even other devices on the same or other PCI busses, such as DSP cards, etc.

The majority of the functionality is implemented in a single FPGA (Field Programmable Gate Array) providing a flexible solution for interfacing to Camera Link compliant sources. The FPGA implements the PCI Express interface, hardware scatter-gather control, PCI Initiator Burst Control (DMA), Acquisition Control, Region of Interest (ROI) and sub-sampling control, DataMapping functions, Datapath FIFOs and Counter/Timer support. In addition, the board contains Look Up Table (LUT) functionality, a dual Universal Asynchronous Receiver Transmitter (UART), 4 bit opto-isolated I/O, two 2 bit differential input ports and two 8 bit TTL I/O ports.

The Software Development Kit (SDK), available as a separate item, allows rapid system development and integration. It provides comprehensive example applications and optimized libraries, and is available for a variety of operating systems via a common API, including 32 bit and 64-bit Windows and Linux as well as Mac OS X and QNX. As well as functions that control the hardware, the libraries include general purpose functions for the manipulation and display of images. A separate datasheet describes the SDK in detail.

## SYSTEM BLOCK DIAGRAM



## HARDWARE SPECIFICATION

---

<i>Camera Clock:</i>	<b>Phoenix</b> supports effective clock rates from DC to 66MHz, using the Camera Link Strobe (STB) and Data Valid (DVAL) signals. For faster speeds contact your distributor.
<i>Camera FIFO:</i>	Data from the video source is stored in a FIFO prior to being processed by <b>Phoenix</b> . For certain high bandwidth applications it is possible to extend the FIFO size - please contact your distributor for more details.
<i>PoCL:</i>	<p><b>Phoenix</b> supports the Power over Camera Link (PoCL) functionality and is able to provide power to PoCL enabled cameras via the Camera Link data cable thereby removing the need for a separate power supply. In addition to this the <b>Phoenix</b> implements <i>SafePower</i>, an intelligent sense mechanism which detects the presence of a PoCL camera before applying power to it. This safety mechanism ensures that power is not applied to conventional non-PoCL cameras.</p> <p><b>Phoenix</b> can supply up to 4W at a nominal 12V to a PoCL camera, as required by the Camera Link specification. Both Camera Link connectors support PoCL, which with <i>SafePower</i> allows the use of any combination of PoCL and conventional cameras. Note that the current Camera Link specification does not allow the use of medium configuration PoCL cameras.</p>
<i>Acquisition Control:</i>	<p>The acquisition trigger control module is used to determine which video frames to acquire from the camera. The system can be configured for a single trigger event to acquire all subsequent frames, a trigger event per frame, or continuous acquisition irrespective of the trigger condition. The trigger event is programmable between level or edge sensing on one of the opto-isolated or RS-422 control inputs.</p> <p>When running in linescan mode, there is an additional mode that uses the active trigger input as an envelope signal. In this mode all lines are acquired whilst the trigger input is asserted.</p> <p>The hardware can also delay the trigger event by a fixed time period or number of lines, and allows the trigger event transducer to be located remotely from the camera.</p>
<i>Region of Interest:</i>	<p>The Region Of Interest (ROI) controls which part of the camera output data to acquire. In areascan mode, this is a rectangular region with software programmable width, height and x / y offset. Linescan mode is similar, allowing control of the width and x offset, with the height control being used to package the data into pseudo frames for subsequent processing by the user's application.</p> <p><b>Phoenix</b> supports an additional mode (DataStream) whereby data is acquired based upon the control inputs, e.g. all data is acquired when Frame Valid (FVAL) and Line Valid (LVAL) are both asserted. This is necessary for cameras that output their own arbitrary ROIs within a single video frame, or those that vary the amount of data output on each line.</p>
<i>Sub-Sampling:</i>	Software controlled hardware sub-sampling is also supported. A factor of x1, x2, x4 or x8 can be independently selected for both x and y directions, e.g. a horizontal factor of x4 and a vertical factor of x2 would acquire every 4th pixel across a line and every 2nd line down the frame.
<i>DataMapper:</i>	<p>The raw camera data can be reformatted in hardware for ease of subsequent processing. For example, a mono data source can be converted into 32-bit color data, ready to be sent directly to graphics card memory, thus reducing the host processor overhead. The optimum use of system resources is determined by the user's application, e.g. packing mono data into 32-bit color reduces the host processor overhead at the expense of increasing the amount of data transferred across the PCI Express bus.</p> <p>The output formats supported include 8, 16 and 32-bit mono, as well as 15, 16, 24, 32 and 48-bit color in both RGB and BGR ordering, thus supporting big and little endian processor formats. The data is also pre-packed into a 64-bit stream, prior to being sent across the PCI Express bus, for maximum transfer performance.</p>

---

<i>LUT:</i>	A 16-bit in, 16-bit out (i.e. 65,536 by 16) LUT per channel allows arbitrary mappings between the input data from the video source and the output data to the destination memory. This allows functions such as gamma correction, brightness, contrast and thresholding to be performed in real time in hardware on a per color or per camera basis. Different mappings can also be applied to Bayer camera data in real time, to assist white color balancing. The LUT may also be used to shift the LSB aligned video data to MSB alignment ready for processing.
<i>PCI FIFO:</i>	A 4096 by 32-bit FIFO provides buffering between the camera and the PCI Express bus, as well as packet buffering in the PCI Express interface. Note that this is not a frame store; <b>Phoenix</b> uses high speed DMA to transfer the camera data into system memory, and therefore the image size is only limited by the amount of memory available on the host.
<i>Bus Master Control:</i>	<p>Core to <b>Phoenix</b> is a dedicated RISC processor and a highly optimised DMA engine. The RISC processor generates PCI Express Non-Posted requests to system memory to read transfer length, destination address and other control information directly from host memory. For optimal efficiency, the resulting instructions are held in a pipeline buffer before being used to generate Posted packets containing image data.</p> <p>The RISC processor optionally generates a PCI interrupt to signal that the transfer has completed, before continuing to execute the next instruction, and also supports jump instructions that allow a single piece of RISC code to loop continuously.</p> <p>This whole process is completely autonomous to the hardware and requires 0% CPU overhead to maintain. The DMA engine is thus capable of sending data at the full PCI Express rate and the throughput is only limited by the max payload size of the host machine.</p>
<i>Interrupts:</i>	An interrupt signal is available, and can be configured via software to interrupt on a number of different events, including acquisition complete, FIFO overflow, Start/End of Frame/Line, etc.
<i>Counter Timers:</i>	<p>Four 32-bit counter timers are available for each channel of the <b>Phoenix</b>. The counter timers are dedicated for the following functions:</p> <ol style="list-style-type: none"> <li>1. Astable timer used as a line rate generator for linescan cameras, or as an acquisition trigger for areascan cameras, thus controlling the overall frame rate. The period of the astable can be set from 1<math>\mu</math>s up to 70 minutes in 1<math>\mu</math>s increments.</li> <li>2. Dual monostables for generating two exposure output signals, e.g. ExSync and PRIN. Both monostables are triggered by the same software selectable event but can be programmed with different time periods, once again to 1<math>\mu</math>s resolution. This provides a flexible exposure control system.</li> <li>3. Trigger delay counter used to postpone acquisition triggering by a programmable time delay or line count. This allows the acquisition trigger sensor to be mounted remotely from the camera. (Note: As the counter is non-retriggerable, subsequent trigger events will be ignored until a pending event has completed its delay).</li> <li>4. A versatile event counter is provided to count a number of different events types - Lines (LVAL), Frames (FVAL) or microseconds, within a specified gate condition - Line (LVAL), Frame (FVAL), Acquisition Trigger or Entire Acquisition. The event count provides readings for both the current value, as well as the final value at the end of the previous gate condition. For example, the event counter can be configured to provide the current line number within a frame, as well as the total number of lines in the previous frame. Other uses include providing the frame period, the number of lines in the previous acquisition trigger envelope – and hence how much data there is to process, or the number of images processed so far.</li> </ol>

---

---

<i>Camera Control Outputs:</i>	Two 4-bit RS-422 (LVDS) output ports are provided to interface with the camera. Each bit can be individually set to a logical “1” or “0” under software control or used to drive the camera with exposure control pulses from the counter timer module. The ports are on the Camera Link connectors.
<i>Opto-Isolated I/O:</i>	4 bits of opto-isolated I/O are provided to interface to external systems. As standard, <b>Phoenix</b> is configured with 2 bits of input and 2 bits of output, but this can be varied as factory build option - please contact your distributor for further information. The outputs are designed to sink up to 20mA and will withstand 24V when “off”. The inputs sense voltages between 3.3V and 24V as a logic high input. A 4.7kΩ current limiting series resistor is fitted on all inputs. The outputs can be individually set and cleared via software, controlled from the internal timer resources, or fed from other input events, e.g. acquisition triggers, etc.
<i>RS-422 Control In:</i>	Two 2-bit RS-422 (LVDS) input ports are provided to interface with other systems. They can be used as additional acquisition trigger sources, or as inputs from shaft encoders, etc.
<i>TTL I/O:</i>	Two 8-bit TTL I/O ports are provided to interface with other systems. Each 8-bit port can be independently configured as all input or all output under software control. When used as outputs, each bit can source 24mA at min 2.2V or sink 24mA at max 0.55V. When used as inputs, an applied voltage of between 2V and 5V is read as a logical “1” and an applied voltage of between 0V and 0.8V as a logical “0”.
<i>Serial Port:</i>	<b>Phoenix</b> is fitted with a dual channel Universal Asynchronous Receiver Transmitter (UART), containing 64 character hardware transmit and receive FIFOs for each channel (the software libraries buffer the transmit and receive data to provide larger user FIFOs). Each channel independently supports 1, 1.5 or 2 stop bits; 5, 6, 7 or 8 data bits; and odd, even or no parity. The baudrate can be configured with standard values from 300 baud up to 115,200 baud. <b>Phoenix</b> also supports software (XON, XOFF) flow control within the UART without host CPU intervention. The UART is also accessible as a Windows Com port.
<i>Connectors:</i>	<b>Phoenix</b> is fitted with two 26-way 3M SDR or Honda HDR connectors (MiniCL) and screwlocks as specified in the Camera Link v2.0 specification. For opto-isolated, RS-422 & TTL I/O there is a 50 way 0.1” IDC header. Two 10 way 0.5mm FPC connectors (“Chain”) allows two <b>Phoenix</b> boards to be used together to simultaneously acquire from multiple sources. The next section shows the pinout of the connectors.

---



## CONNECTOR PINOUTS

---

### Camera Connectors

**Phoenix-D48CL** is fitted with two 26-way MiniCL Camera Link sockets.

Connector type: 3M SDR (12226-8250-00) or Honda HDR (HDR-EA26LFYPG1-SLD+).

PIN	SIGNAL	PIN	SIGNAL
1	Inner Shield (Power)	14	Inner Shield (Return)
2	CC4-	15	CC4+
3	CC3+	16	CC3-
4	CC2-	17	CC2+
5	CC1+	18	CC1-
6	SerTFG+	19	SerTFG-
7	SerTC-	20	SerTC+
8	X3+	21	X3-
9	XClk+	22	XClk-
10	X2+	23	X2-
11	X1+	24	X1-
12	X0+	25	X0-
13	Inner Shield (Return)	26	Inner Shield (Power)

#### NOTES:

1. For clarity, the Camera Link pinout shown is for the Base configuration. In Medium configuration, the second Camera Link Base connector  $X_n$  signals are used as  $Y_n$  inputs, and the  $CC_n$  and Ser I/O signals are not used.
2. Names in parenthesis are those used by Power over Camera Link (PoCL).



**TTL I/O Connector**

**Phoenix-D48CL** is fitted with a 50-way header for opto-isolated, RS-422 and TTL I/O.  
 Connector type: Standard 50 way 0.1” pitch right angle box header for use with IDC sockets.

PIN	SIGNAL	PIN	SIGNAL
1	OptoA1 Signal	2	OptoA1 GND
3	OptoA2 Signal	4	OptoA2 GND
5	AuxInA1+	6	AuxInA1-
7	AuxInA2+	8	AuxInA2-
9	GND	10	GND
11	OptoB1 Signal	12	OptoB1 GND
13	OptoB2 Signal	14	OptoB2 GND
15	AuxInB1+	16	AuxInB1-
17	AuxInB2+	18	AuxInB2-
19	GND	20	GND
21	GND	22	GND
23	GND	24	GND
25	TTL A0 (LSB)	26	TTL A1
27	TTL A2	28	TTL A3
29	TTL A4	30	GND
31	TTL A5	32	TTL A6
33	TTL A7 (MSB)	34	TTL A Len
35	GND	36	CcOutA1 TTL
37	CcOutA2 TTL	38	TTL B0 (LSB)
39	TTL B1	40	TTL B2
41	TTL B3	42	TTL B4
43	GND	44	TTL B5
45	TTL B6	46	TTL B7 (MSB)
47	TTL B Len	48	GND
49	CcOutB1 TTL	50	CcOutB2 TTL

*NOTES – Opto-Isolated and RS-422 I/O:*

1. The opto-isolated I/O consists of a signal and a ground connection, all of which are all isolated from each other and the main GND signal.
2. The standard build of **Phoenix-D48CL** provides two opto-isolated inputs (OptoA1 & OptoB1) and two opto-isolated outputs (OptoA2 & OptoB2). These can be supplied with other combinations of input or output - please consult your distributor for more information.
3. The opto-isolated outputs are designed to sink up to 20mA of current from a 24V supply, and the inputs sense voltages between 3.3V and 24V as a logic high input.
4. AuxInXY are RS-422 inputs used to connect external devices such as shaft encoders, or other trigger devices.

*NOTES – TTL I/O:*

1. The naming convention used is standard bit ordering, i.e. TTL A0 and TTL A7 are the LSB and MSB bits respectively of TTL Port A.
2. TTL X Len is a latch enable signal for the appropriate port. If it is held at a logical “0”, then the current values on the I/O port pins are read. If it is held at a logical “1”, then the values on the I/O port pins when TTL X Len transitioned from “0” to “1” are read. By default, this signal is fitted with a 4.7kΩ pulldown resistor, such that it can be left unconnected.
3. CcOutAX TTL are buffered output-only TTL versions of the CCX RS-422 signals available on the Camera Link connector.



## CONFORMANCE

---

<i>PCI Express Interface:</i>	PCI Express Bus single lane Gen 1 interface to Specification Revision 1.1, with a max payload size of 512 bytes. <b>Phoenix-D48CL</b> supports both Short (32 bit) and Long (64 bit) Address packets for native 64 bit addressing. It also generates Posted Writes for image data, thus achieving transfer rates in excess of 190Mbytes/sec, subject to host performance. The board requires 16MBytes of address space, and a further 256 bytes of I/O space.
<i>PCI/104 Express Interface:</i>	PCI/104-Express format to Specification Revision 2.10. <b>Phoenix-D48CL</b> is a Universal Board and will work with either Type 1 or Type 2 host CPUs.
<i>Camera Link:</i>	<b>Phoenix-D48CL</b> conforms to v2.0 of the Camera Link specification.
<i>Approvals:</i>	EU    € mark for compliance with EMC EN 55022:2010 (class A) and EN 55024:2010 in accordance with EU directive 2014/30/EU. RoHS compliance to RoHS2 directive 2011/65/EU. USA    EMC FCC Class A. The printed circuit board is manufactured by UL recognised manufacturers and has a flammability rating of 94-V0.

---

## PHYSICAL AND ENVIRONMENTAL DETAILS

---

<i>Dimensions:</i>	PCB:    96mm by 90mm Overall: 96mm by 102mm including connectors.
<i>Approximate weight:</i>	92g
<i>Power consumption (typical):</i>	+3.3V    +12V  1.1A      50mA (PoCL control) plus up to 8W (for PoCL cameras)
<i>Storage Temperature:</i>	-40°C to +85°C.
<i>Operating Temperature:</i>	-40°C to +85°C.
<i>Relative Humidity:</i>	10% to 90% non-condensing (operating and storage).

---





## ORDERING INFORMATION

PART NUMBER	DESCRIPTION
<b>AS-PHX-D48CL-104PE1</b>	Camera Link frame grabber for Base, Dual Base or Medium Camera Link configurations. PCI/104-Express bus with single lane (x1) bus interface.
<b>AS-CBL-CL-MPSP-C-xM</b>	Standard (MDR) to Mini (HDR/SDR) Camera Link cable x meters in length. All cables are PoCL compliant. Standard stock lengths are 1m, 3m, 5m and 10m. Higher flex rating cables also available – contact your distributor for details.
<b>AS-PHX-CBL-CH-FPC-M12</b>	Chaining cable to connect two adjacent <b>Phoenix</b> PCI/104-Express boards.
<b>AS-PHX-SDK-xxx-CD</b>	Software Development Kit for xxx operating system. For a full list of all supported operating systems please refer to the SDK datasheet, or contact your distributor.

An initial order for **Phoenix** with an SDK is supplied in a presentation case.

## THE PHOENIX AND FIREBIRD RANGE

The following products are available in the **Phoenix** range:

- Base only and Base, Dual Base and Medium Camera Link frame grabber.
- 36-bit LVDS frame grabber.
- SDI and HD-SDI frame grabber.

Some variants are also available in non-PC form-factors such as PC/104-Express, PMC and cPCI Serial.

Our **FireBird** frame grabber range includes:

- Camera Link frame grabbers: Base, Medium, Full, Deca (80 bit), Dual-Deca.
- High performance CoaXPress frame grabbers in single, dual and quad configurations.





## CONTACT DETAILS

---

*Europe & APAC:*

Active Silicon Limited  
Pinewood Mews, Bond Close, Iver,  
Bucks, SL0 0NA, UK.

Tel: +44 (0)1753 650600  
Fax: +44 (0)1753 651661  
Email: [info@activesilicon.com](mailto:info@activesilicon.com)  
Website: [www.activesilicon.com](http://www.activesilicon.com)



945 East 11<sup>th</sup> Avenue Tampa, FL 33605

Phone: (813) 984-0125

Contact: [Sales@pyramidimaging.com](mailto:Sales@pyramidimaging.com)

<https://pyramidimaging.com>