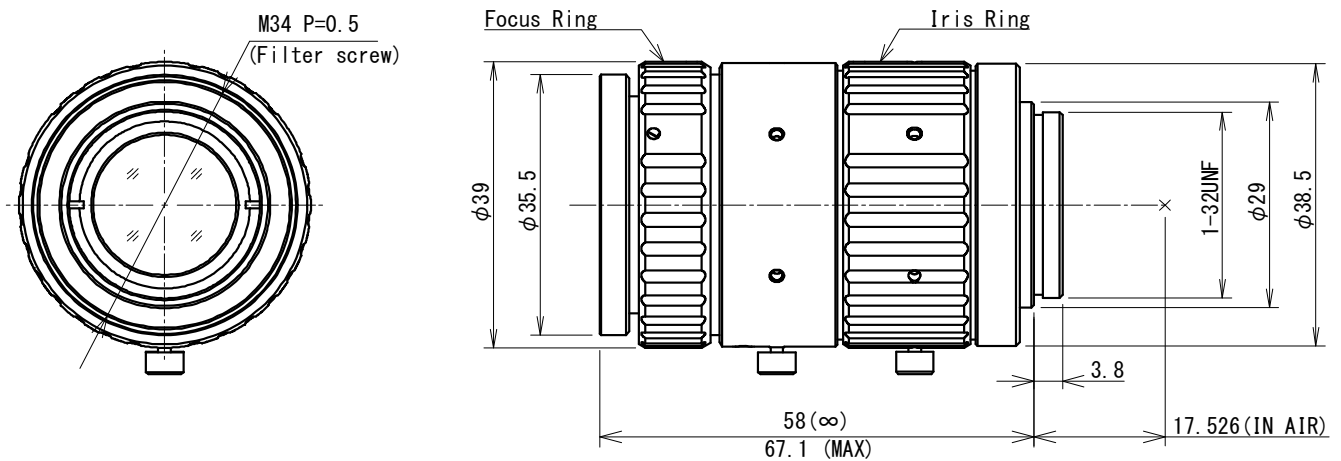


F3526-MPT

f=35mm F2.6
for 1.4 Type 45 Megapixel cameras, Fixed-focal
C-Mount

Model No.		F3526-MPT		Effective	Front	φ 19.1mm	
Focal Length		35mm		Lens Aperture	Rear	φ 18.4mm	
Max. Aperture Ratio		1:2.6		Distortion (Inf.)	1.4 Type	0.01%	
Image Circle Diameter		φ 23.1mm		Back Focal Length		23.1mm	
Operation Range	Iris	F2.6 - F16.0		Flange Back Length		17.526mm	
	Focus	0.15m - Inf.		Mount		C-Mount	
Control	Iris	Manual		Filter Size		M34 P=0.5mm	
	Focus	Manual		Dimensions		φ 39mm × 58mm	
Operating Temperature		-10°C - +50°C		Weight		122g	
Angle of View	Sensor Size	1.4 Type		1.2 Type		1.1 Type	
	Diagonal	19.08mm × 13.03mm	36.6°	14.60mm × 12.63mm	30.9°	14.19mm × 10.38mm	28.3°
	Horizontal	(φ 23.1mm)	30.6°	(φ 19.3mm)	23.6°	(φ 17.6mm)	23.0°
	Vertical		21.1°		20.5°		16.9°

Dimensions



945 East 11th Avenue Tampa, FL 33605
 Phone: (813) 984-0125
 Contact: Sales@pyramidimaging.com
<https://pyramidimaging.com>