

# DL0828UC-MPY

**f=8mm F2.8**

**for 1/1.1 Type 12Megapixel cameras, Motorized Control Fixed-focal  
USB interface, C-Mount**

**Optical Specifications**

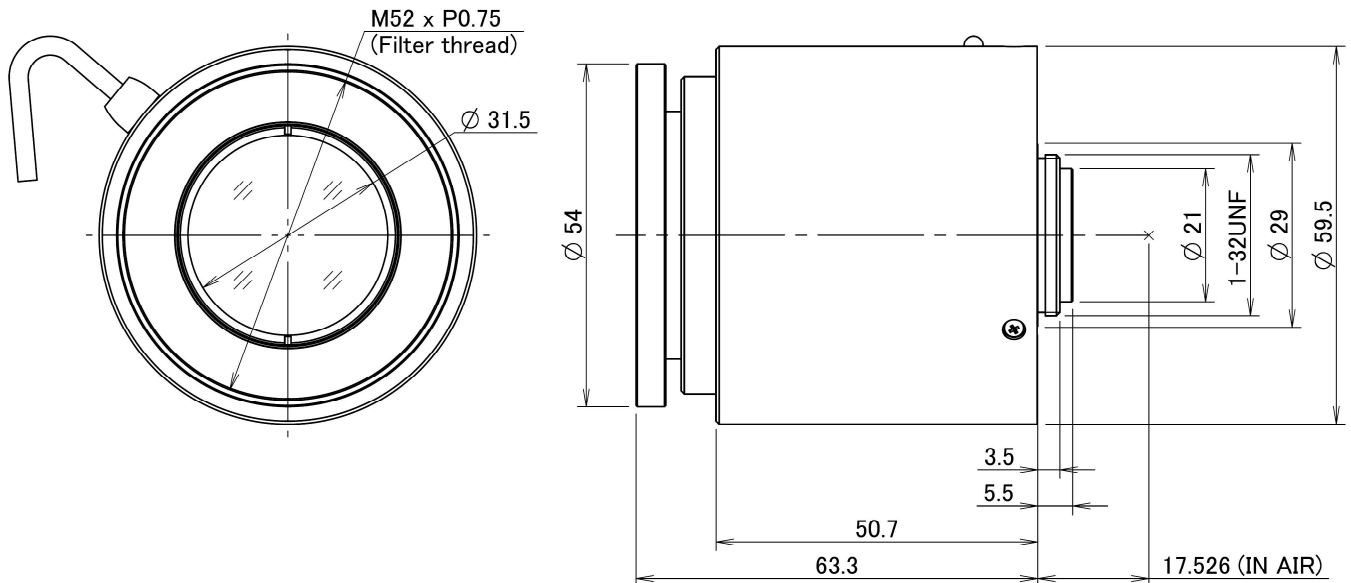
Model No.	DL0828UC-MPY		Effective Lens Aperture	Front:φ31.2mm Rear:φ12.9mm			
Focal Length	8mm		Back Focal Length	13.0mm (In Air)			
Operation Range	Iris	F2.8 - F16.0		Flange Back Length	17.526mm (In Air)		
	Focus	0.1m - Inf.		Max. Image Circle	φ14.4mm		
Object Dimension at M.O.D.	1/1.1 Type	155.6mm x 113.0mm		Distortion	1/1.1 Type	0.0%	
	2/3 Type	121.2mm x 90.2mm			2/3 Type	-1.6%	
	1/1.8 Type	98.6mm x 73.5mm			1/1.8 Type	-1.7%	
Angle of View	D	1/1.1 Type	80.4°	2/3 Type	68.3°	1/1.8 Type	58.1°
	H	11.22mm x 8.22mm		8.8mm x 6.6mm	57.0°	7.2mm x 5.4mm	47.8°
	V	(φ13.9mm)		(φ11.0mm)	44.1°	(φ9.0mm)	36.6°

**Mechanical & Electrical Specifications**

Control Interface	USB2.0		Dimensions	As per the attached drawing			
Power mode	Bus powerd (500mA)		Mount	C-Mount			
Connector	USB TypeA		Weight	178g			
Operating Temperature	-20°C - +60°C		Tripod Screw	-			
Control	Iris	Motorized		Filter thread	M52 x P0.75mm		
	Focus	Motorized		IRCF switcher	-		

**Dimensions**

Unit:mm



**Length of Wire**

300±20 (mm)

This specification is subject to change without any notice.



945 East 11<sup>th</sup> Avenue Tampa, FL 33605

Phone: (813) 984-0125

Contact: Sales@pyramidimaging.com

<https://pyramidimaging.com>