

# VL1624U-MPZ

**f=16mm F2.4**

**for 1 Type 20Megapixel cameras, Motorized Control Fixed-focal  
USB interface, C-Mount**

**Optical Specifications**

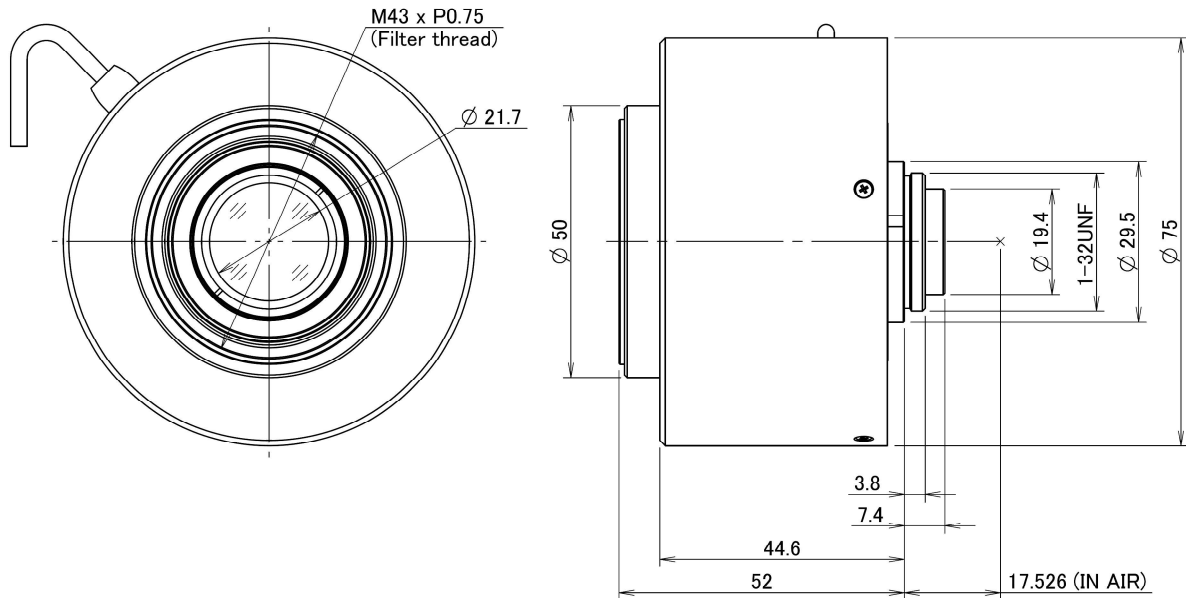
Model No.		VL1624U-MPZ	Effective Lens Aperture		Front:φ20.9mm Rear:φ15.9mm		
Focal Length		16mm	Back Focal Length		10.7mm (In Air)		
Operation Range	Iris	F2.4 - F16.0	Flange Back Length		17.526mm (In Air)		
	Focus	0.1m - Inf.	Max. Image Format		12.8mm x 9.6mm(φ16mm)		
Object Dimension at M.O.D.	1 Type	88.6mm x 66.3mm	Distortion	1 Type	0.0%		
	2/3 Type	60.7mm x 45.5mm		2/3 Type	-0.4%		
	1/1.8 Type	49.6mm x 37.2mm		1/1.8 Type	-0.4%		
Angle of View	D	1 Type	53.2°	2/3 Type	38.1°	1/1.8 Type	31.6°
	H		43.8°		30.9°		25.5°
	V		33.6°		23.4°		19.2°

**Mechanical & Electrical Specifications**

Control Interface		USB2.0	Dimensions		As per the attached drawing	
Power mode		Bus powerd (500mA)	Mount		C-Mount	
Connector		USB TypeA	Weight		280g	
Operating Temperature		-10°C - +50°C	Tripod Screw		-	
Control	Iris	Motorized	Filter thread		M43 x P0.75mm	
	Focus	Motorized				

Dimensions

Unit:mm



Length of Wire

300±20 (mm)

This specification is subject to change without any notice.



945 East 11<sup>th</sup> Avenue Tampa, FL 33605

Phone: (813) 984-0125

Contact: Sales@pyramidimaging.com

<https://pyramidimaging.com>