

VL2520U-MPZ

f=25mm F2.0

**for 1 Type 20Megapixel cameras, Motorized Control Fixed-focal
USB interface, C-Mount**

Optical Specifications

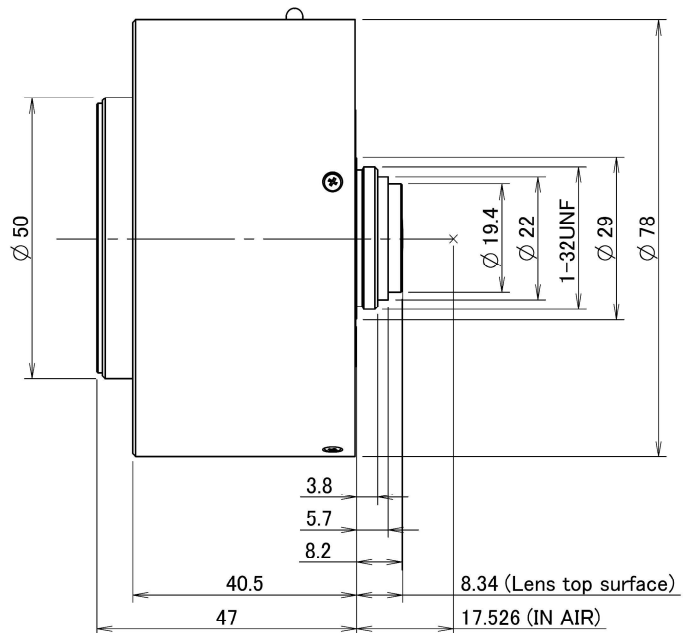
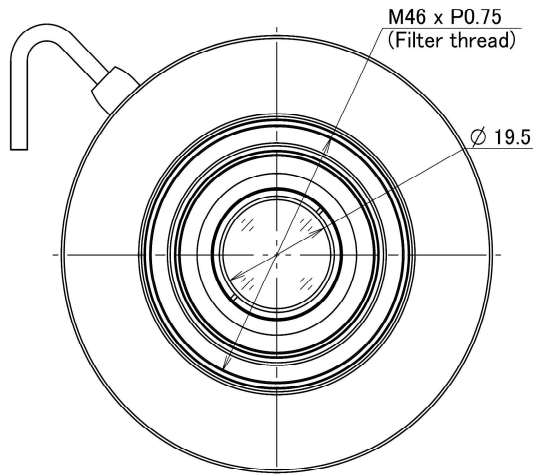
Model No.		VL2520U-MPZ		Effective Lens Aperture		Front:φ19.2mm Rear:φ17.1mm	
Focal Length		25mm		Back Focal Length		9.1mm (in Air)	
Operation Range	Iris	F2.0 - F16.0		Flange Back Length		17.526mm (In Air)	
	Focus	0.15m - Inf.		Max. Image Format		12.8mm x 9.6mm(φ16mm)	
Object Dimension at M.O.D.	1 Type	66.9mm x 50.1mm		Distortion	1 Type	0.0%	
	2/3 Type	45.9mm x 34.4mm			2/3 Type	0.0%	
	1/1.8 Type	37.5mm x 28.1mm			1/1.8 Type	0.0%	
Angle of View	D	1 Type	35.5°	2/3 Type	24.9°	1/1.8 Type	20.5°
	H		28.8°		20.0°		16.4°
	V		21.8°		15.1°		12.4°

Mechanical & Electrical Specifications

Control Interface		USB2.0		Dimensions		As per the attached drawing	
Power mode		Bus powerd (500mA)		Mount		C-Mount	
Connector		USB TypeA		Weight		257g	
Operating Temperature		-10°C - +50°C		Tripod Screw		-	
Control	Iris	Motorized		Filter thread		M46 x P0.75mm	
	Focus	Motorized					

Dimensions

Unit:mm



Length of Wire

300±20 (mm)

This specification is subject to change without any notice.



945 East 11th Avenue Tampa, FL 33605

Phone: (813) 984-0125

Contact: Sales@pyramidimaging.com

<https://pyramidimaging.com>