

VL3522U-MPZ

f=35mm F2.2

**for 1 Type 20Megapixel cameras, Motorized Control Fixed-focal
USB interface, C-Mount**

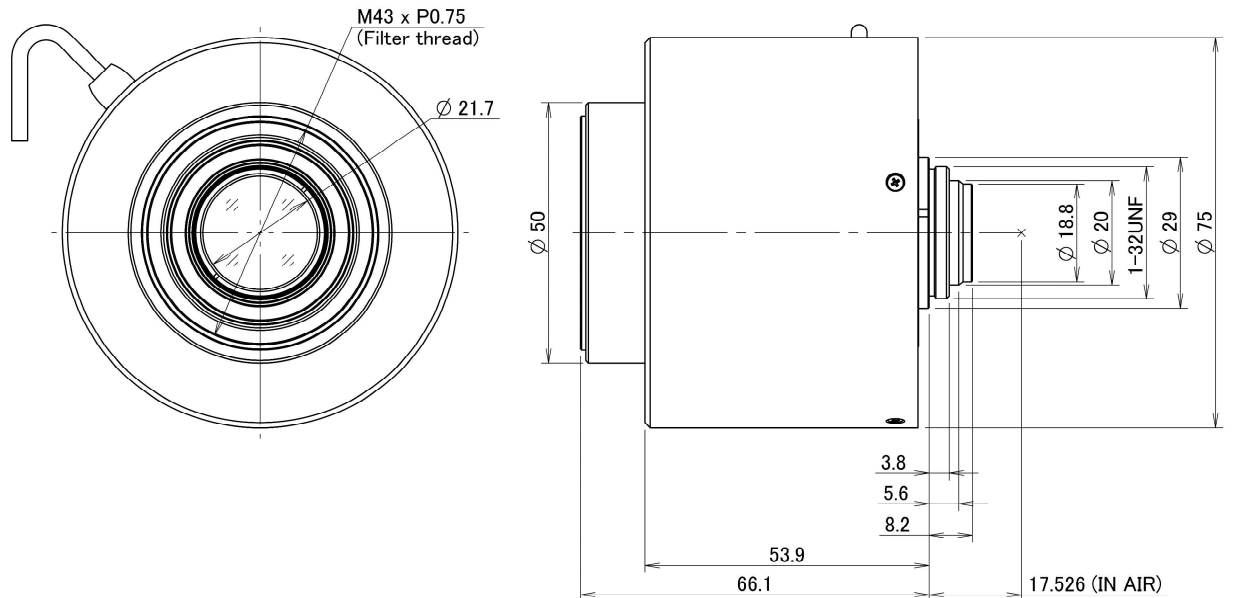
Optical Specifications

Model No.		VL3522U-MPZ		Effective Lens Aperture		Front:φ21.5mm Rear:φ15.6mm	
Focal Length		35mm		Back Focal Length		9.7mm (in Air)	
Operation Range	Iris	F2.2 - F16.0		Flange Back Length		17.526mm (In Air)	
	Focus	0.2m - Inf.		Max. Image Format		12.8mm x 9.6mm(φ16mm)	
Object Dimension at M.O.D.	1 Type	69.7mm x 52.2mm		Distortion	1 Type	0.0%	
	2/3 Type	47.9mm x 35.9mm			2/3 Type	0.0%	
	1/1.8 Type	39.1mm x 29.3mm			1/1.8 Type	0.0%	
Angle of View	D	1 Type	25.8°	2/3 Type	17.9°	1/1.8 Type	14.7°
	H		20.8°		14.4°		11.8°
	V		15.7°		10.8°		8.9°

Mechanical & Electrical Specifications

Control Interface		USB2.0		Dimensions		As per the attached drawing	
Power mode		Bus powerd (500mA)		Mount		C-Mount	
Connector		USB TypeA		Weight		313g	
Operating Temperature		-10°C - +50°C		Tripod Screw		-	
Control	Iris	Motorized		Filter thread		M43 x P0.75mm	
	Focus	Motorized					

Dimensions



Length of Wire

300±20 (mm)

This specification is subject to change without any notice.



945 East 11th Avenue Tampa, FL 33605

Phone: (813) 984-0125

Contact: Sales@pyramidimaging.com

<https://pyramidimaging.com>