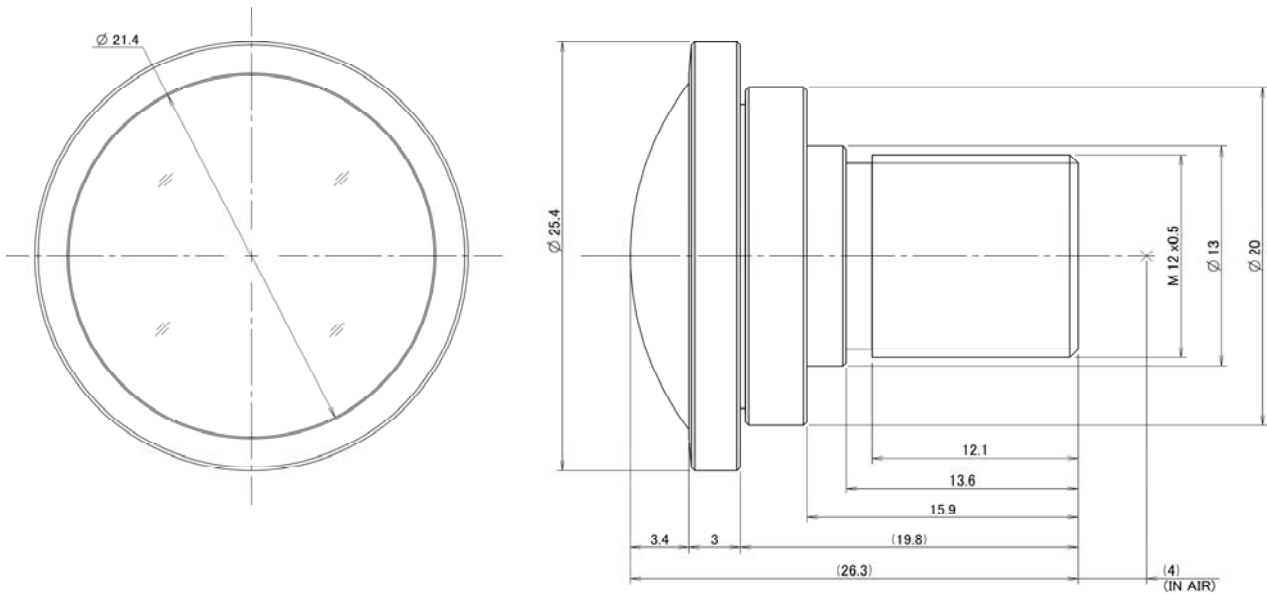


**E2328KRY**

f=2.3mm F2.8 Megapixel lens  
 for 1/1.8 type Format Board Cameras, Fisheye, No Iris  
 IR corrective

<b>Model No.</b>		E2328KRY		<b>Effective Lens Aperture</b>		<b>Front</b>		φ 20.0mm	
<b>Focal Length</b>		2.3mm		<b>Back Focal Length</b>		<b>Rear</b>		φ 6.8mm	
<b>Max. Aperture Ratio</b>		1 : 2.8		<b>Flange Back Length</b>		-			
<b>Image Size at 190°</b>		φ7.7mm		<b>Dimensions</b>		φ21.4mm x 26.3mm			
<b>Mount</b>		M12 P=0.5mm		<b>Weight</b>		13.2g			
<b>Angle of View</b>	<b>D</b>	1/1.8 type	-	1/2 type	-	1/3 type	149.2°		
	<b>H</b>	Fisheye	190.0°		159.0°		119.5°		
	<b>V</b>		108.6°		119.5°		89.6°		
<b>Operating Temperature</b>		-20°C - +60°C							

Dimensions



Unit:mm

Specification is subject to change without any notice.



945 East 11<sup>th</sup> Avenue Tampa, FL 33605

Phone: (813) 984-0125

Contact: Sales@pyramidimaging.com

<https://pyramidimaging.com>