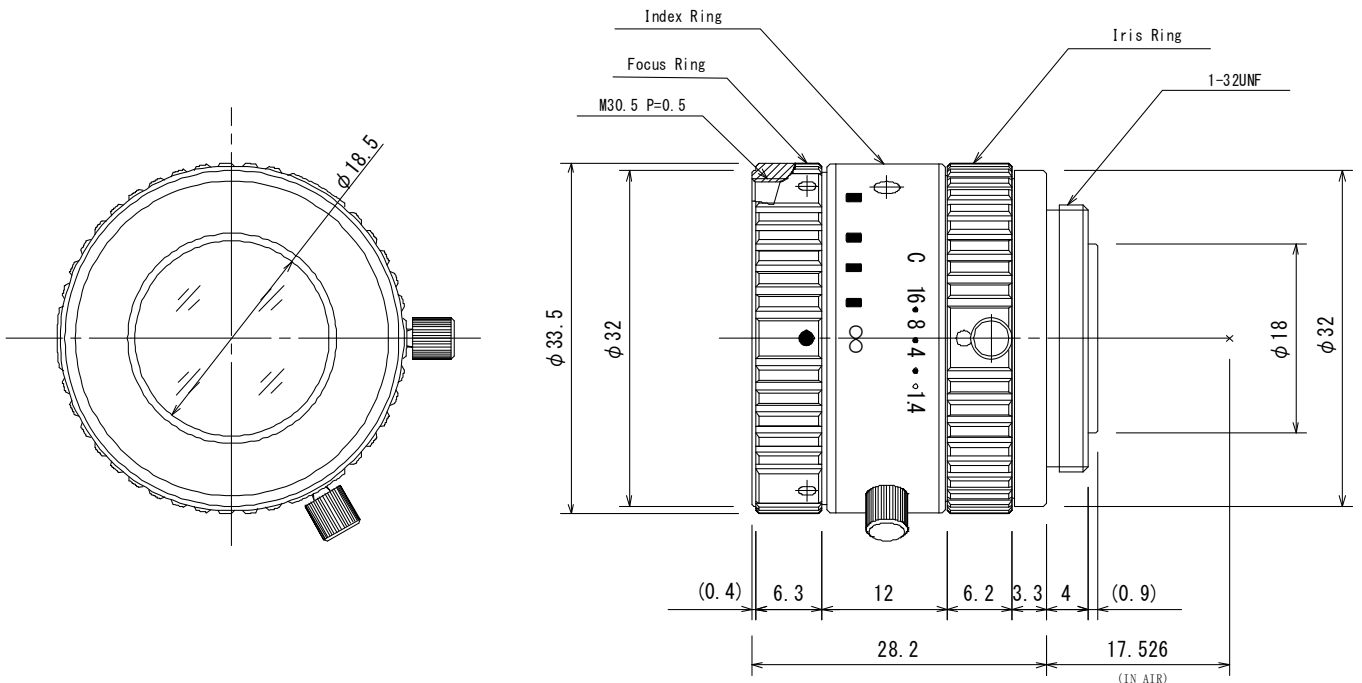


# M1614-VSW

f=16mm F1.4 ViSWIR Lite  
for Visible+SWIR image sensor, Fixed-focal  
C-Mount

Model No.		M1614-VSW		Effective		Front	φ 18.5mm
Focal Length		16mm		Lens Aperture		Rear	φ 13.2mm
Max. Aperture Ratio		1:1.4		Distortion		2/3type	-0.1%(y=5.5)
Max. Image Format		8.8mm x 6.6mm(φ 11mm)				1/2type	-0.3%(y=4.0)
Transmittance Wavelength Range		400nm - 1700nm		Back Focal Length		13.1mm	
Operation Range	Iris	F1.4- F16C		Flange Back Length		17.526mm	
	Focus	0.3m - Inf.		Mount		C-Mount	
Control	Iris	Manual		Filter Size		M30.5 P=0.5mm	
	Focus	Manual		Dimensions		φ 33.5mm x 28.2mm	
Operating Temperature		-10°C - +50°C		Weight		60g	
Angle of View	D	IMX990 (SXGA)	28.8°	IMX991 (VGA)	14.6°	2/3 type	38.0°
	H	6.40mm x 5.12mm	22.7°	3.20mm x 2.56mm	11.4°		30.8°
	V	(φ 8.20mm)	18.2°	(φ 4.10mm)	9.2°		23.4°

## Dimensions



945 East 11<sup>th</sup> Avenue Tampa, FL 33605

Phone: (813) 984-0125

Contact: Sales@pyramidimaging.com

<https://pyramidimaging.com>