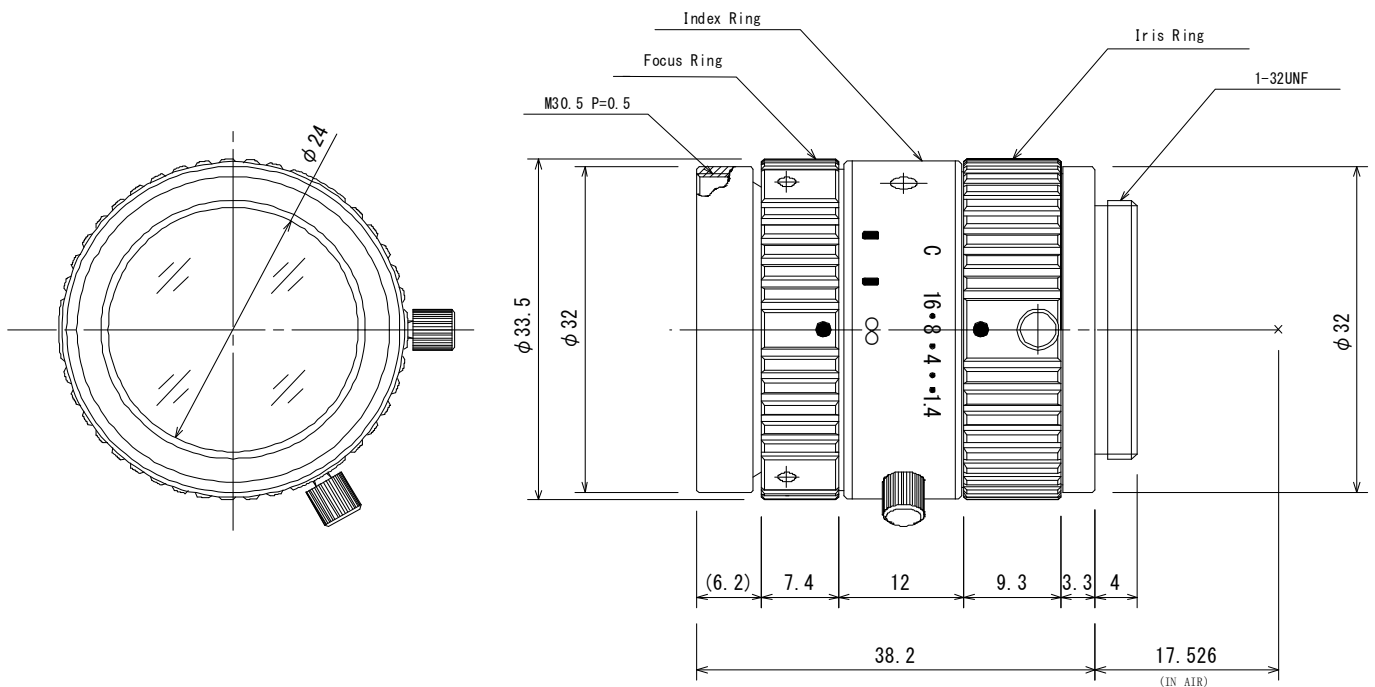


# M3514-VSW

f=35mm F1.4 ViSWIR Lite  
for Visible+SWIR image sensor, Fixed-focal  
C-Mount

Model No.		M3514-VSW		Effective	Front	φ 24mm	
Focal Length		35mm		Lens Aperture	Rear	φ 12mm	
Max. Aperture Ratio		1:1.4		Distortion	2/3 type	-0.8%(y=5.5)	
Max. Image Format		8.8mm x 6.6mm(φ 11mm)			1/2 type	-0.39%(y=4.0)	
Transmittance Wavelength Range		400nm - 1700nm		Back Focal Length		17.1mm	
Operation Range	Iris	F1.4 - F16C		Flange Back Length		17.526mm	
	Focus	0.3m - Inf.		Mount		C-Mount	
Control	Iris	Manual		Filter Size		M30.5 P=0.5mm	
	Focus	Manual		Dimensions		φ 33.5mm x 38.2mm	
Operating Temperature		-10°C - +50°C		Weight		87g	
Angle of View	D	IMX990	13.7°	IMX991	6.9°	2/3 type	17.3°
	H	6.40mm x 5.12mm	10.7°	3.20mm x 2.56mm	5.4°		13.9°
	V	(φ 8.20mm)	8.6°	(φ 4.10mm)	4.3°		10.4°

## Dimensions



945 East 11<sup>th</sup> Avenue Tampa, FL 33605

Phone: (813) 984-0125

Contact: Sales@pyramidimaging.com

<https://pyramidimaging.com>