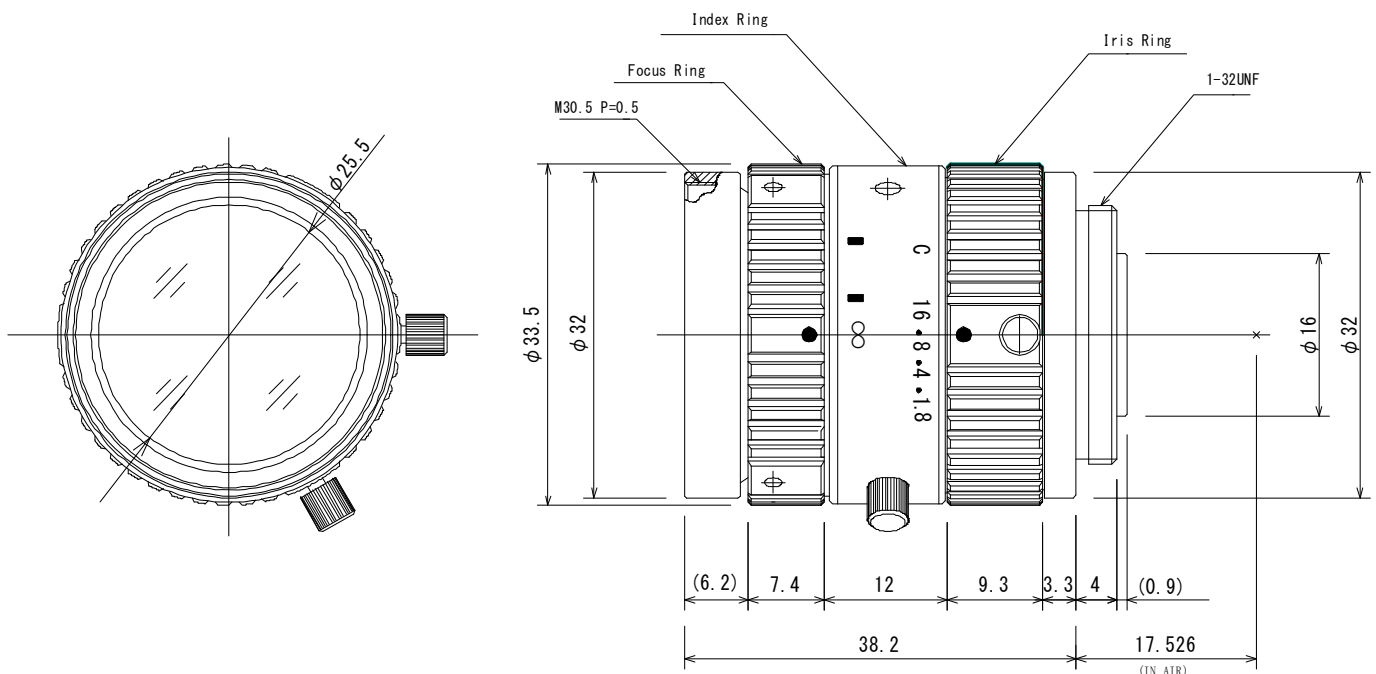


M5018-VSW

f=50mm F1.8 ViSWIR Lite
for Visible+SWIR image sensor, Fixed-focal
C-Mount

Model No.		M5018-VSW		Effective	Front	φ 25.5mm	
Focal Length		50mm		Lens Aperture	Rear	φ 9.6mm	
Max. Aperture Ratio		1:1.8		Distortion	2/3type	-0.3%(y=5.5)	
Max. Image Format		8.8mm x 6.6mm(φ 11mm)			1/2type	-0.2%(y=4.0)	
Transmittance Wavelength Range		400nm - 1700nm		Back Focal Length		13.1mm	
Operation Range	Iris	F1.8- F16C		Flange Back Length		17.526mm	
	Focus	0.5m - Inf.		Mount		C-Mount	
Control	Iris	Manual		Filter Size		M30.5 P=0.5mm	
	Focus	Manual		Dimensions		φ 33.5mm x 38.2mm	
Operating Temperature		-10°C - +50°C		Weight		85g	
Angle of View	D	IMX990	9.8°	IMX991	4.9°	2/3 type	13.1°
	H	6.40mm x 5.12mm	7.6°	3.20mm x 2.56mm	3.8°		10.5°
	V	(φ 8.20mm)	6.1°	(φ 4.10mm)	3.1°		7.9°

Dimensions



945 East 11th Avenue Tampa, FL 33605

Phone: (813) 984-0125

Contact: Sales@pyramidimaging.com

<https://pyramidimaging.com>