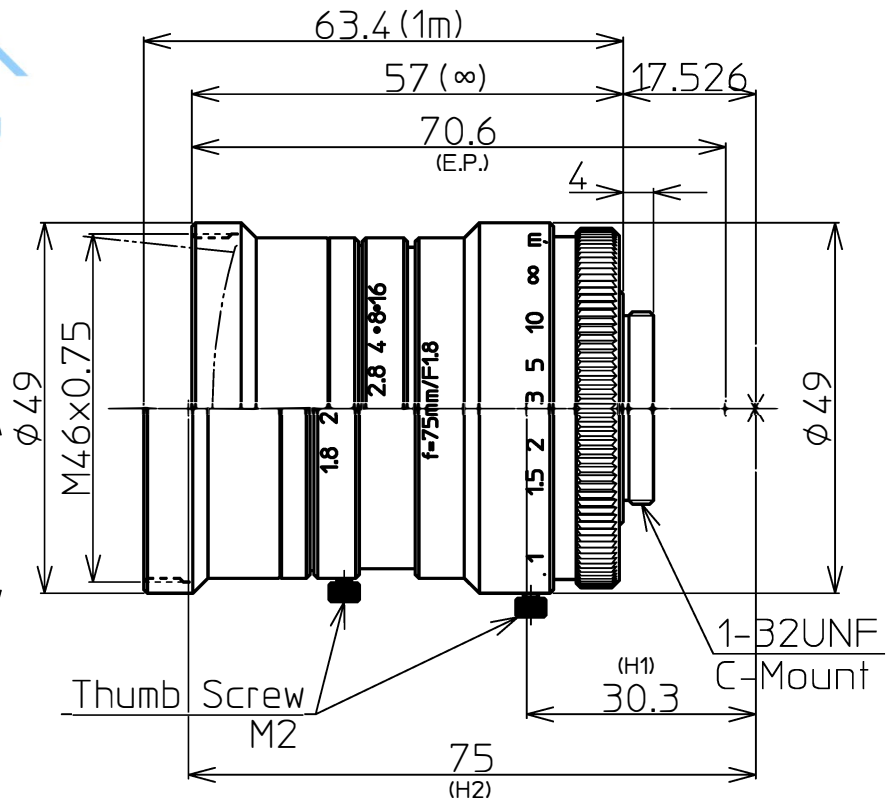


Thumbscrew
Position selectable
(120deg)



1" 1.8/75mm C		1"	2/3"	1/1.8"
FOCAL LENGTH		f=75mm		
MAX. DIAMETER (RATIO)		F=1:1.8~16		
PICTURE SIZE		9.6x12.8mm	6.6x8.8mm	5.4x7.2mm
ANGLE	VER. ANGLE	7.3°	5.0°	4.1°
	HOR. ANGLE	9.7°	6.7°	5.5°
	DIA. ANGLE	12.0°	8.3°	6.8°
DISTORTION (TV)		-0.2%		
SHOOTING RANGE AT MINIMUM FOCUS DISTANCE	VER.	123.9mm	85.2mm	69.7mm
	HOR.	165.5mm	113.6mm	92.9mm
	DIA.	207.4mm	142.1mm	116.2mm
MINIMUM FOCUS DISTANCE		1.0m		
FLANGE BACK		17.526mm in air		
BACK FOCUS		14.5mm in air		
FILTER SCREW SIZE		M46x0.75		
FRONT/REAR EFFECTIVE DIA.		FRONT ϕ 41.2mm		REAR ϕ 16.0mm
MOUNT		C-MOUNT		
EXIT PUPIL		-55.5mm		
TEMPERATURE RANGE		-10~+50°C		
STORAGE TEMPERATURE RANGE		-20~+60°C		
RESOLUTION CENTER/CORNER		CENTER 120lp/mm		CORNER 80lp/mm
WEIGHT		195 g		

NOTE: Specifications and availability are subject to change without notice
注) 本仕様については、予告なしに変更する場合があります。



		尺度	工場番号
		1/1	HR981NCN-3H
2015.07.30	正面図追加	機種名	1" F1.8 f=75mm
2015.07.21	更新(誤記訂正)		
2014.12.25	更新	機種番	LM75HC
2013.4.15	作成年月日		