



Pyramid Imaging

945 East 11th Avenue Tampa, FL 33605  
sales@pyramidimaging.com  
www.pyramidimaging.com  
813-786-3785

# Distagon T\* 2/28



## Features

- Fast f/2.0 aperture
- Precise manual focusing
- Robust full-metal construction
- Identical color reproduction of all models
- For industrial cameras with F-Mount up to sensor sizes of 24x36 mm or 43mm line sensors.

### **ZF-I: Industrial Edition**

Features special screws to fix focus and aperture settings even in rough situations.

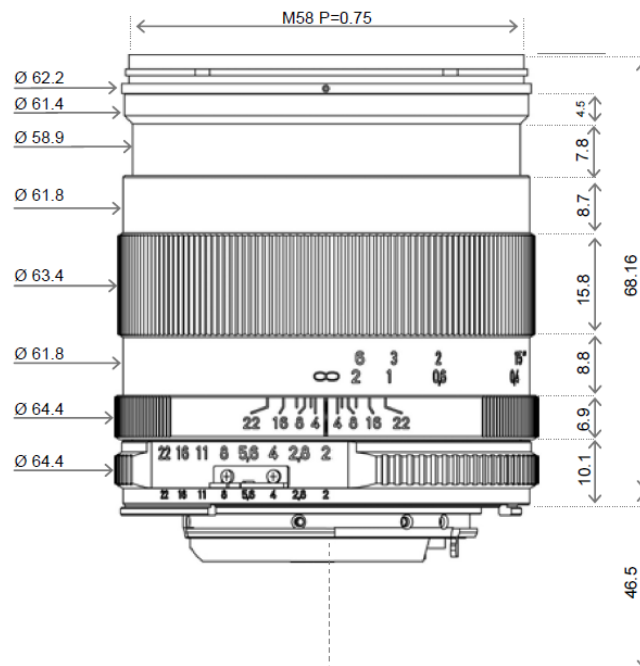
### **Camera Mounts**

Available for other camera mounts such as EF, or M42 screw mount.



# Distagon T\* 2/28

## Technical Specifications



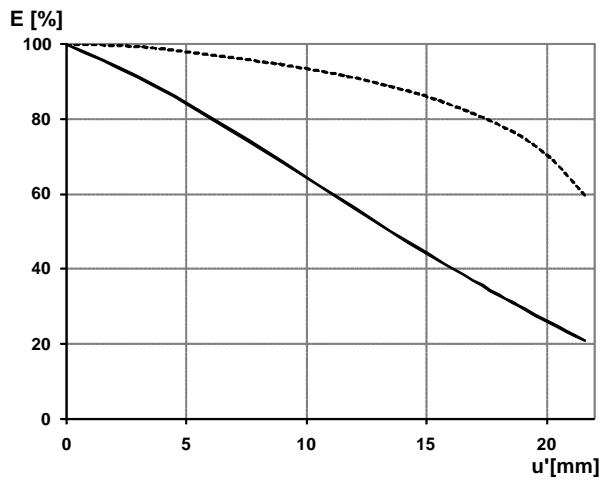
<b>Focal length</b>	28 mm
<b>Aperture range</b>	f/2 – f/22 (1/2 stop intervals)
<b>Number of elements / groups</b>	10 / 8
<b>Min. working distance (object to sensor)</b>	240 mm (0.8 ft.) – ∞
<b>Min. free working distance</b>	120 mm (0.4 ft.) – ∞
<b>Angular field* (diag. / horiz. / vert.)</b>	74 / 65 / 45°
<b>Max. diameter of image field</b>	43 mm (1.7")
<b>Flange focal length</b>	F-Mount: 46.5 mm (1.8"); M42-Mount: 45,5 mm
<b>Coverage at close range</b>	113 x 169 mm ( 4.5 x 6.7"), line 202 mm (7.9")
<b>Image ratio at close range</b>	1:4.7
<b>Filter-thread</b>	M 58 x 0.75
<b>Weight</b>	500 g (1 lbs.)
<b>Camera mount</b>	F bayonet, M42, EF

\* referring to 35 mm format



# Distagon T\* 2/28

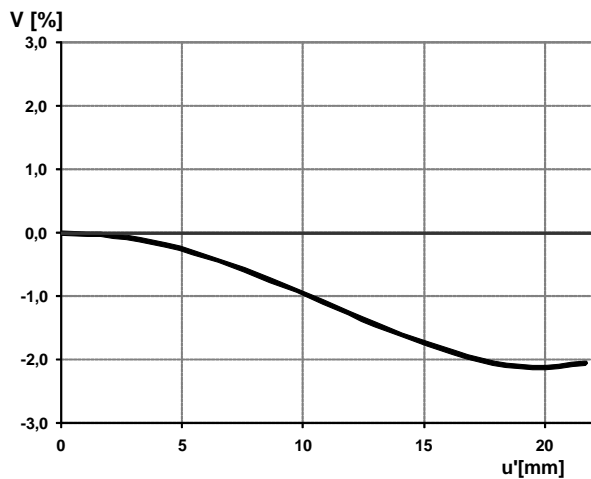
## Relative Illuminance



The relative illuminance shows the decrease in image brightness from the image center to the edge in percent.

— f-number 2  
... f-number 4

## Relative Distortion



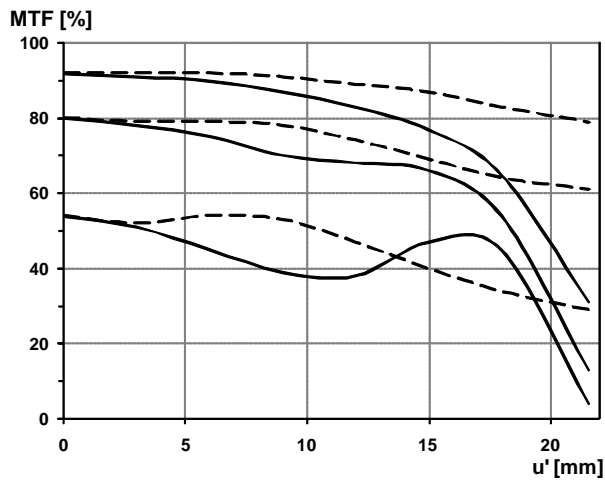
The relative distortion shows the deviation of the actual image height from the ideal one in percent.

*\*Data for infinite focus setting*



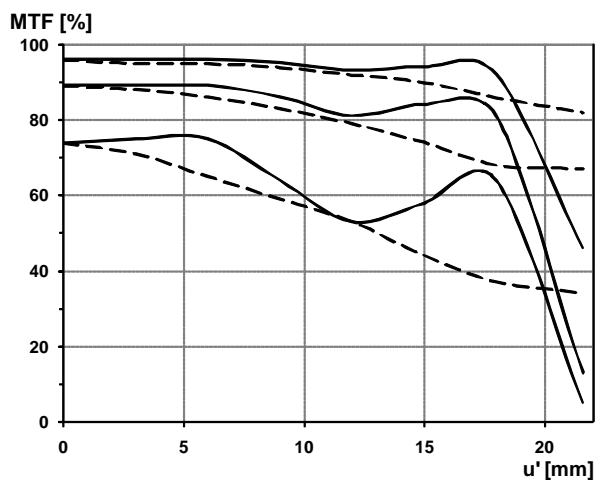
# Distagon T\* 2/28

## MTF Charts



The Modulation Transfer (MTF) as a function of image height ( $u$ ) and slit orientation (sagittal, tangential) has been measured with white light at spatial frequencies of  $R = 10, 20$  and  $40$  cycles/mm.

f-number 2  
— Saggital  
... Tangential

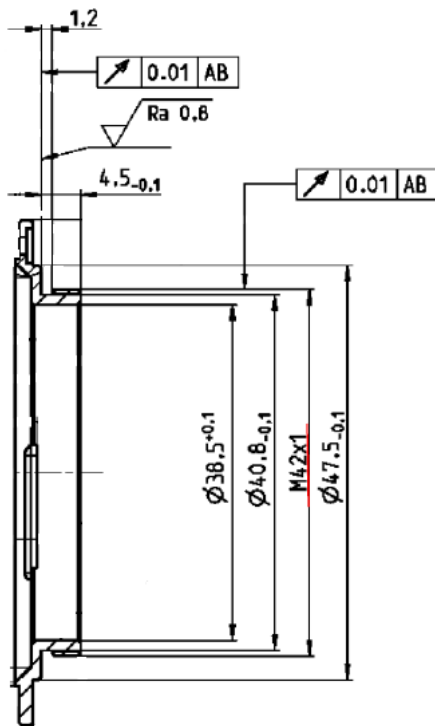


f-number 4  
— Saggital  
... Tangential

*\*Data for infinite focus setting*



# Distagon T\* 2/28



M42 Mount for 45,5 mm Flange Focal Distance

*The diameter of the camera/lens adapter must not exceed 55 mm at the lens side!*

