



945 East 11th Avenue Tampa, FL 33605

Phone: (813) 984-0125

Contact: Sales@ pyramidimaging.com

<https://pyramidimaging.com>

Metaphase
Technologies, Inc.

ULC-2

UNIVERSAL LED CONTROLLER

USER MANUAL

Version 7.X
August 2015

ULC-2 Overview

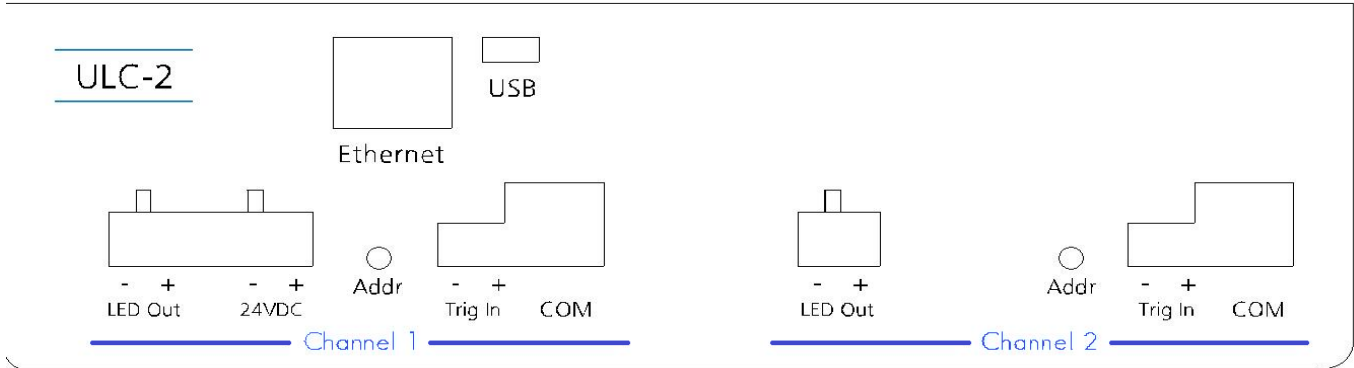
Metaphase Technologies' Universal LED Controller (ULC-2) provides independent true constant-current or voltage control of two LED loads from 0.02 to 4 Amps continuous (DC) with a maximum output power of 60 Watts per channel. In Pulse (Strobe) Mode, the ULC-2 is capable of output currents ranging from 0.1 to 40 Amps. Pulsewidths are adjustable down to 2 microseconds and external trigger rates up to 50kHz. In Voltage Mode, ULC-2 output can range from 3V and 50V in 0.1 Volt increments.

The ULC-2 may be remotely controlled over Ethernet using Metaphase Technologies' MetaBOSS Windows software or by third-party programs using the ULC-2's Ethernet Commands. Additionally, user-adjustments of the ULC-2 are provided by way of a user-friendly LCD interface. Up to five preset configurations may be saved and recalled to meet the changing demands of today's applications.



Wiring Connections

Please refer to the diagram below for LED output and trigger input connections.



The ULC-2 is powered by a user-supplied regulated power supply having the following ratings:

- 24VDC +/-10% recommended. Minimum of 9VDC with DC Mode output power derating (see appendix E).
- 6Amp
- Switching topology (as opposed to linear)
- CE

ULC-2 LED Outputs

- Minimum recommended wire size - 18AWG
- Maximum recommended distance to LED - 10ft (for more info, see Appendix D)
- Un-powered, connect channel 1 & 2 LED loads to the positive and negative LED outputs. Connecting or disconnecting LED loads while the ULC-2 is powered may damage the ULC-2 controller and/or the LED load.
- To minimize rise-time distortion and guarantee pulsewidth values, keep all LED load wires as short as possible, and preferably twisted.

ULC-2 Trigger Inputs – (Minimum Recommended Wire Size – 24 AWG)

- For external trigger operation, each channel has its own separate trigger inputs. Trigger pulses enable the LED output for a period set by the Pulsewidth parameter.
- Twist the + and - input wires together tightly (Twisted pair will pick up less noise)
- Make the trigger input wires as short as possible
- Route the trigger input wires separately from the LED output wires
- Cross wires for other circuits at 90° if necessary. Avoid running them parallel to each other. (Reduce coupling of large transient noise sources to sensitive circuits)

Quick Start

Follow the steps below to quickly setup the Metaphase ULC-2 for basic operation using the ULC-2 keypad:

1. With external loads disconnected, apply 24V power to the unit.

2. After applying power to the device, the boot-up screen will flash and display the current software versions. At the bottom left you will find the current Controller Version followed by the two Driver Versions:

```
Metaphase ULC-2
7.0  7.0  7.0
```

3. When prompted, choose Yes to enter the Setup Menus.

```
Enter Setup?
          No  Yes
```

Though the intended operation of the ULC-2 may be only DC, Voltage or Strobe, the unit should be configured to safely operate in all three modes in case the operation mode is set improperly at a later time. Scroll through the various menus using the **(M)** button located on the ULC-2 front panel.

*If setup prompt is missed at startup, the unit can be prompted to enter the setup menu at any time by pressing the **(M)** **(V)** and **(A)** buttons simultaneously.

- DC Current Limit – set the maximum DC current for which the LED load is rated. A setting of 200mA is the default. (Range 20 – 4000mA. This parameter applies only to DC Current Mode.)

MaxDCAmPs:4000mA Chan 1	MaxDC AmPs: 20mA Chan 2
----------------------------	----------------------------

- Strobe Current Limit – set the maximum peak current for which the LED load is rated for its associated maximum pulse width. A setting of 1000mA is default. (100-40,000mA Range. This parameter applies only to Strobe Mode.)

MaxPulsA:40000mA Chan 1	MaxPulsAmP:100mA Chan 2
----------------------------	----------------------------

- **Pulse width Limit** – set the maximum pulse width associated with the maximum peak current.

```
MaxPulsW:60000us
Chan 1
```

```
MaxPulsW: 200us
Chan 2
```

A low value is safest, but may not be seen if set too low.(2-60,000µs range). A setting of 200µs is default.

- **Strobe Minimum Period Limit** – set the minimum period for which external trigger pulses will be allowed. A high value, ex. 60,000 microseconds, is safest. (20-60,000µs range). A setting of 1000µs is default.

```
MinTPer: 60000us
Chan 1
```

```
MinTrgPer: 20us
Chan 2
```

A high value, ex. 60,000 microseconds, is safest. (20-60,000µs range). A setting of 1000µs is default.

- **Voltage Mode Enable** – A setting of No-normal is default.

```
Volt Mode Enable
Chan 1 Yes
```

```
Volt Mode Enable
Chan 2 No-normal
```

- **Voltage Limit** – Used to limit the maximum voltage output of the ULC-2. (3-50V range. This parameter applies only to DC Voltage Mode). A setting of 3V is default.

```
Out Volts:50.0V
Chan 1
```

```
Out Volts:3.0V
Chan 2
```

- **Trigger Source** – Used to determine Internal or External trigger source. A setting of Internal is default

```
Trigger: Intern
Chan 1
```

```
Trigger: Extern
Chan 2
```

- **Trigger Polarity** - Used to define which edge of the trigger pulse the system fires from.

```
Trigger Polarity
Chan 1 Rising
```

```
Trigger Polarity
Chan 2 Falling
```

Rising edge is the default, which is typical for most users.

- **Trigger Controls DC** - Used to control DC LED output via trigger signal if set to YES; Default (Normal) is a setting of NO. If "Trig Controls DC" is set to YES, then the trigger input will control the DC Current or DC Voltage output. If "Trigger Polarity" is set to "RISING", then the output will be ON when a voltage is present at the trigger input. If "Trigger Polarity" is set to "FALLING", then the output will be ON when a voltage is NOT present at the trigger input."

```
Trig Controls DC
Chan 1 No-normal
```

```
Trig Controls DC
Chan 2 Yes
```

then the output will be ON when a voltage is NOT present at the trigger input."

- Repeat the above steps for Channel 2. Scroll through the channels using the **(C)** button located on the ULC-2 front panel.
- IP Address- To change the IP Address, select IP Addr Octet from the menu. Using the up **(▲)** and down **(▼)** arrow, scroll through each Octet 1-4 to change each segment of the IP address.

IP Addr Octet 1:
172.16.1.1

IP Addr Octet 2:
172.16.1.1

IP Addr Octet 3:
172.16.1.1

IP Addr Octet 4:
172.16.1.1

- Keypad Lock: To prevent changes to the ULC-2 controls, a lock button feature is included
- Keypad Unlock: When locked, press the **(M)** **(▼)** and **(▲)** buttons simultaneously and select YES to enter the setup mode.
From there, scroll down to the Unlock Menu and select UNLOCK.
(A locked controller can also be unlocked via MetaBOSS). A setting of unlocked is default

Keypad Status:
Keys unlocked

Keypad Status:
Keys unlocked

4. Exit the Setup Menus to enter the Run-time Menus.

Exit Setup?
Yes

5. Disconnect power to the ULC-2 device and connect an external LED load.

6. Re-apply power to the ULC-2. Set the DC Current, DC Voltage, and Strobe to application/light preferences.

User-interface Menus

A. Setup Menus

The setup menus below appear only when the ULC-2 is powered on. Each menu described below applies to two channels independently. The menus include:

Trigger Source (Internal or External)

This menu allows the setting of the source of trigger when in Strobe mode. In normal operation, External trigger is selected, but for setup and testing purposes, users may elect to use internal trigger in an effort to verify wiring connections and operation.

When set to External trigger, the ULC-2 will ignore external trigger input events received faster than what is set by Strobe Minimum Period.

For Internal trigger, the frequency of the strobing output is set by Strobe Minimum Period. For both types of trigger, the output Strobe Pulsewidth is determined by the Strobe Pulsewidth parameter.

Continuous (DC) Current Limit

This "Limit" menu provides the user a way to set the upper bound of the LED output DC Current up to 4 A current found in the "Run time" menus. For example, if the DC Current Limit is set to 1.6 Amps, the DC current can be adjusted from 20mA to 1.6 Amps. Such a limit assures adjustments never exceed the limits of the LED load. This limit applies only to DC Current Mode of operation. In DC Voltage Mode, the output current may exceed 4A depending upon the load.

Voltage (DC) Limit

This "Limit" menu provides the user a way to set the upper bound of the LED output DC Voltage (found in the Runtime menu) between 3 and 50 volts. For example, if the DC Voltage Limit is set to 24 volts, the DC Voltage can be adjusted from 3 volts to 24 volts. Such a limit assures adjustments never exceed the limits of the LED load. This limit applies only to DC Voltage Mode of operation. In DC Current Mode, the output voltage may exceed 60V depending upon the load.

Strobe (Pulse) Current Limit

This "Limit" menu provides the user a way to set the upper bound of the LED output Strobe current up to 40 amps found in the "Run time" menus. For example, if the Strobe Current Limit is set to 9 Amps, the Strobe current can be adjusted from 100mA to 9 Amps. Such a limit assures adjustments never exceed the limits of the LED load.

Strobe Pulsewidth Limit

This "Limit" menu provides the user a way to set the maximum LED output Strobe Pulsewidth found in the "Run time" menus. For example, if the Strobe Pulsewidth Limit is set to 100 microseconds, the Strobe Pulsewidth can be adjusted from 2 to 100 microseconds. Such a limit assures adjustments never exceed the limit of the LED load.

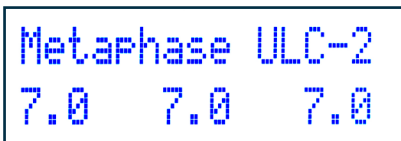
User-interface Menus

Strobe Minimum Period Limit

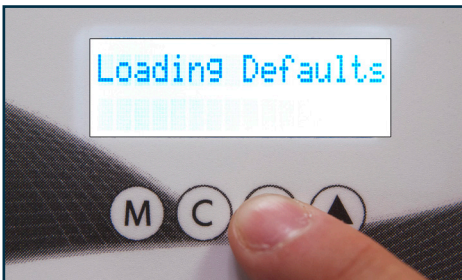
This “Limit” menu provides the user a way to set the Minimum Period of the external strobe triggers found in the “Runtime” menus. For example, if the Minimum Period Limit is set to 100 microseconds, the Minimum Period can be adjusted from a maximum of 60 milliseconds down to a minimum of 100 microseconds. Such a limit assures adjustments never exceed the limits of the LED load.

Restore to Default

This allows for the device to be restored to original factory settings, but does not change the IP address. First, reboot the device until the version menu is displayed.



When the above is displayed, hold the Down Arrow  button to restore default settings.





The device should now be restored to the original settings and prompt you to enter setup mode.

Jump to Setup

Hold down the   and  buttons simultaneously to return to the Setup Menu at any time.

Resetting IP Address

In the unlikely event that, the software is corrupted, preventing IP address changes within the Setup menu, the IP Address can be reset to 172.16.1.1 by pressing  &  simultaneously immediately after power up. Alternatively, for applications where the controller does not have buttons on the front face, the IP address can be reset to 172.16.1.1 by power cycling the controller four times, leaving it in powered on for 5 to 6 seconds each time. Exceeding the 6 seconds will reset the counter and subsequently require four more power cycles.

Runtime Menus

These menus are shown after the setup menus. Each menu described below applies to two channels independently. The menus include:

Mode - The Mode menu controls whether the ULC-2 output is continuous DC current, DC voltage, or Strobed.

```
Mode: DC Current
Chan 1
```

```
Mode: Strobe
Chan 1
```

DC Current - The DC current menu controls the ULC-2 output from 20mA to the Current Limit value set in the Setup menus. This menu appears only when the mode is set to DC Current.

```
LED Output: On
Chan 1
```

```
DC Amps: 100mA
Chan 1
```

```
No Errors
Chan 1
```

```
Preset #1
Save Recall
```

DC Voltage - The DC Voltage menu controls the ULC-2 output from 3V to the Voltage DC Limit value set in the Setup menus. This menu appears only when the mode is set to DC Voltage.

```
DC Volts: 3.0V
Chan 1
```

```
LED Output: On
Chan 1
```

```
Preset #1
Save Recall
```

Strobe Pulse Current - The Pulse current menu controls the ULC-2 output from .1 Amps to the Pulse Current Limit value set in the Setup menus. This menu appears only when the mode is set to Strobe.

```
LED Output: On
Chan 1
```

```
PulsAmps: 500mA
Chan 1
```

```
Preset #1
Save Recall
```

```
Trig Del: 6us
Chan 1
```

```
OneShot Int Trig
Chan 1 Yes
```

```
No Errors
Chan 1
```

Strobe Pulsewidth - The Strobe Pulsewidth menu controls the ULC-2 output from 2 microseconds to the Strobe Pulsewidth Limit value set in the Setup menus. This menu appears only when the mode is set to Strobe.

```
PulWidth: 10us
Chan 1
```

Strobe Minimum Period - The Strobe Minimum Period menu controls the ULC-2 output from 60 msec down to the minimum value set by Strobe Minimum Period Limit value set in the Setup menus. This menu appears only when the mode is set to Strobe. The ULC-2 controller ignores trigger inputs faster than the Strobe Minimum Period.

```
TPeriod 30000us
Chan 1
```

Runtime Menus

Strobe Trigger Delay

The Strobe Trigger Delay menu controls the delay between a trigger input and the ULC-2's subsequent pulse output from 60 msec down to the minimum. There exists a minimum delay of 6 usec (typical) by default. This menu appears only when the mode is set to Strobe.

One-shot Internal Trigger

This menu allows the user to simulate one cycle of strobe output triggered by the internal trigger. During setup, this feature helps the user determine the appropriate values of pulse width, period, and strobe current for their specific application. This menu appears only when the mode is set to Strobe.

Save/Recall (5 Presets)

This menu allows all Setup and Runtime settings to be stored in up to 5 presets. Each preset allows parameter settings for both Channels 1 & 2.

To use one of the presets, select what mode the device will be operating under (Strobe, DC Current, or DC Voltage) and change settings as desired. After going through all settings, you will find the Preset Display:



```
Preset #1
Save Recall
```

To save the options chosen select the preset number you would like with the **C** button

After choosing which preset to use, select the down arrow **▼** to save.



```
Preset Setting 1
Saved
```

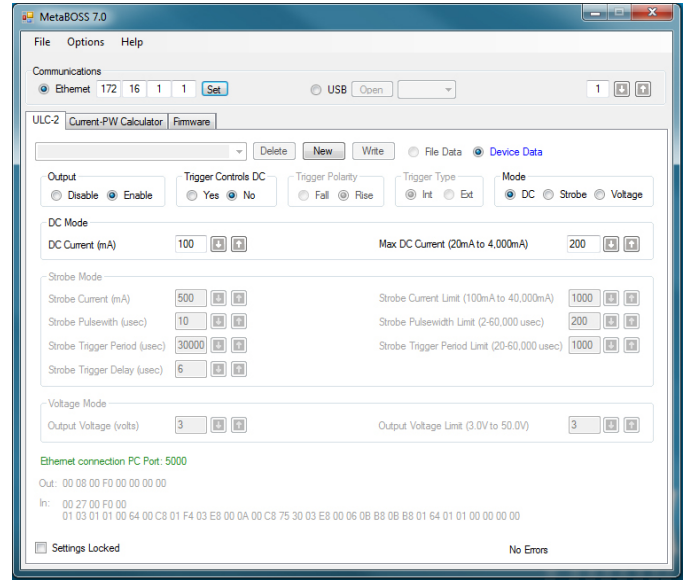
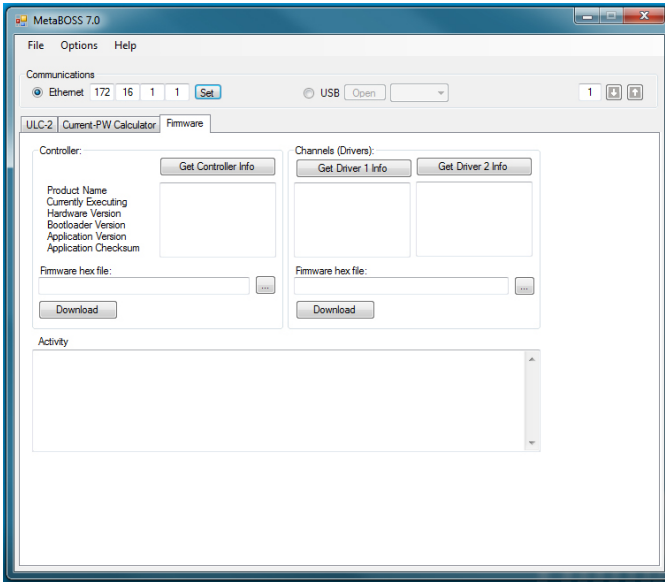
To recall a saved setting, select the desired preset number and hit the up arrow **▲**. This will recall your pre-defined settings as desired.



```
Preset Setting 5
Recalled
```

MetaBOSS Windows Control Software

Metaphase provides Windows software to control ULC-2 controller from a remote PC. Please follow the instructions below for setting up the MetaBOSS software:



MetaBOSS Installation & Operation

- Go to http://www.metaphase-tech.com/Controllers/Controllers/ULC_2 to download a copy of the latest MetaBOSS software.
- Unzip the file into a folder of your choosing (typically c:\Metaboss)
- Microsoft .Net Framework 4.0 or later must be installed on the PC. The free upgrade may be found at <http://www.microsoft.com/download/en/details.aspx?id=17851>
- The ULC-2 Controller has a default IP address of 172.16.1.1. The PC running MetaBOSS must be on the same subnet. i.e. – the PC must have an address beginning with 172.16. As required, set the IP address of the host PC to a 172.16 address (such as 172.16.0.100). The subnet mask should be set to 255.255.0.0 on a 172.16 network and 255.255.255.00 on a 192.168 network.
- Connect the ULC-2 and host PC, using standard CAT-5 patch cables, to an Ethernet switch. Alternatively, connect the host PC directly to the ULC-2 using a “cross-over” CAT-5 cable.
- Double-click the MetaBOSS.exe application within the installed folder.
- ULC-2 parameters should be displayed automatically upon startup

ULC-2 Ethernet Command List

For users that do not want to use the MetaBOSS Software or the ULC-2 keypad, Metaphase provides an Ethernet command list that can be embedded into users' custom programs. All commands are UDP.

The default IP address of the ULC-2 is 172.16.1.1, but can be changed as described elsewhere in this manual.

The ULC-2 port is 5000 (i.e. the destination port) and can listen for messages originating from any port should port 5000 not be available on the Windows PC. Use the link below to access the complete command list on Metaphase Technologies' website, located in the "file cabinet" at the bottom of the page:

http://www.metaphase-tech.com/Controllers/Controllers/ULC_2

The Ethernet commands are of the following format:

Incoming and Outgoing Message Structure:

<2-byte length> <1-byte channel> <1-byte command> <1-byte reserved> <3-bytes of data>

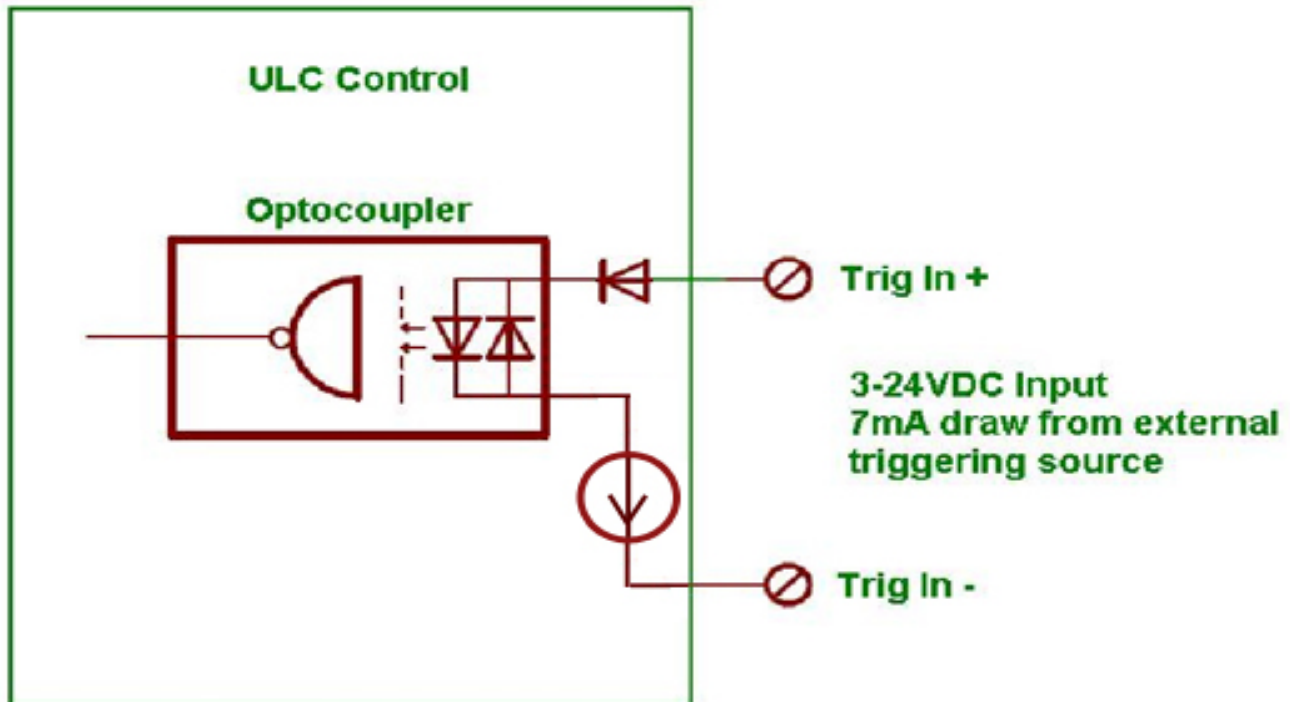
Message Example: 00 08 01 BF 00 00 9A 5B

all data is in Hex (the space between bytes are added here just for readability and should not be included in the message)

- Length is 00 08 the length is always 00 08
- Channel is 00 channel is either 00 or 01
- Command is BF command for setting Pulse current
- Reserved is 00 reserved is always 00
- Data is 00 9A 5B Pulse current is 39,515mA (9A5B hex is 39515 decimal)

ULC-2 Trigger Input Equivalent Schematic

ULC Trigger Input Equivalent Schematic



Wiring Connections and Noise Considerations

In general, the LED load should be 10' or less away from the ULC-2 and the wire should be 18AWG or larger. This will work well in most cases where the pulsewidth is 40us or more, the pulse current is 40A or less, and the nominal forward voltage of the LED is 25V or less. One exception is LED loads which include significant amount of internal equivalent series resistance. In such cases, the internal LED resistance should be added to the LED wiring resistance in the formulas below.

If the pulsewidth is less than 40us, the pulse rise time due to lead wire inductance may become unacceptable since the rise time may become a significant percentage of the pulsewidth. Setting the pulse period to at least 20 times the pulsewidth will help since it will allow the ULC-2 to apply a higher voltage in order to charge the inductance more quickly without dissipating too much power. Otherwise, shortening the distance to the LED will reduce the inductance and shorten the rise time to produce better pulse.

For demanding applications with pulsewidths less than 20us, the pulse rise time in microseconds can be predicted with the following formula:

$$t_{rise} = 0.012 * i * d$$

Where:

- t_{rise}** is the rise time in microseconds
- i** is the pulse current in Amps
- d** is the distance from the ULC to the LED in feet

For example, if d = 10ft and i = 40A, we expect a rise time of nearly 5us which would be half of a 10us pulse. This formula is based upon the following assumptions:

1. As a rule of thumb, the inductance of a straight wire is about 12nH per foot and does not depend very much on the wire size.
2. The total length of the wire is 2 times the distance between the ULC-2 and the LED.
3. For pulsewidths less than 20 times the pulse period, the ULC-2 develops about 2V across the lead wire inductance.
4. There is no inductance internal to the LED load.

For demanding applications where the LED must be located further than 10' away from the ULC-2, or the wire size must be smaller, or the LED includes a significant amount of internal resistance, use this formula to calculate the permissible voltage drop in the LED wiring:

$$Vd < 50 - (r_{LED} * i) - (1.3 * Vf)$$

Where:

- Vd** is the voltage drop across the LED wiring in Volts
- r_{LED}** is the internal equivalent series resistance of the LED in ohms
- Vf** is the nominal forward voltage of the LED load at rated current in Volts
- i** is the pulse current in Amps

Then, the following formula may be used to calculate the LED wiring voltage drop depending upon the distance to the LED and the size of the wire used:

$$Vd = \frac{2 * d * r * i}{1000}$$

Where:


- Vd** is the voltage drop across the LED wiring in Volts
- d** is the distance from the ULC to the LED in feet
- r** is the resistance of the LED wiring in ohms/kft (ohms per 1000 ft)
- i** is the LED current in Amps

For reference, the following table shows the wiring resistance for a range of different wire sizes:

Wire Size (AWG)	Resistance (ohms/kft)
24	26.2
22	16.5
20	10.4
18	6.51
14	2.58
12	1.62

Specifications

General

Channels:	2 Channels, Independantly Controllable
Supply Voltage:	24VDC (+/- 10% switching power supply recommended), 6 amps
Trigger Input:	
Optically Isolated	Yes
Voltage:	3V to 30V
Current:	6mA typical, 10mA max
Rate:	50kHz maximum
Pulsewidth	2us minimum
Edge/Polarity	Rising or Falling Edge (Strobe Mode) High or Low Level On (DC Current and DC Voltage Modes)
Ethernet Control:	UDP messaging listening on port 5000 for any incoming source port
IP Address:	User selectable. Defaults to 172.16.1.1
Operating Modes:	Strobe (Pulse), DC Current, DC Voltage
ROHS Compliance:	Yes 
Expected Lifetime:	75,000 hours
Mounting:	DIN Rail (vertical preferred for maximum power output)
Dimensions:	7.40in x 4.72in x 2.27in (187.96mm x 120.65mm x 57.658mm)
Weight:	1.5lbs
Operating Ambient Temperature	35C (95F) maximum
Operating Humidity	0% to 90% RH non-condensing
Enclosure IP Rating	None

Specifications [continued]

Strobe Mode Output

Voltage:	0V to 60V
Current:	100mA to 40A
Pulsewidth:	2 μ s to 60ms
Period:	0 to 50kHz (infinite to 20 μ s period)
Trigger Delay (delay between trigger event and start of output pulse):	6 μ s (typical) to 60ms
Combined Current, Pulsewidth, and Period Limitations:	<p> $pw \leq 0.01 / i$ (single pulse limit) $T \geq 319 * (pw * i) * (pw * \text{Max}(i - 4, 0) + 0.0011)$ (FET average power limit) $T > pw + 15\mu s$ (retrigger time limit) $T \geq 20$ ($f \leq 50\text{kHz}$, trigger frequency limit) where: pw = pulsewidth in seconds i = pulse current in Amps T = pulse (or trigger) period in seconds f = pulse (or trigger) frequency in Hz </p>

DC Current Mode Output

Current:	20mA to 4A
Voltage:	3V to 60V
Continuous Power:	60W maximum per channel

DC Voltage Mode Output

Voltage:	3V to 50V
Current:	20mA to 4A
Continuous Power:	60W maximum per channel

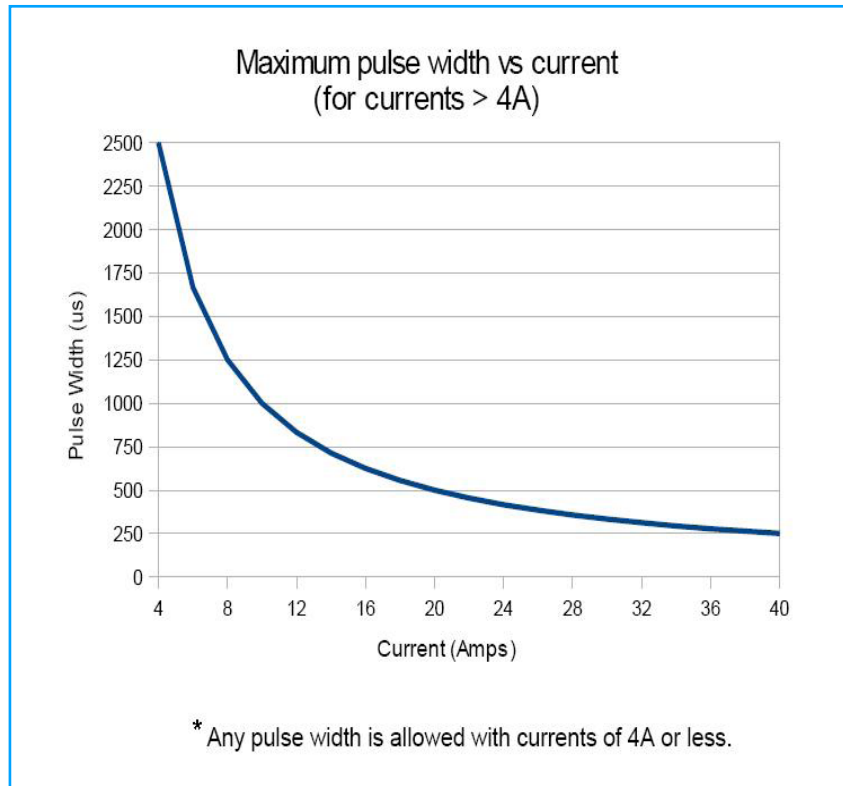
Single Pulse Limit in Strobe (Pulse) Mode

The ULC-2 works by discharging a capacitor into the load at a constant current. At 4A or less, the capacitor can be recharged as fast as it is discharged allowing the pulsewidth to be up to the maximum of 60ms regardless of the exact current. Above 4A, the pulsewidth and current are constrained by the following equation. The ULC-2 will automatically limit the pulsewidth or current to satisfy this equation.

$$pw \leq 0.01 / i$$

where: pw = pulsewidth in seconds
i = current in Amps

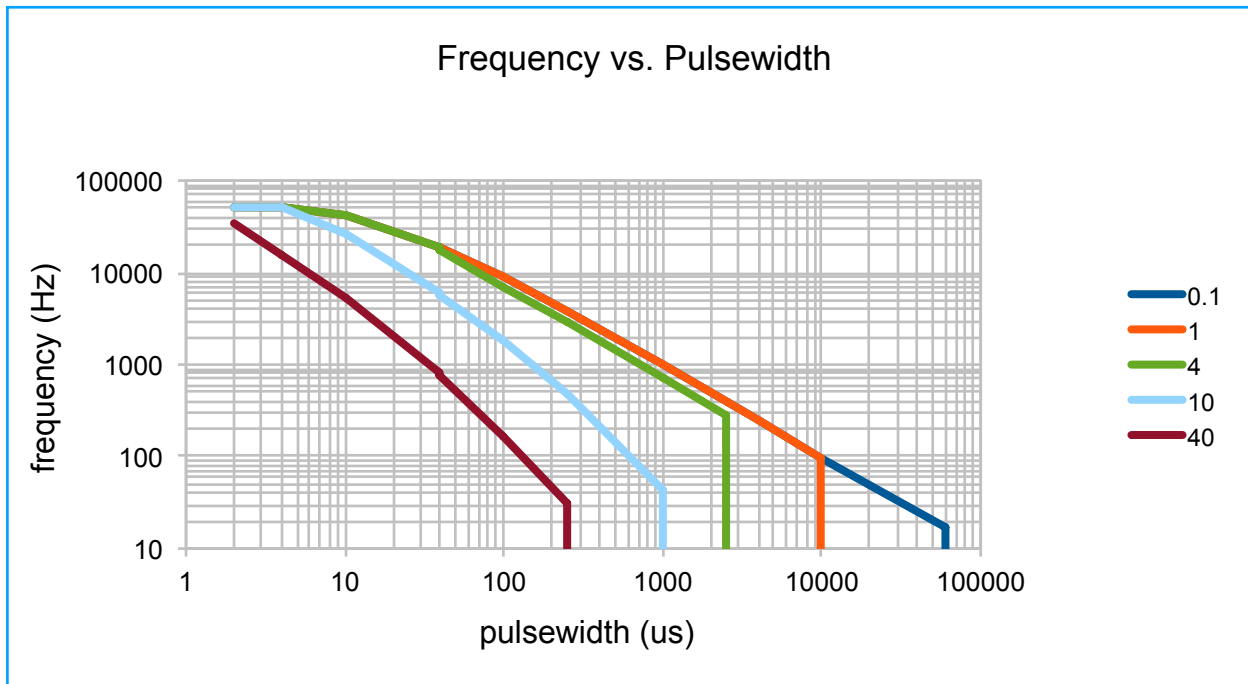
The relationship in this equation is shown in the following diagram:



For example, the ULC-2 will not allow output pulsewidths greater than 500 microseconds if the output pulse current is set to 20A.

Trigger Frequency Limit in Strobe (Pulse) Mode

The output pulse frequency of ULC-2 is limited by the maximum allowed average power dissipation in the output FET, the minimum idle time after a pulse ends before triggering the next pulse, and an absolute maximum of 50kHz. The equations for these limits are shown in the Strobe Mode Output Specifications on page 16. The ULC-2 will automatically limit the output frequency (trigger period) to satisfy these limits. The result of these equations are shown in the following diagram:



For example, with a pulse current of 10A and a pulsewidth of 100us, the ULC-2 will not allow a pulse frequency of more than 1.844kHz (542us period).

ULC-2



945 East 11th Avenue Tampa, FL 33605

Phone: (813) 984-0125

Contact: Sales@ pyramidimaging.com

<https://pyramidimaging.com>