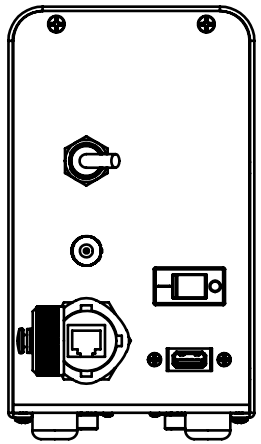
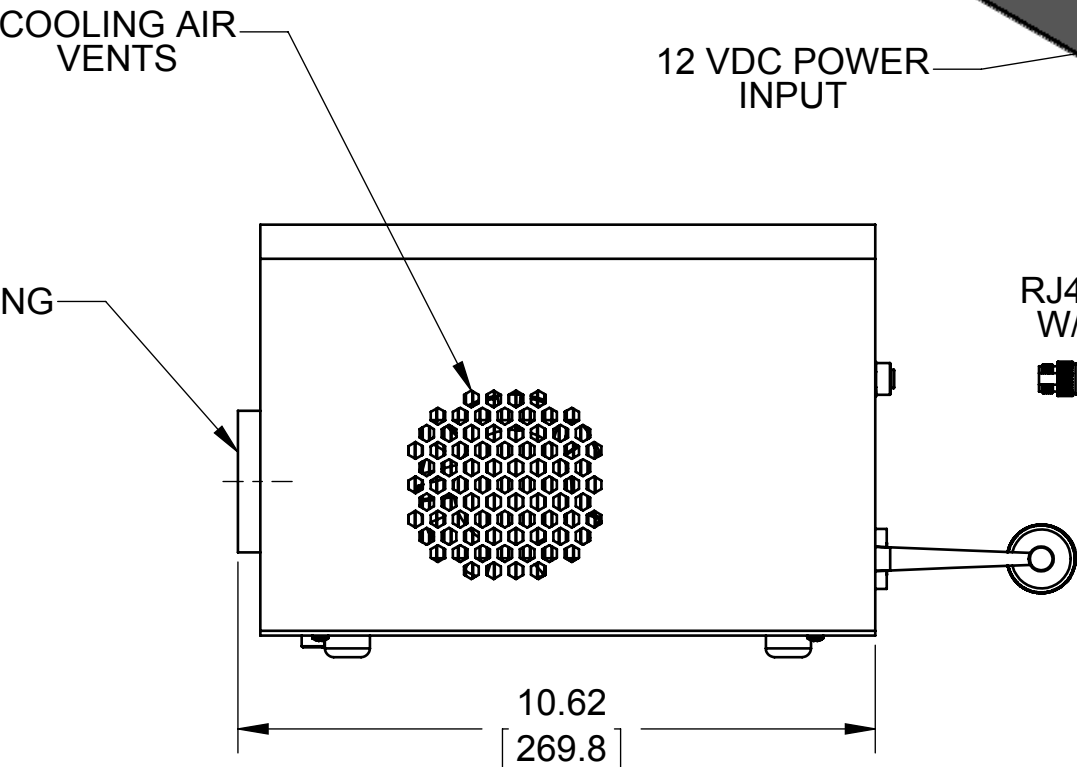
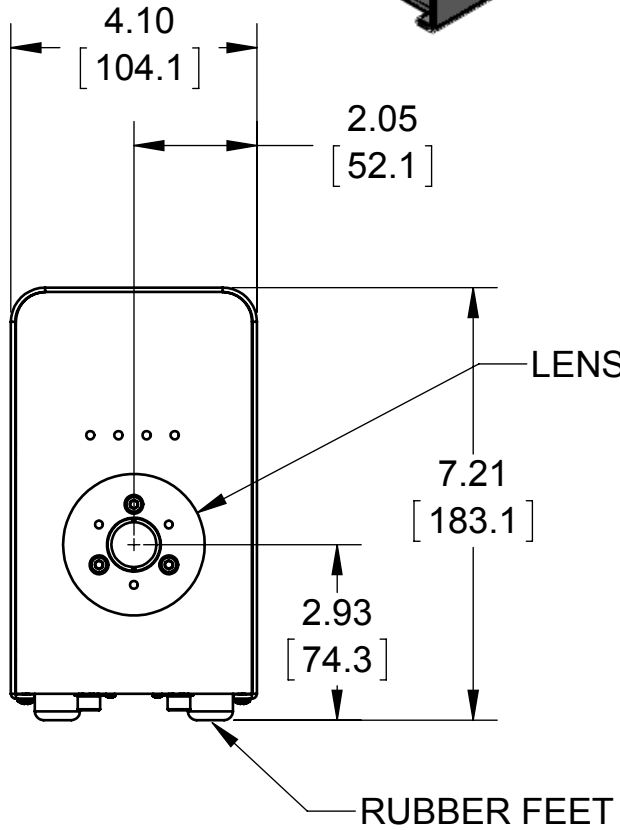
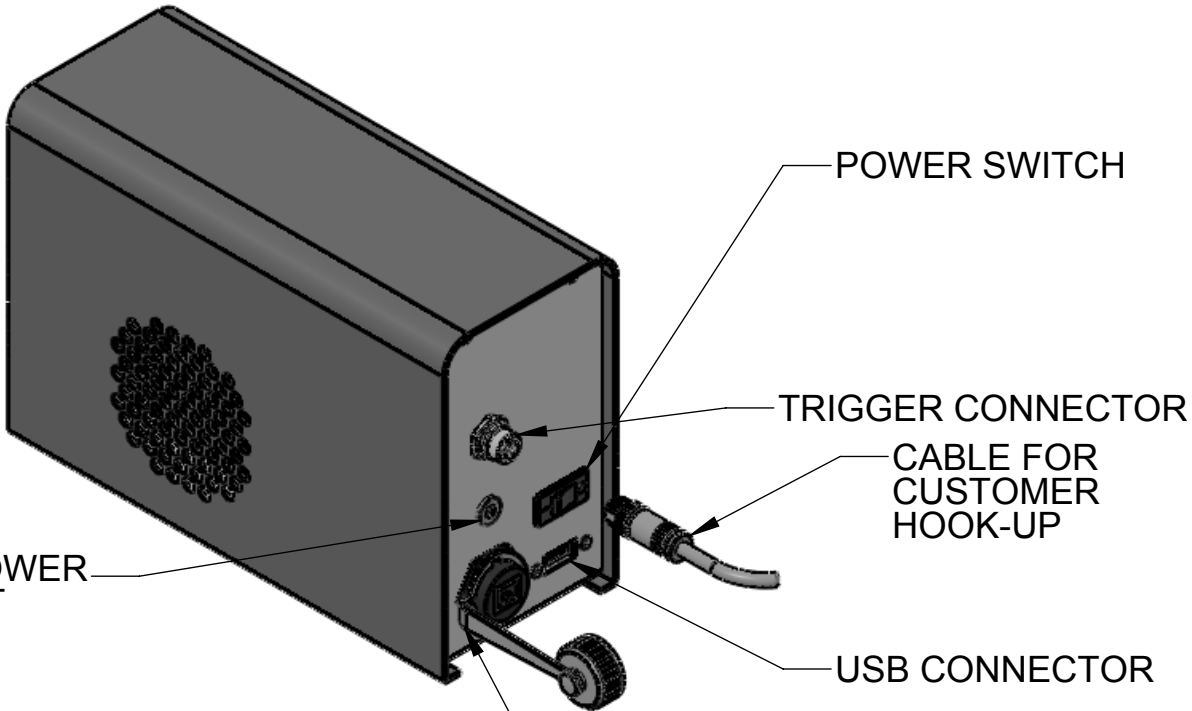
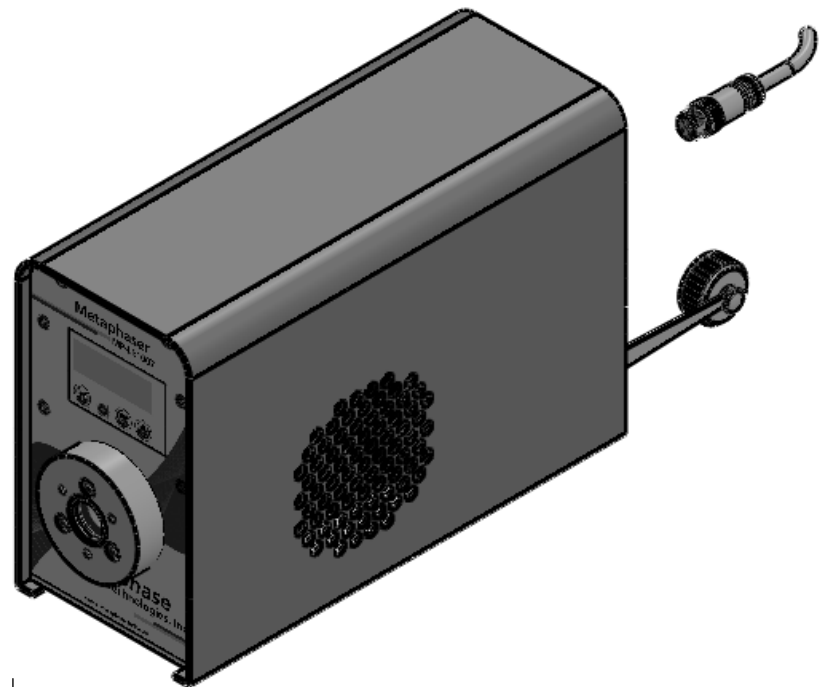


REVISIONS				
REV.	DESCRIPTION	DATE	APPROVED	
A	INITIAL RELEASE	5/1/2013		
B	REDESIGNED INTERNAL COMPONENTS; ADDED SECOND COOLING FAN.	7/1/2013		



**APPROVED**  
By Kevin High at 1:50 pm, Jul 09, 2013

Approval Signature

Date

R



945 East 11<sup>th</sup> Avenue Tampa, FL 33605

Phone: (813) 984-0125

Contact: Sales@pyramidimaging.com

<https://pyramidimaging.com>