

Metaphase Fiber Optic LED Illuminator

Model#: MP-LED-150

Metaphase
Technologies, Inc.

Pyramid Imaging 



- High Intensity, low cost Fiber Illuminator
- White light intensity up to 1.8 million Lux
- Additional intensity up to 2.23 Million Lux with Optional Optical Condenser
- Stackable housing design
- Low operating temperature
- Extremely quiet
- Designed and fabricated in USA
- 2 year limited warranty
- Compatible with various fiber sizes
- Manual Intensity (dimming) control
- Includes 115/220VAC, 50/60Hz 12 Power adapter
- Universal and manufacturer specific nosepieces available

Part #	Color	Power Supply	Specifications:	
MP-LED-150-W-24	White 6000K	24 volt power supply available upon request.	Power Source	110/220VAC ; 50/60Hz
MP-LED-150-R-24	Red 630nm		Current Draw	3.5A @ 12VDC
MP-LED-150-B-24	Blue 455nm		Finish	Powder Coating Blue
MP-LED-150-G-24	Green 530nm		Color Temperature	6000k White
MP-LED-150-IRN-24	Infrared 850nm		Weight	5lbs / 2.26kg
			Operating Temperature	120° F Max
			Compliance	CE/RoHS
			Lifetime Hours	75,000 Hours
			Illuminance	1.8 Million Lux
			- with Optical Condenser	2.23 Million Lux

10 ft. flying leads come standard on all products.
Light features built-in constant current driver.
No expensive controller required.

ORDERING INFORMATION:

• M P - L E D - 1 5 0 - - 2 4 -

W White 5500k
R Red 630nm
G Green 530nm
B Blue 455 nm
IRN Infrared 880nm

Metaphase Fiber Optic LED Illuminator

Model#: MP-LED-150

Metaphase
Technologies, Inc.

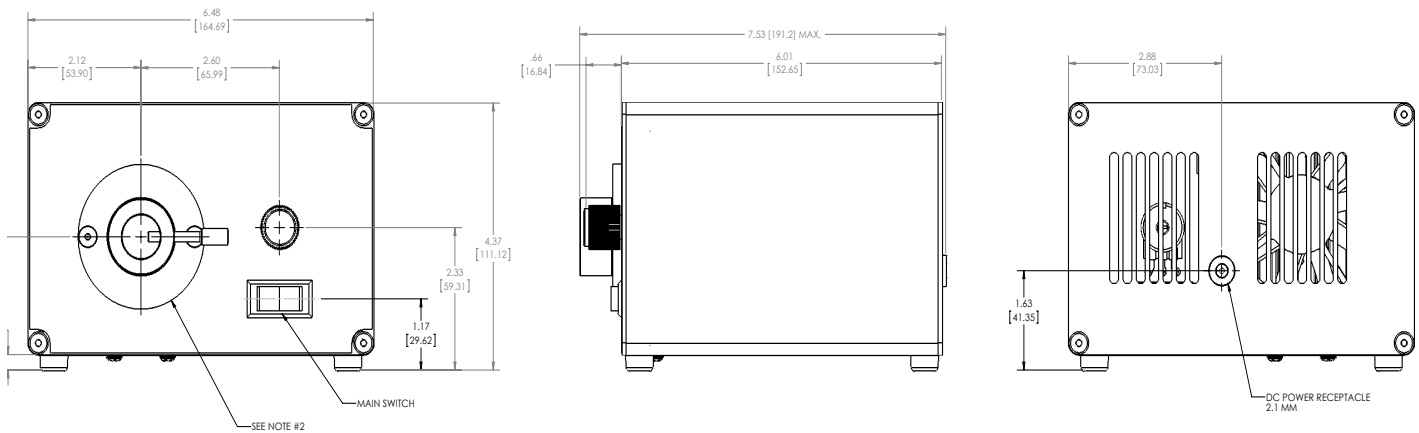
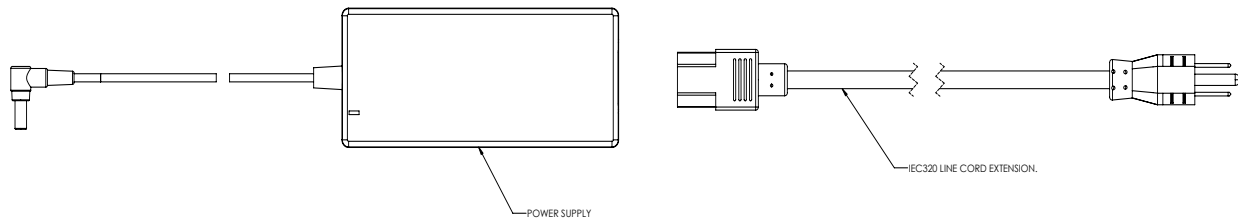
Dimensions

Length:	7.53in	191.2mm
Width:	6.48in	164.69mm
Height:	4.37in	111.12mm

Contact Us:

Contact your Metaphase Technologies Representative for options including: Filter Options, Power Options, & Wavelength.

Drawing/Diagram



RWIS SPECIFIED
TA:
CONSISTS OF BASE UNIT AND NOSE PIECE. REFER TO DRAWING #MP-LED-150-2-XXX FOR SPECIFIC NOSE PIECE.



945 East 11th Avenue Tampa, FL 33605

Phone: (813) 984-0125

Contact: Sales@pyramidimaging.com

<https://pyramidimaging.com>