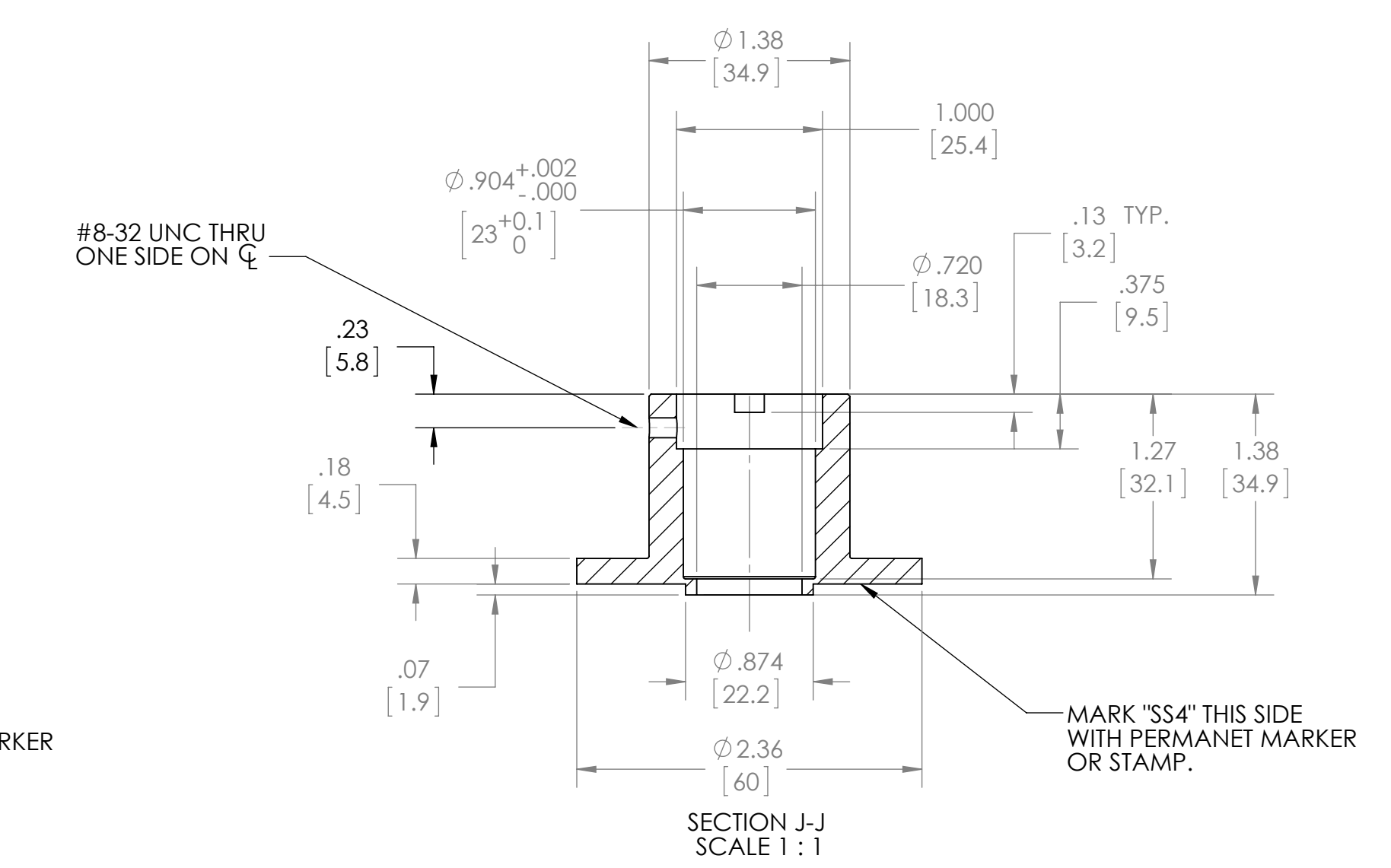
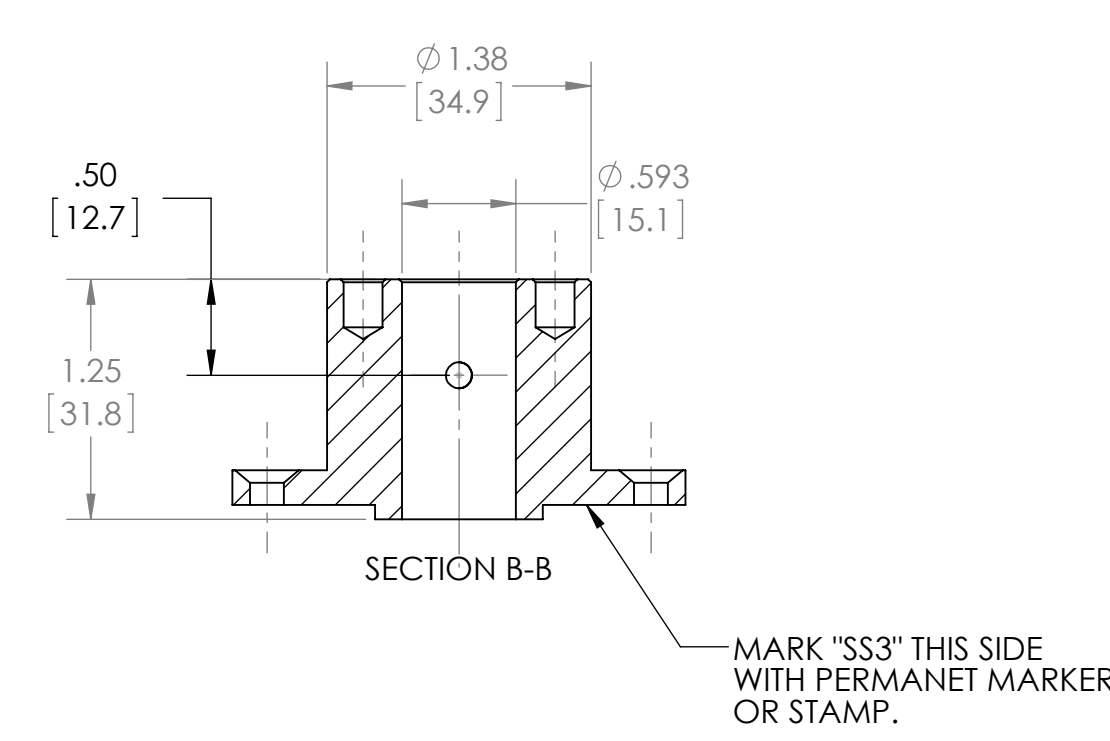
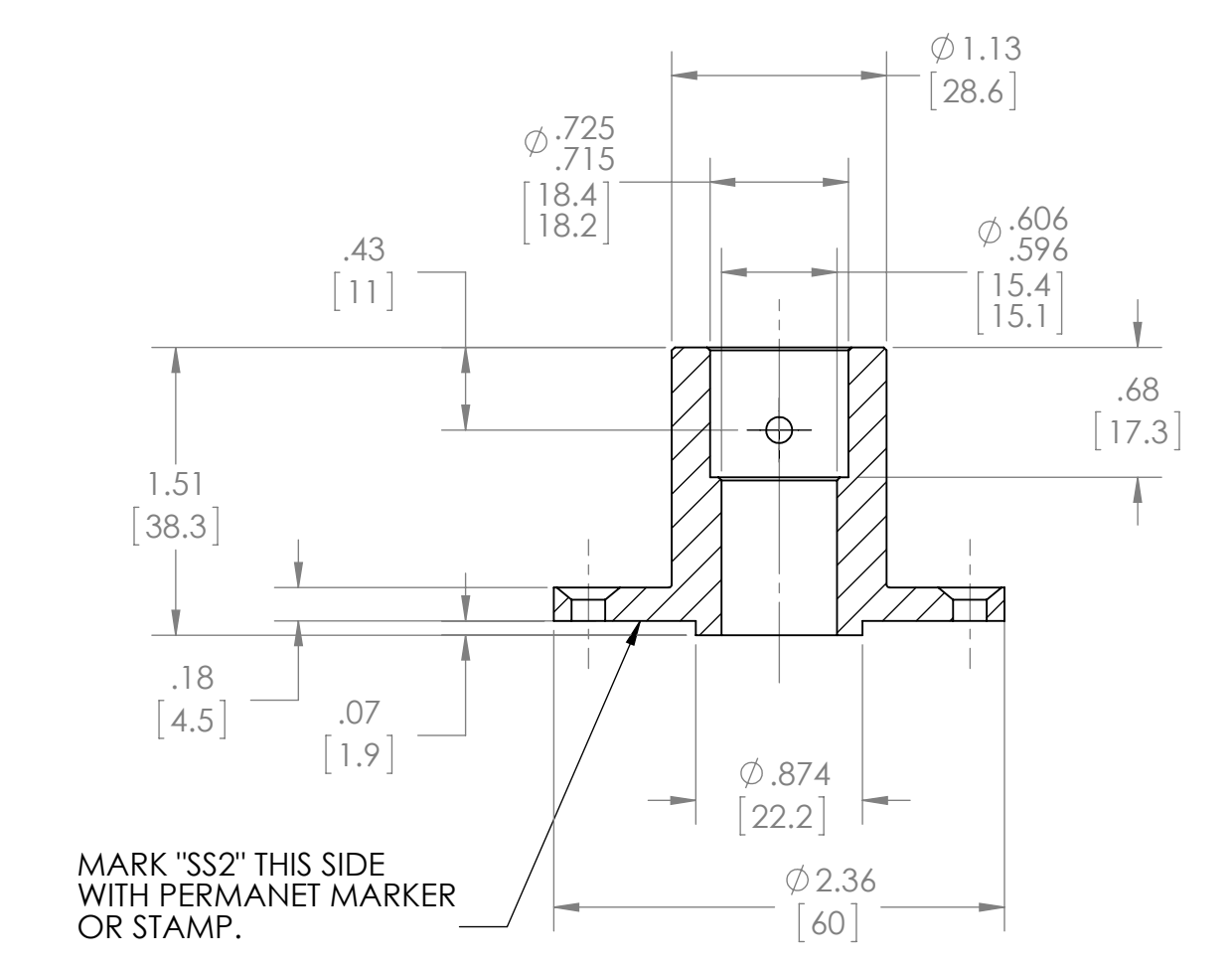
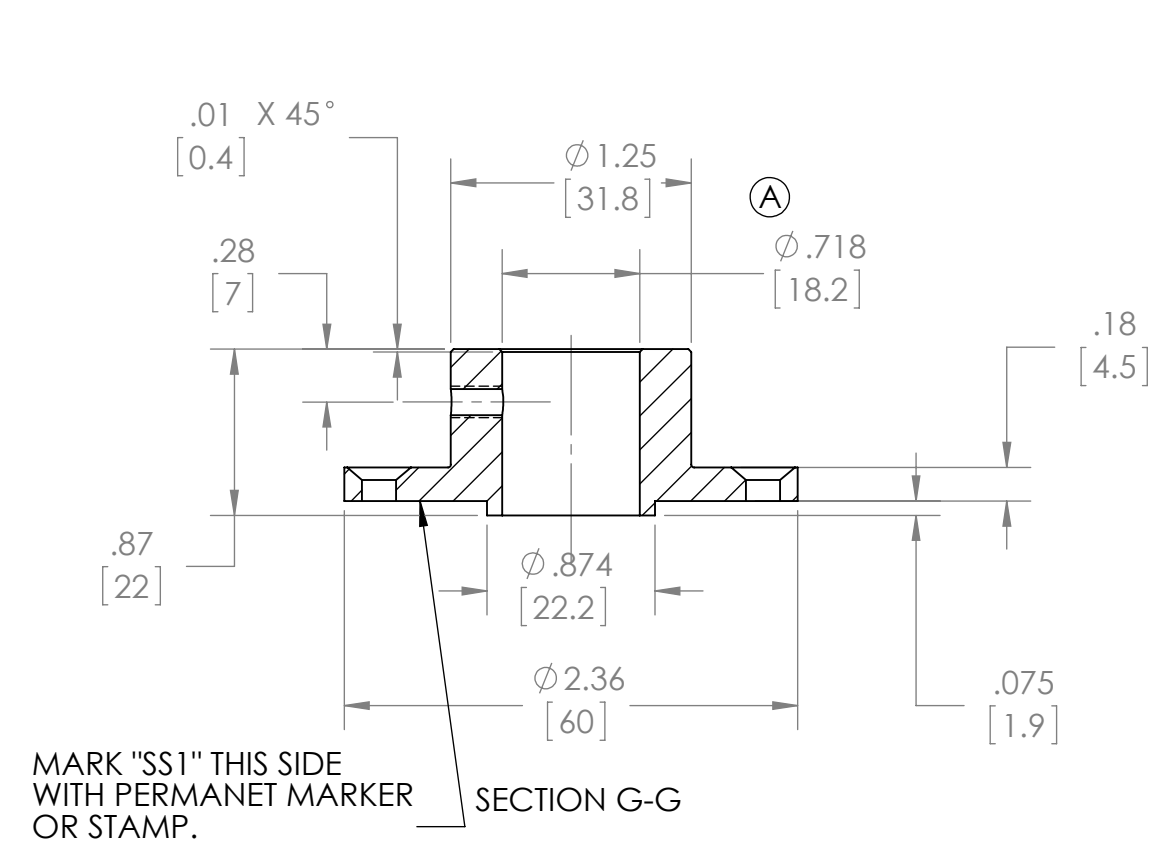
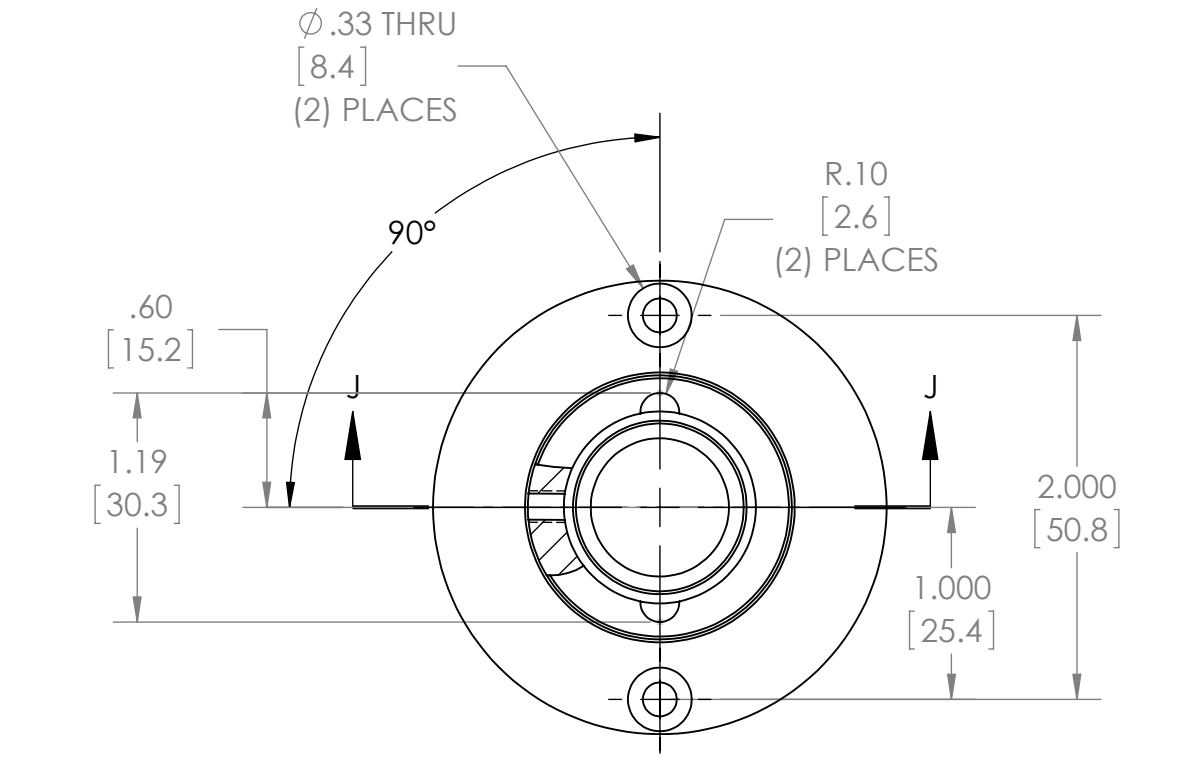
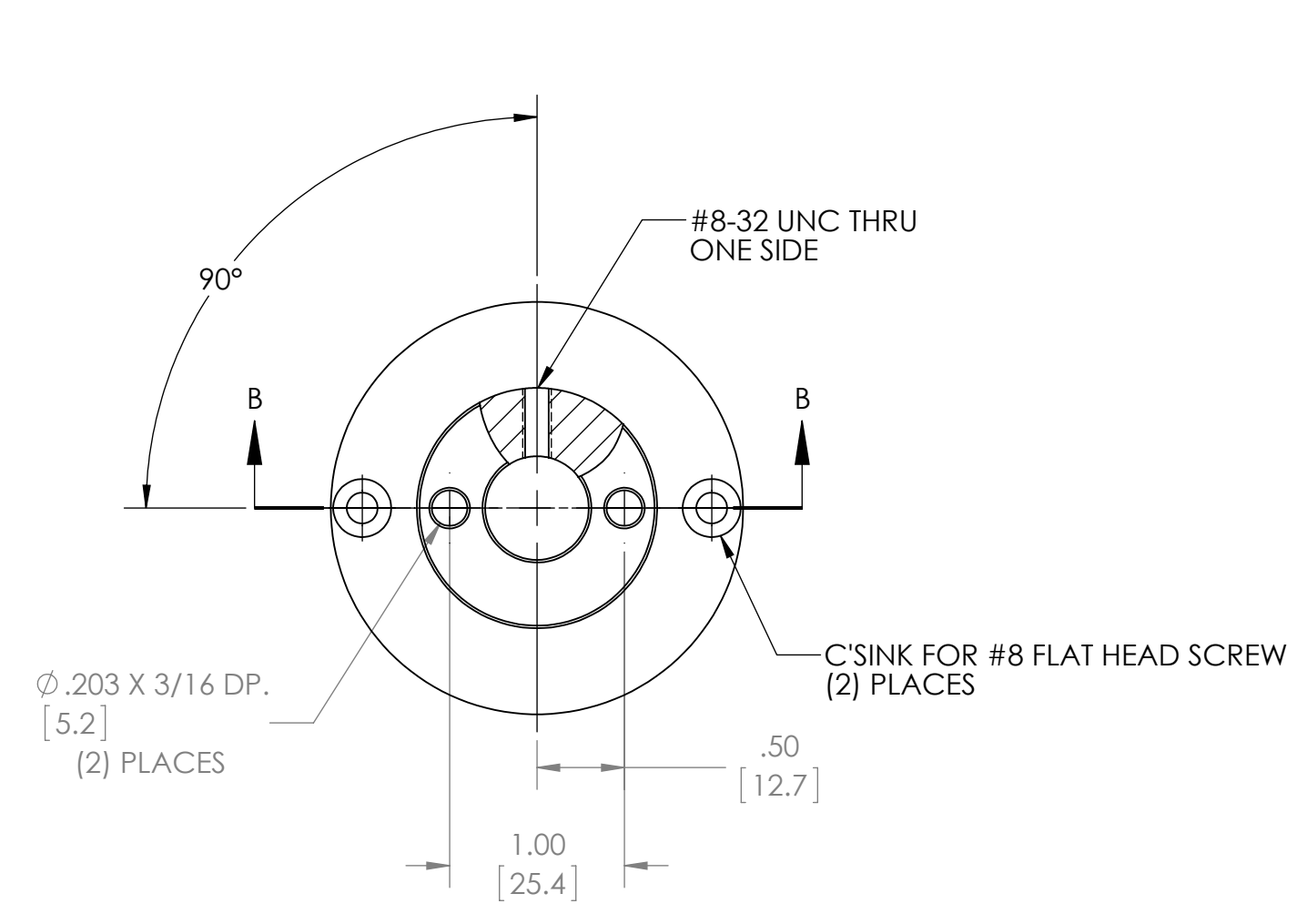
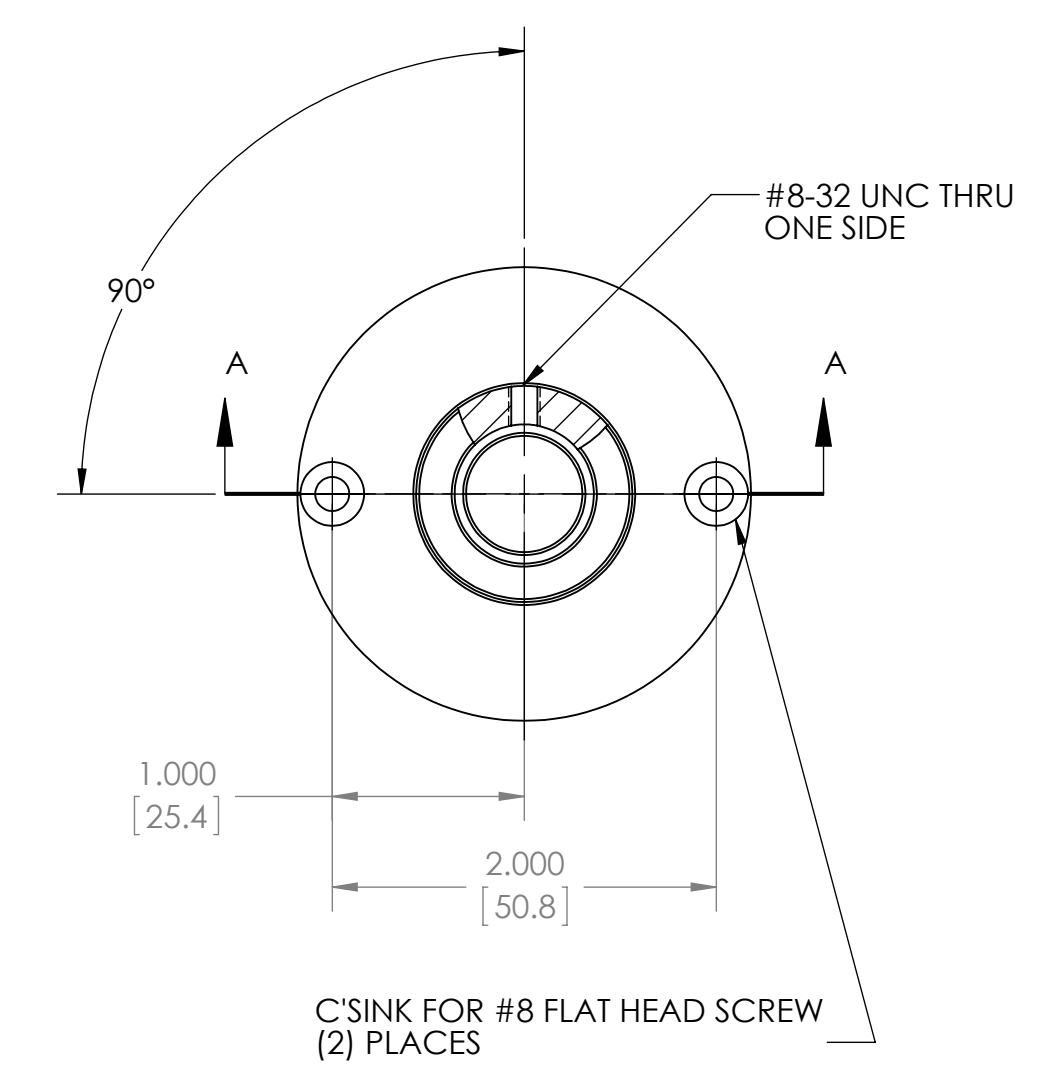
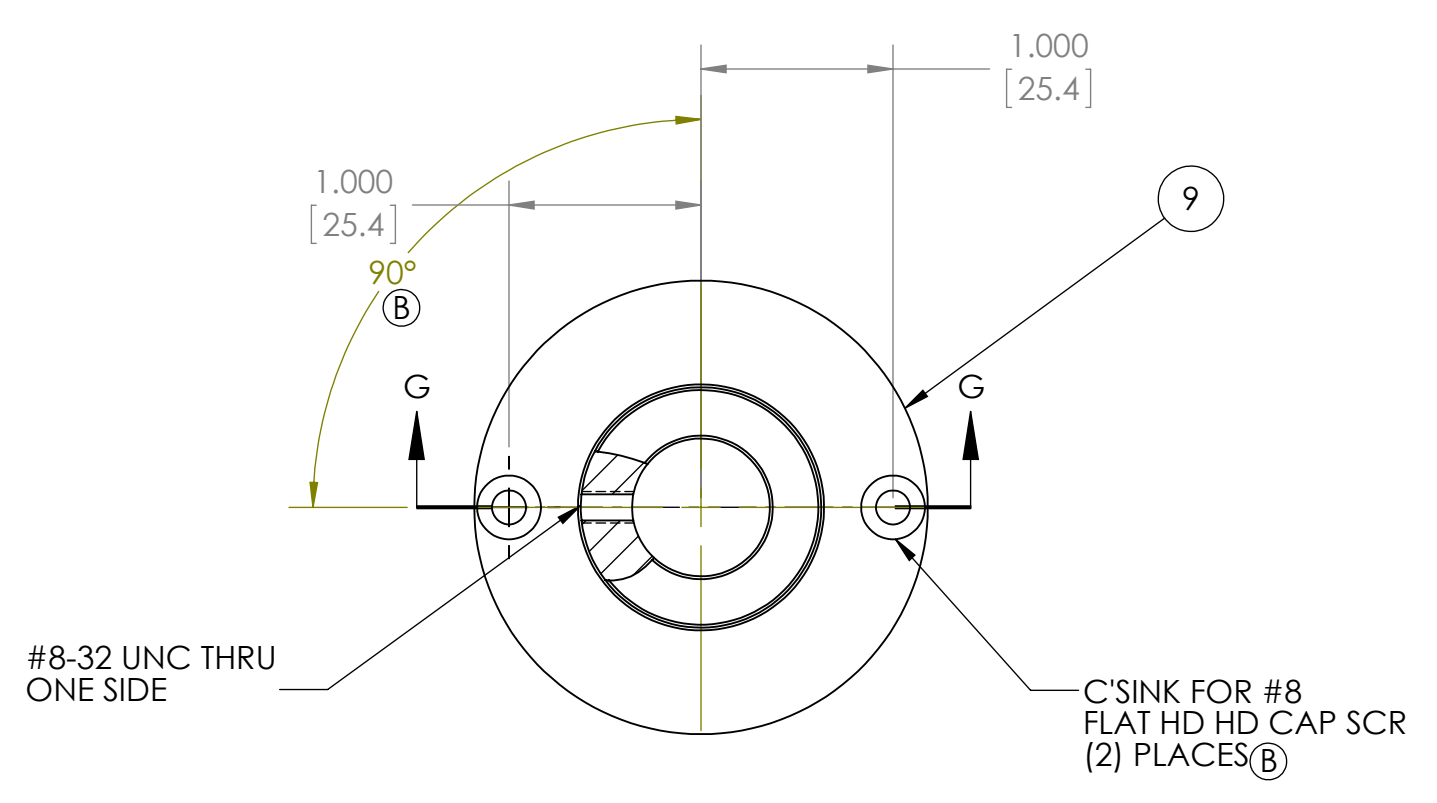


REVISIONS				
ZONE	REV.	DESCRIPTION	DATE	APPROVED
	A	DESIGN CHANGES, KW	8/18/2011	
	B	ROTATED SCREW LOCATION 90° AND CHANGED C'BORED HOLES TO C'SINK, FOR FLAT HD SCR, KW	8/22/2011	
	C	DRAWING NO. WAS MP-LED-150-2 XXX, REVISED VIEWS, KW	11/1/2011	



MP-LED-150-SS1  
COLLAR CLAMP  
MATERIAL: ALUM.  
SCHOTT

MP-LED-150-SS2  
COLLAR CLAMP  
VOLPI

MP-LED-150-SS3  
COLLAR CLAMP  
DOLAN JENNER

MP-LED-150-SS4  
COLLAR CLAMP  
EDMUNDS SCIENTIFIC



945 East 11<sup>th</sup> Avenue Tampa, FL 33605  
Phone: (813) 984-0125  
Contact: Sales@pyramidimaging.com  
<https://pyramidimaging.com>

PROPRIETARY AND CONFIDENTIAL  
THE INFORMATION CONTAINED IN THIS DRAWING IS THE SOLE PROPERTY OF PYRAMID IMAGING, INC. ANY REPRODUCTION IN PART OR AS A WHOLE WITHOUT THE WRITTEN PERMISSION OF PYRAMID IMAGING, INC. IS PROHIBITED.

UNLESS OTHERWISE SPECIFIED: DIMENSIONS ARE IN INCHES TOLERANCES: FRACTIONAL ± ANGULAR: MACH ± BEND ± TWO PLACE DECIMAL ± THREE PLACE DECIMAL ±	DRAWN CHECKED ENG APPR. MFG APPR. G.A. COMMENTS:	NAME KW	DATE 6-16-11	METAPHASE TECHNOLOGIES, INC.
MATERIAL ALUMINUM	FINISH ANODIZE, CLEAR	APPLICATION	NEXT ASSY USED ON	TITLE: NOSE PIECE, SS1, SCHLOTS (NOSE PIECES)
SCALE: 1:1	WEIGHT:	SHEET 1 OF 1	REV C	SIZE DWG. NO. D MP-LED-150-XXX

D MP-LED-150-XXX