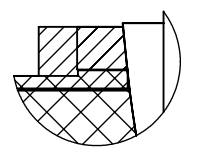


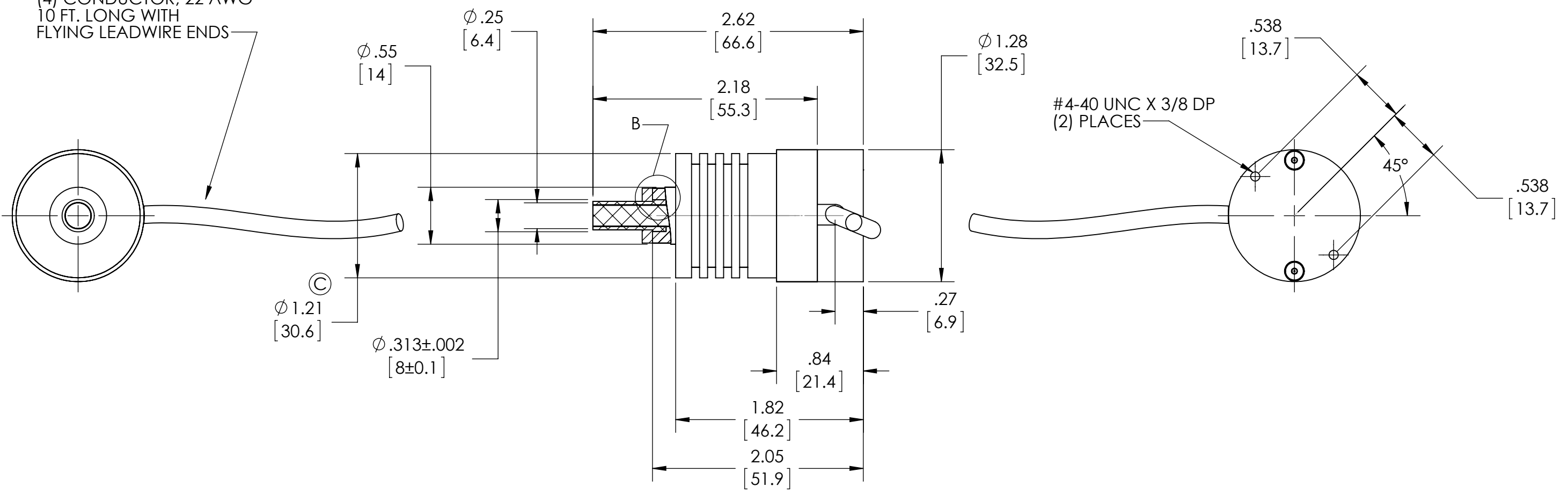
8 7 6 5 4 3 2 1

REVISIONS				
ZONE	REV.	DESCRIPTION	DATE	APPROVED
	A	2.62 was 2.52, kw	9/27/2011	
	B	ADDED SHEET #2, INSERT EXTENSION DETAIL, REPOSITIONED LIGHTPIPE KW	10/20/2011	
	C	ADDED DIMENSION, KW	8/2/2012	



DETAIL B
SCALE 2 : 1

ELECTRICAL CABLE
(4) CONDUCTOR, 22 AWG
10 FT. LONG WITH
FLYING LEADWIRE ENDS



945 East 11th Avenue Tampa, FL 33605
Phone: (813) 984-0125
Contact: Sales@pyramidimaging.com
<https://pyramidimaging.com>

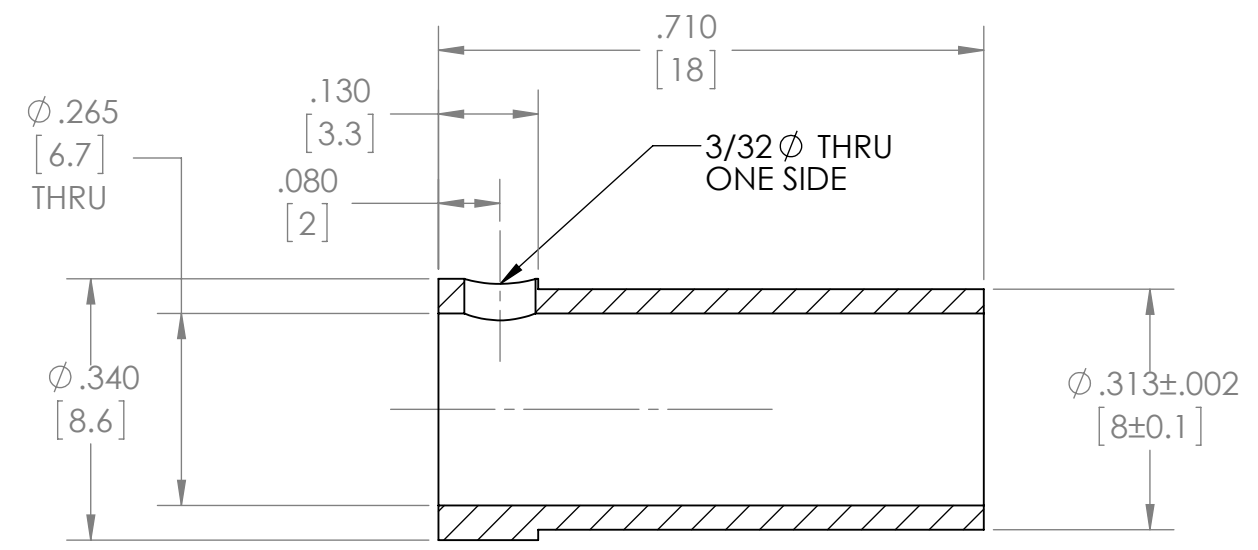
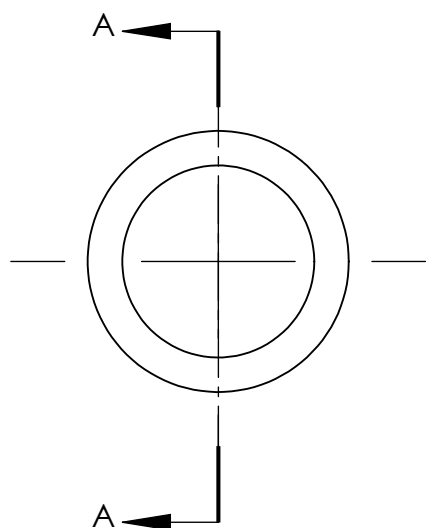
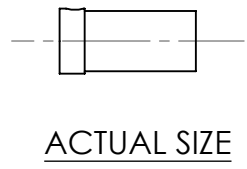
PROPRIETARY AND CONFIDENTIAL
THE INFORMATION CONTAINED IN THIS DRAWING IS THE SOLE PROPERTY OF <INSERT COMPANY NAME HERE>. ANY REPRODUCTION IN PART OR AS A WHOLE WITHOUT THE WRITTEN PERMISSION OF <INSERT COMPANY NAME HERE> IS PROHIBITED.

UNLESS OTHERWISE SPECIFIED:		NAME	DATE	METAPHASE TECHNOLOGIES, INC.			
DIMENSIONS ARE IN INCHES		DRAWN	KW	9/27/2011	TITLE: LIGHT ENGINE		
TOLERANCES:		CHECKED					
FRACTIONAL ±		ENG APPR.					
ANGULAR: MACH ± BEND ±		MFG APPR.					
TWO PLACE DECIMAL ±		Q.A.			SIZE	DWG. NO.	REV
THREE PLACE DECIMAL ±		COMMENTS:			B	LE110	C
INTERPRET GEOMETRIC TOLERANCING PER:					SCALE: 1:1	WEIGHT:	SHEET 1 OF 2
MATERIAL							
FINISH							
NEXT ASSY	USED ON						
APPLICATION		DO NOT SCALE DRAWING					

8 7 6 5 4 3 2 1 R:\Metaphase Technologies\K. Whittaker\LIGHT ENGINES\LE110\

8 7 6 5 4 3 2 1

REVISIONS				
ZONE	REV.	DESCRIPTION	DATE	APPROVED
-	-	See Sheet1	-	-



D
C
B
A

D
C
B
A



Pyramid Imaging
 4951 Adamo Dr. Suite 224 Tampa, FL 33605-5919
 Phone: 813.984.0125 Fax: 866.874.9521
www.pyramidimaging.com

PROPRIETARY AND CONFIDENTIAL
 THE INFORMATION CONTAINED IN THIS DRAWING IS THE SOLE PROPERTY OF <INSERT COMPANY NAME HERE>. ANY REPRODUCTION IN PART OR AS A WHOLE WITHOUT THE WRITTEN PERMISSION OF <INSERT COMPANY NAME HERE> IS PROHIBITED.

		UNLESS OTHERWISE SPECIFIED:	NAME	DATE	METAPHASE TECHNOLOGIES, INC.	
		DIMENSIONS ARE IN INCHES	DRAWN	KW		9/27/2011
		TOLERANCES:	CHECKED			
		FRACTIONAL \pm	ENG APPR.			
		ANGULAR: MACH \pm BEND \pm	MFG APPR.			
		TWO PLACE DECIMAL \pm	Q.A.			
		THREE PLACE DECIMAL \pm	COMMENTS:			
		INTERPRET GEOMETRIC TOLERANCING PER:				
		MATERIAL				
NEXT ASSY	USED ON	FINISH				
APPLICATION		DO NOT SCALE DRAWING				
SIZE	DWG. NO.	REV	TITLE:			
B	LE110	C	EXTENSION, INSERT			
SCALE: 4:1	WEIGHT:	SHEET 2 OF 2				

8 7 6 5 4 3 2 1