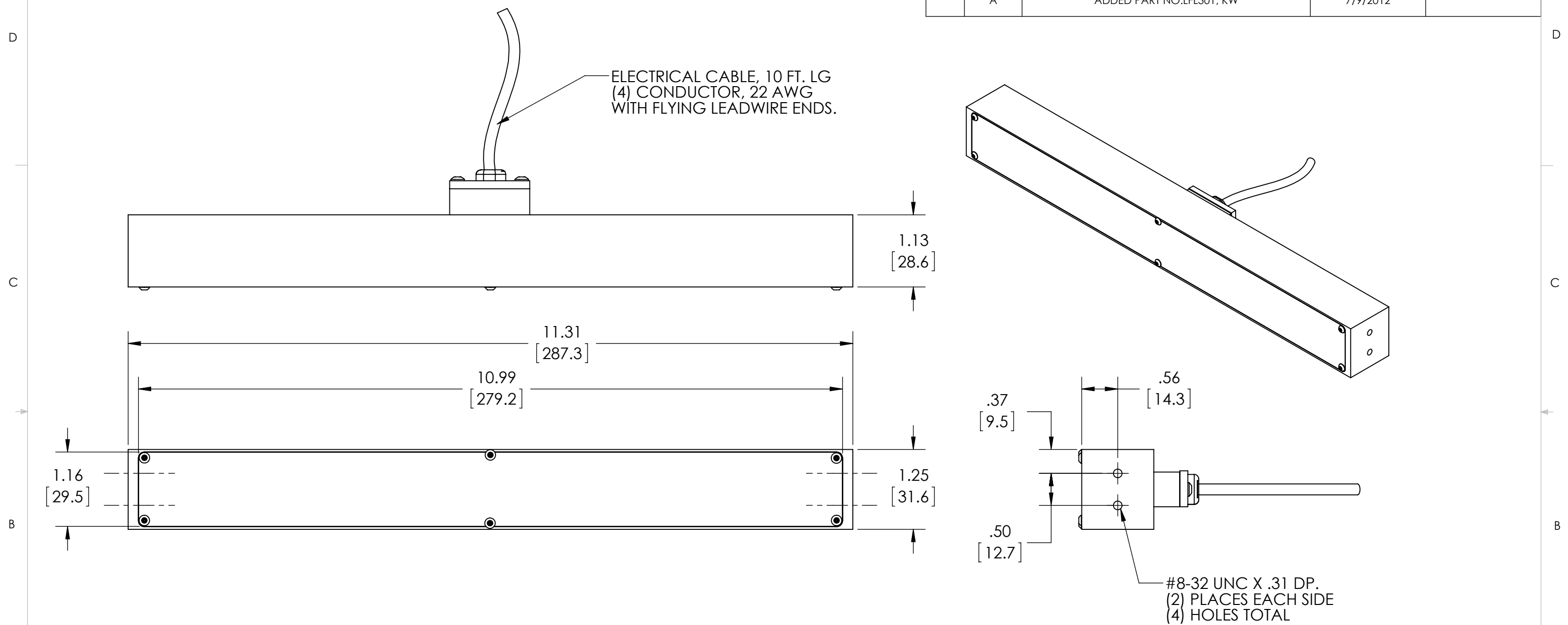


REVISIONS				
ZONE	REV.	DESCRIPTION	DATE	APPROVED
	A	ADDED PART NO.LFL301, KW	7/9/2012	



NOTES: UNLESS OTHERWISE SPECIFIED.



945 East 11th Avenue Tampa, FL 33605
 Phone: (813) 984-0125
 Contact: Sales@pyramidimaging.com
<https://pyramidimaging.com>

PROPRIETARY AND CONFIDENTIAL
 THE INFORMATION CONTAINED IN THIS DRAWING IS THE SOLE PROPERTY OF <INSERT COMPANY NAME HERE>. ANY REPRODUCTION IN PART OR AS A WHOLE WITHOUT THE WRITTEN PERMISSION OF <INSERT COMPANY NAME HERE> IS PROHIBITED.

UNLESS OTHERWISE SPECIFIED:		NAME	DATE	METAPHASE TECHNOLOGIES, INC.	
DIMENSIONS ARE IN INCHES		DRAWN	KW	2/23/2011	TITLE: FRONT LIGHT, LINEAR, 1 X 10 INCH
TOLERANCES:		CHECKED			
FRACTIONAL ±		ENG APPR.			
ANGULAR: MACH ± BEND ±		MFG APPR.			
TWO PLACE DECIMAL ±		Q.A.			SIZE DWG. NO. REV B LFL305 A
THREE PLACE DECIMAL ±		COMMENTS:			
INTERPRET GEOMETRIC TOLERANCING PER:		PART NO. (A)		SCALE: NTS WEIGHT: SHEET 1 OF 1	
MATERIAL		LFL301			
FINISH					
NEXT ASSY	USED ON				
APPLICATION		DO NOT SCALE DRAWING			