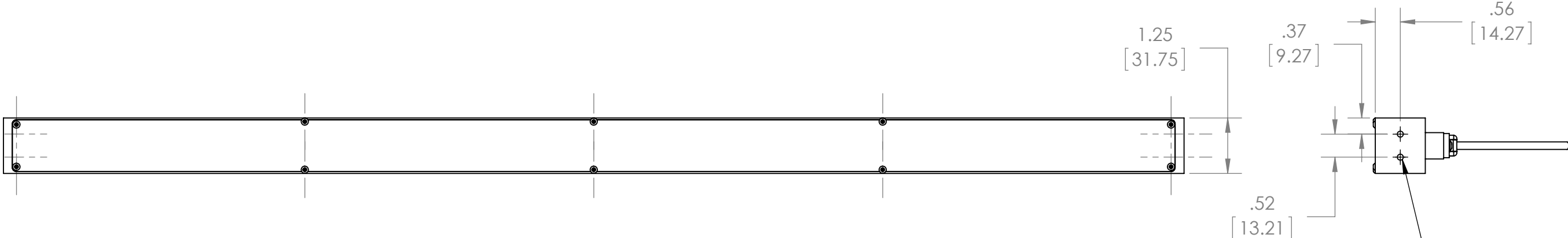
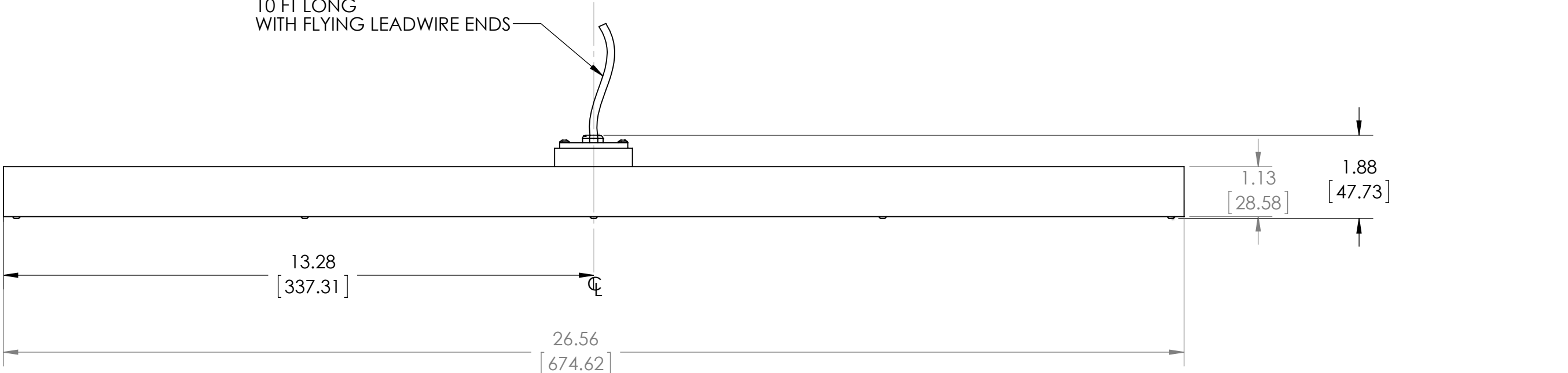


8 7 6 5 4 3 2 1

REVISIONS				
ZONE	REV.	DESCRIPTION	DATE	APPROVED
	B	REVISED AND REDRAWN, KW	8/16/2011	

(4) CONDUCTOR
ELECTRICAL CABLE, 22 AWG
10 FT LONG
WITH FLYING LEADWIRE ENDS



#8-32 UNC X 5/16 DP
BOTTOM TAP
(2) PLACES
BOTH SIDES
(4) HOLES TOTAL



945 East 11th Avenue Tampa, FL 33605
Phone: (813) 984-0125
Contact: Sales@pyramidimaging.com
<https://pyramidimaging.com>

PROPRIETARY AND CONFIDENTIAL
THE INFORMATION CONTAINED IN THIS DRAWING IS THE SOLE PROPERTY OF <INSERT COMPANY NAME HERE>. ANY REPRODUCTION IN PART OR AS A WHOLE WITHOUT THE WRITTEN PERMISSION OF <INSERT COMPANY NAME HERE> IS PROHIBITED.

UNLESS OTHERWISE SPECIFIED:		NAME	DATE	METAPHASE TECHNOLOGIES, INC.	
DIMENSIONS ARE IN INCHES		DRAWN	KW	8-16-11	
TOLERANCES:		CHECKED		TITLE:	
FRACTIONAL ±		ENG APPR.		FRONT LIGHT, LINEAR, 1 X 25 INCH	
ANGULAR: MACH ± BEND ±		MFG APPR.		SIZE DWG. NO. REV	
TWO PLACE DECIMAL ±		Q.A.		B LFL601 B	
THREE PLACE DECIMAL ±		COMMENTS:		SCALE: NTS WEIGHT: SHEET 1 OF 1	
INTERPRET GEOMETRIC TOLERANCING PER:					
MATERIAL					
FINISH					
NEXT ASSY	USED ON				
APPLICATION				DO NOT SCALE DRAWING	

8 7 6 5 4 3 2 1