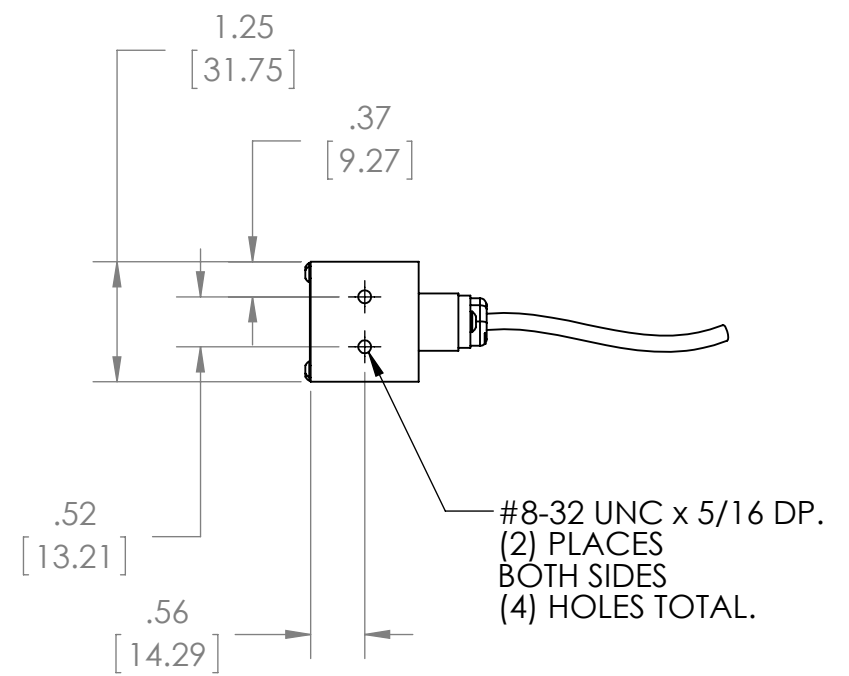
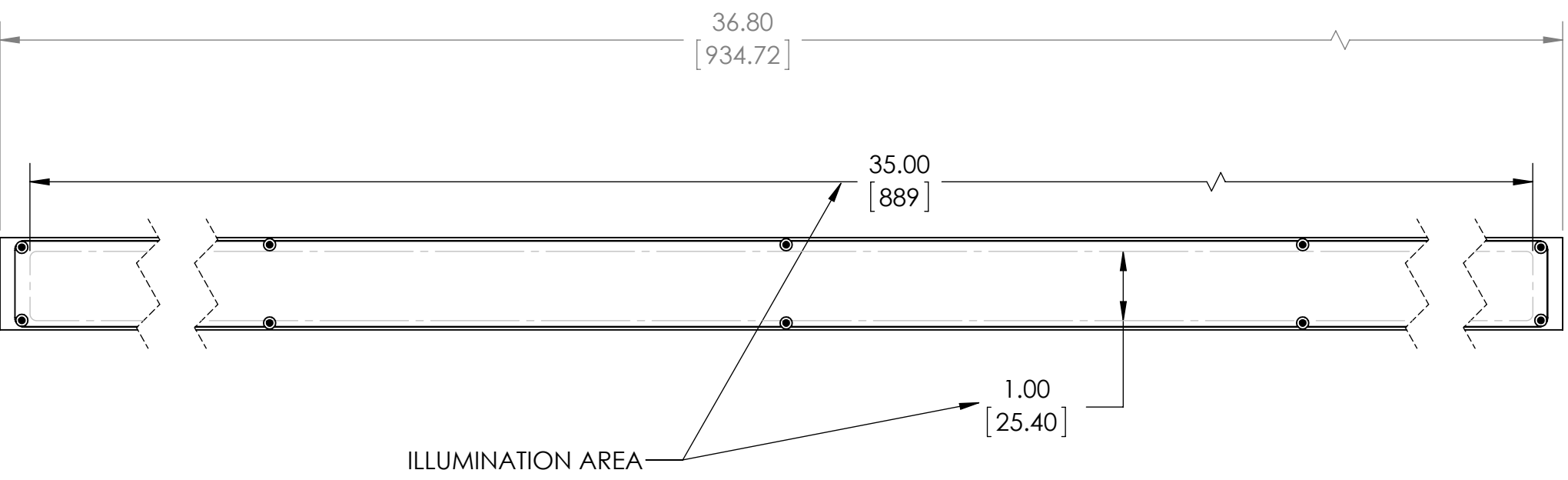
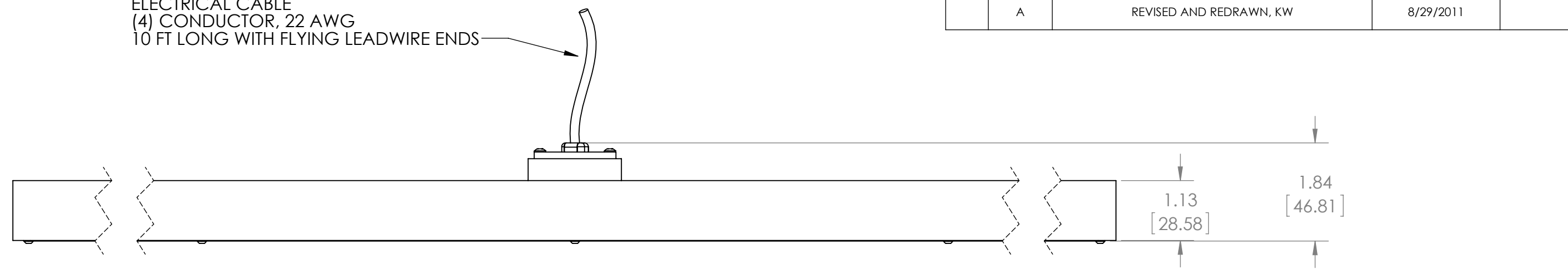


8 7 6 5 4 3 2 1

REVISIONS				
ZONE	REV.	DESCRIPTION	DATE	APPROVED
	A	REVISED AND REDRAWN, KW	8/29/2011	

ELECTRICAL CABLE
(4) CONDUCTOR, 22 AWG
10 FT LONG WITH FLYING LEADWIRE ENDS



#8-32 UNC x 5/16 DP.
(2) PLACES
BOTH SIDES
(4) HOLES TOTAL.

ILLUMINATION AREA



945 East 11th Avenue Tampa, FL 33605
Phone: (813) 984-0125
Contact: Sales@pyramidimaging.com
<https://pyramidimaging.com>

PROPRIETARY AND CONFIDENTIAL
THE INFORMATION CONTAINED IN THIS DRAWING IS THE SOLE PROPERTY OF <INSERT COMPANY NAME HERE>. ANY REPRODUCTION IN PART OR AS A WHOLE WITHOUT THE WRITTEN PERMISSION OF <INSERT COMPANY NAME HERE> IS PROHIBITED.

		UNLESS OTHERWISE SPECIFIED:		NAME	DATE	METAPHASE TECHNOLOGIES, INC.	
		DIMENSIONS ARE IN INCHES		DRAWN	KW	8-29-11	
		TOLERANCES:		CHECKED		TITLE:	
		FRACTIONAL ±		ENG APPR.		FRONT LIGHT, LINEAR, 1 X 35	
		ANGULAR: MACH ± BEND ±		MFG APPR.		SIZE	
		TWO PLACE DECIMAL ±		Q.A.		DWG. NO.	
		THREE PLACE DECIMAL ±		COMMENTS:		LFL801	
		INTERPRET GEOMETRIC TOLERANCING PER:				REV	
		MATERIAL				A	
		FINISH				SCALE: 1:2	
NEXT ASSY	USED ON	DO NOT SCALE DRAWING				WEIGHT:	
APPLICATION						SHEET 1 OF 1	

8 7 6 5 4 3 2 1