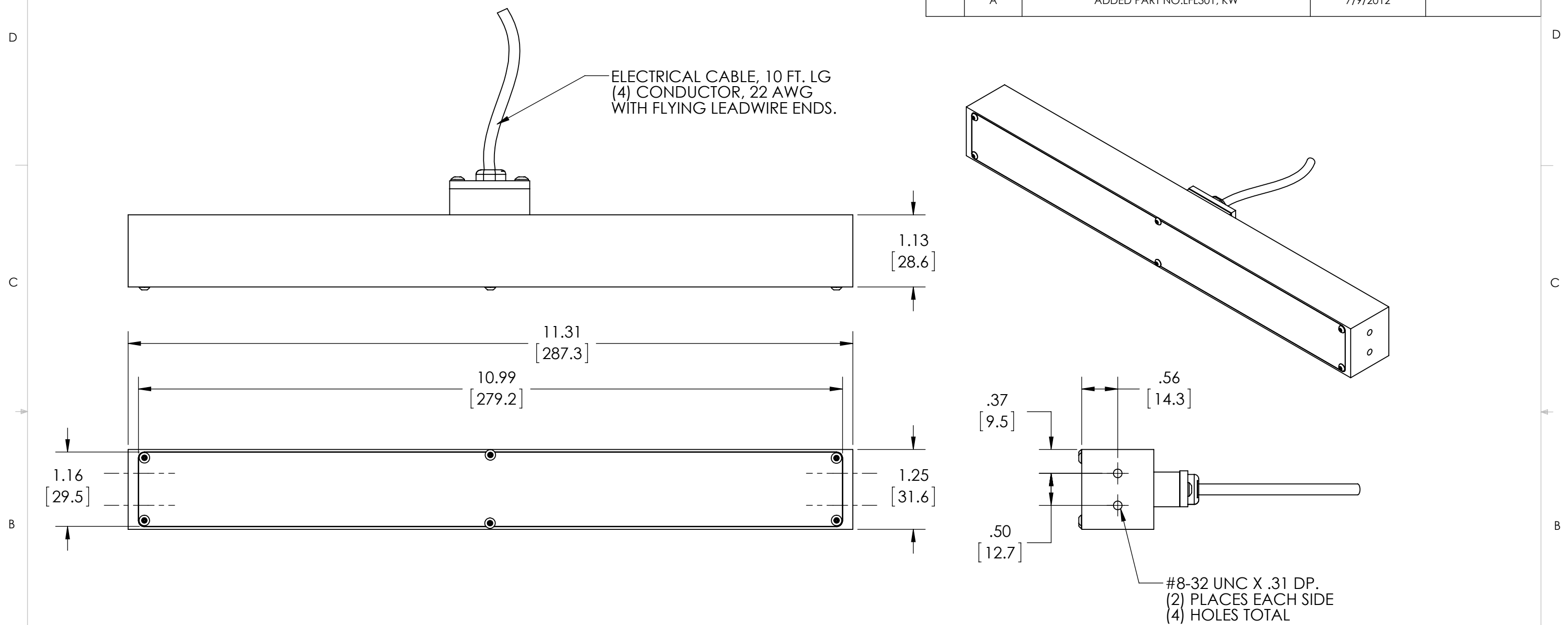


REVISIONS				
ZONE	REV.	DESCRIPTION	DATE	APPROVED
	A	ADDED PART NO.LFL301, KW	7/9/2012	



NOTES: UNLESS OTHERWISE SPECIFIED.



945 East 11<sup>th</sup> Avenue Tampa, FL 33605  
Phone: (813) 984-0125  
Contact: Sales@pyramidimaging.com  
<https://pyramidimaging.com>

**PROPRIETARY AND CONFIDENTIAL**  
THE INFORMATION CONTAINED IN THIS DRAWING IS THE SOLE PROPERTY OF <INSERT COMPANY NAME HERE>. ANY REPRODUCTION IN PART OR AS A WHOLE WITHOUT THE WRITTEN PERMISSION OF <INSERT COMPANY NAME HERE> IS PROHIBITED.

		UNLESS OTHERWISE SPECIFIED:	NAME	DATE	METAPHASE TECHNOLOGIES, INC.	
		DIMENSIONS ARE IN INCHES	DRAWN	KW	2/23/2011	TITLE: FRONT LIGHT, LINEAR, 1 X 10 INCH
		TOLERANCES:	CHECKED			
		FRACTIONAL ±	ENG APPR.			
		ANGULAR: MACH ± BEND ±	MFG APPR.			
		TWO PLACE DECIMAL ±	Q.A.			SIZE DWG. NO. REV <b>B</b> <b>LFL305</b> <b>A</b>
		THREE PLACE DECIMAL ±	COMMENTS:			
		INTERPRET GEOMETRIC TOLERANCING PER:	PART NO. (A)		SCALE: NTS WEIGHT: SHEET 1 OF 1	
		MATERIAL	<b>LFL301</b>			
NEXT ASSY	USED ON	FINISH				
APPLICATION		DO NOT SCALE DRAWING				