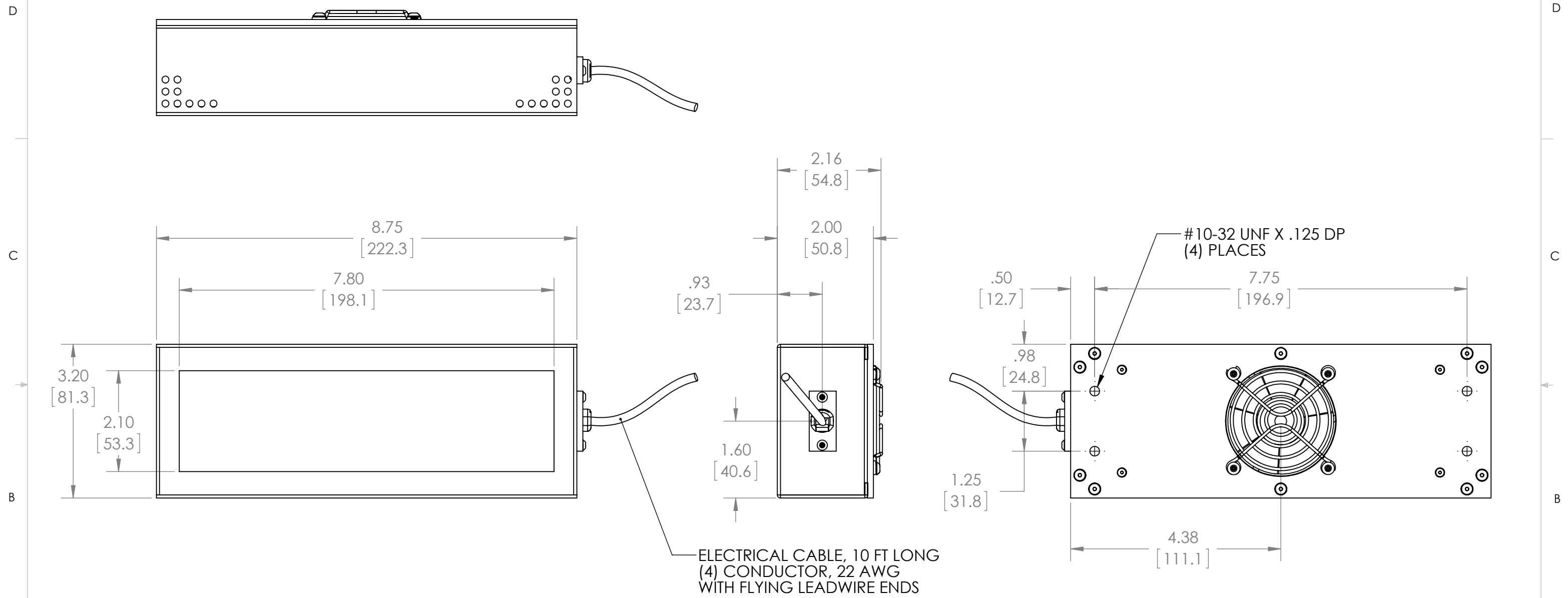


8 7 6 5 4 3 2 1

REVISIONS				
ZONE	REV.	DESCRIPTION	DATE	APPROVED



945 East 11<sup>th</sup> Avenue Tampa, FL 33605  
 Phone: (813) 984-0125  
 Contact: Sales@pyramidimaging.com  
<https://pyramidimaging.com>

**PROPRIETARY AND CONFIDENTIAL**  
 THE INFORMATION CONTAINED IN THIS DRAWING IS THE SOLE PROPERTY OF <INSERT COMPANY NAME HERE>. ANY REPRODUCTION IN PART OR AS A WHOLE WITHOUT THE WRITTEN PERMISSION OF <INSERT COMPANY NAME HERE> IS PROHIBITED.

UNLESS OTHERWISE SPECIFIED:		NAME	DATE	METAPHASE TECHNOLOGIES, INC.	
DIMENSIONS ARE IN INCHES		DRAWN	KW		4/20/2012
TOLERANCES:		CHECKED			TITLE:
FRACTIONAL ± 1/64		ENG APPR.			FRONT LIGHT, LINEAR, 2 X 8 INCH
ANGULAR: MACH ± 1/2° BEND ± 2°		MFG APPR.			
TWO PLACE DECIMAL ± .01		Q.A.			
THREE PLACE DECIMAL ± .005		COMMENTS:			
INTERPRET GEOMETRIC TOLERANCING PER:					
MATERIAL				SIZE DWG. NO. REV	
FINISH				<b>B</b> LFL2X8	
NEXT ASSY	USED ON			SCALE: 1:2 WEIGHT: SHEET 1 OF 1	
APPLICATION		DO NOT SCALE DRAWING			

8 7 6 5 4 3 2 1