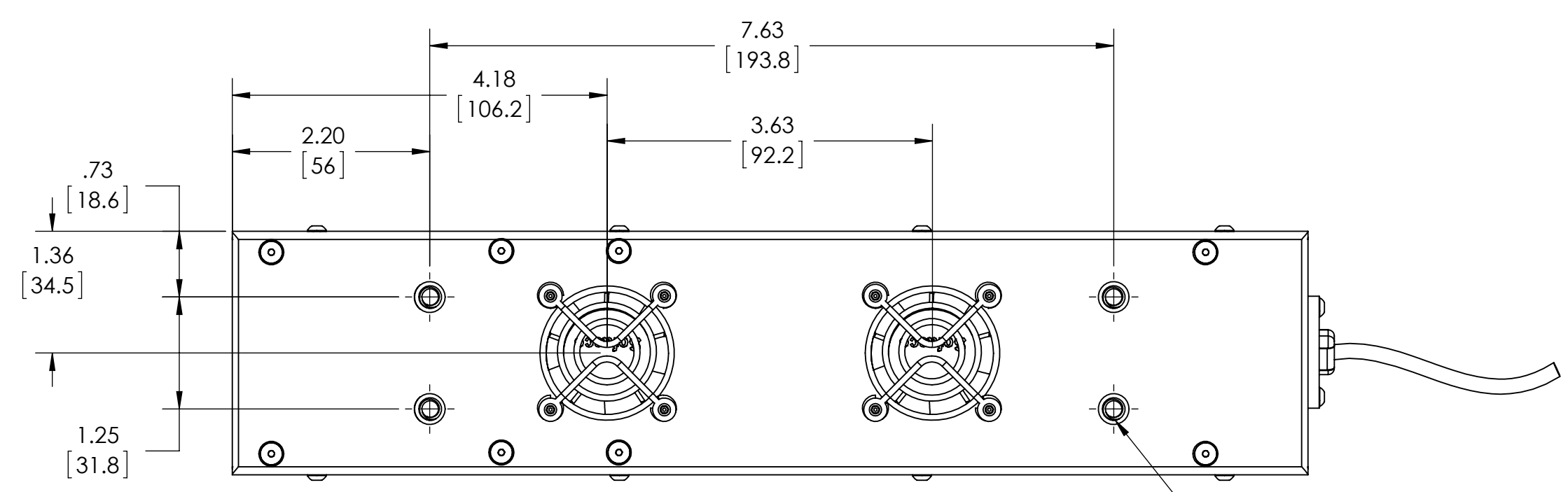
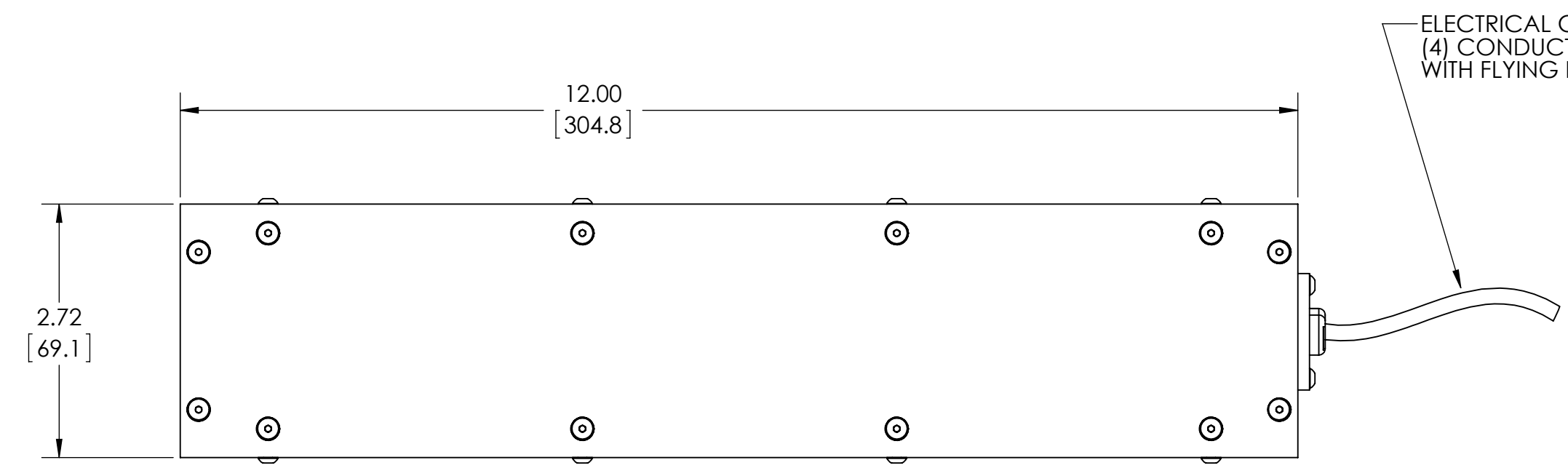
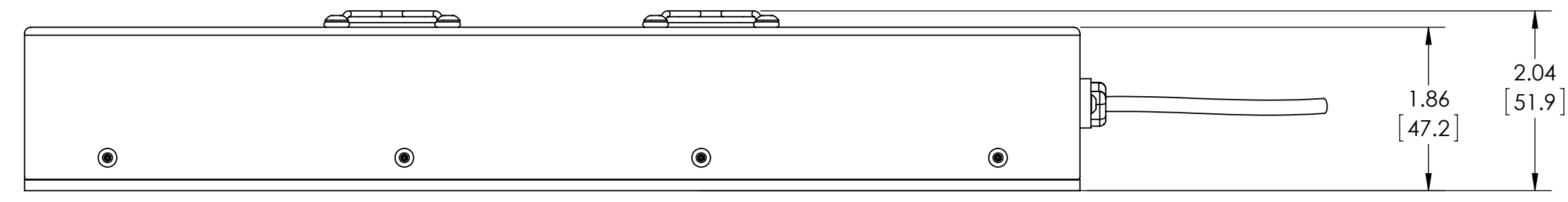


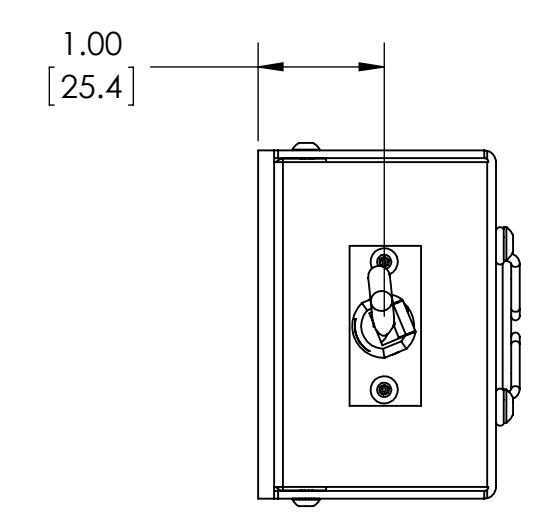
REVISIONS				
ZONE	REV.	DESCRIPTION	DATE	APPROVED



1/4-20 THREADED INSERT  
(4) PLACES



ELECTRICAL CABLE, 10 FT. LG  
(4) CONDUCTOR, 22 AWG  
WITH FLYING LEADWIRE ENDS



945 East 11<sup>th</sup> Avenue Tampa, FL 33605  
 Phone: (813) 984-0125  
 Contact: Sales@pyramidimaging.com  
<https://pyramidimaging.com>

**PROPRIETARY AND CONFIDENTIAL**  
 THE INFORMATION CONTAINED IN THIS DRAWING IS THE SOLE PROPERTY OF METAPHASE TECHNOLOGIES, INC. ANY REPRODUCTION IN PART OR AS A WHOLE WITHOUT THE WRITTEN PERMISSION OF METAPHASE TECHNOLOGIES, INC. IS PROHIBITED.

UNLESS OTHERWISE SPECIFIED:		NAME	DATE	METAPHASE TECHNOLOGIES, INC.
DIMENSIONS ARE IN INCHES		DRAWN	KW	4/23/2012
TOLERANCES:		CHECKED		TITLE:
FRACTIONAL ± 1/64		ENG APPR.		FRONT LIGHT, LINEAR, 2 X 11 INCH
ANGULAR: MACH ± .5° BEND ± 2°		MFG APPR.		
TWO PLACE DECIMAL ± .01		Q.A.		
THREE PLACE DECIMAL ± .005		COMMENTS:		
INTERPRET GEOMETRIC TOLERANCING PER: MATERIAL				
FINISH				
NEXT ASSY	USED ON			
APPLICATION	DO NOT SCALE DRAWING			
		SIZE	DWG. NO.	REV
		<b>C</b>	<b>LFL2X11</b>	
		SCALE: NTS		SHEET 1 OF 1