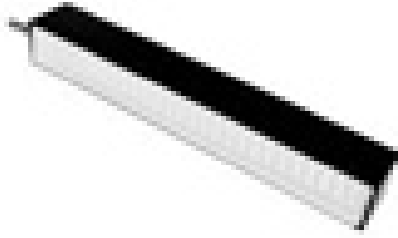


MetaBright™ Linear Front Light

Model#: MB-LFL405



- Shock and Vibration proof up to 10 G's per MIL-STD-910F the highest industry standards
- Solid one-piece machined aluminum housings and thermal potting
- Performance extends to rugged environments
- Can be configured for wavelength and other specifications
- Equipt with pairing and axial rotation capabilities

Part #	Color	Power Supply	Specifications:	
MB-LFL405-W-24	White 5500K	24 volt power supply available upon request.	Current Consumption	1.08A @ 24VDC
MB-LFL405-R-24	Red 630nm		Housing	Aluminum
MB-LFL405-B-24	Blue 455nm		Finish	Anodized
MB-LFL405-G-24	Green 530nm		Intensity Uniformity	+/-5%
MB-LFL405-IRN-24	Infrared 850nm		Operating Temperature	120° F Max
MB-LFL405-IRL-24	Infrared 880nm		Illuminance	120,000 Lux
MB-LFL405-UVL-24	UV 395nm		Compliance	CE/RoHS
MB-LFL405-UVS-24	UV 365nm		Lifetime Hours	75,000 Hours

10 ft. flying leads come standard on all products.
Light features built-in constant current driver.
No expensive controller required.

Active Area	Dimensions
1 in x 15 in 25.4mm x 381mm	16.3in x 1.125in x 1.25in 414mm x 28mm x 31.75mm

ORDERING INFORMATION:

• M B - L F L 4 0 5 - - 2 4 -

W	White 5500k	*BLANK	10 ft. Flying Leads
R	Red 630nm	T	M12 Quick Disconnect
G	Green 530nm	ILD	In Line Dimmer
B	Blue 455 nm	ILS	In Line Strobe (customer provide trigger info)
IRL	Infrared 880nm		
UVL	(long) 395nm		
UVS	(short) 365nm		

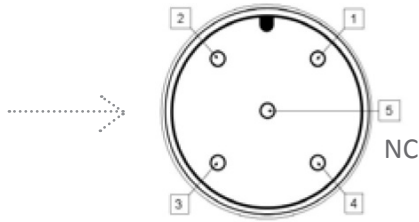
MetaBright™ Linear Front Light Model#: MB-LFL405

Wiring Diagram

Flying Leads	Function
RED	+24VDC
BLACK	Ground
WHITE	+24VDC
GREEN	Ground

M12 Connector

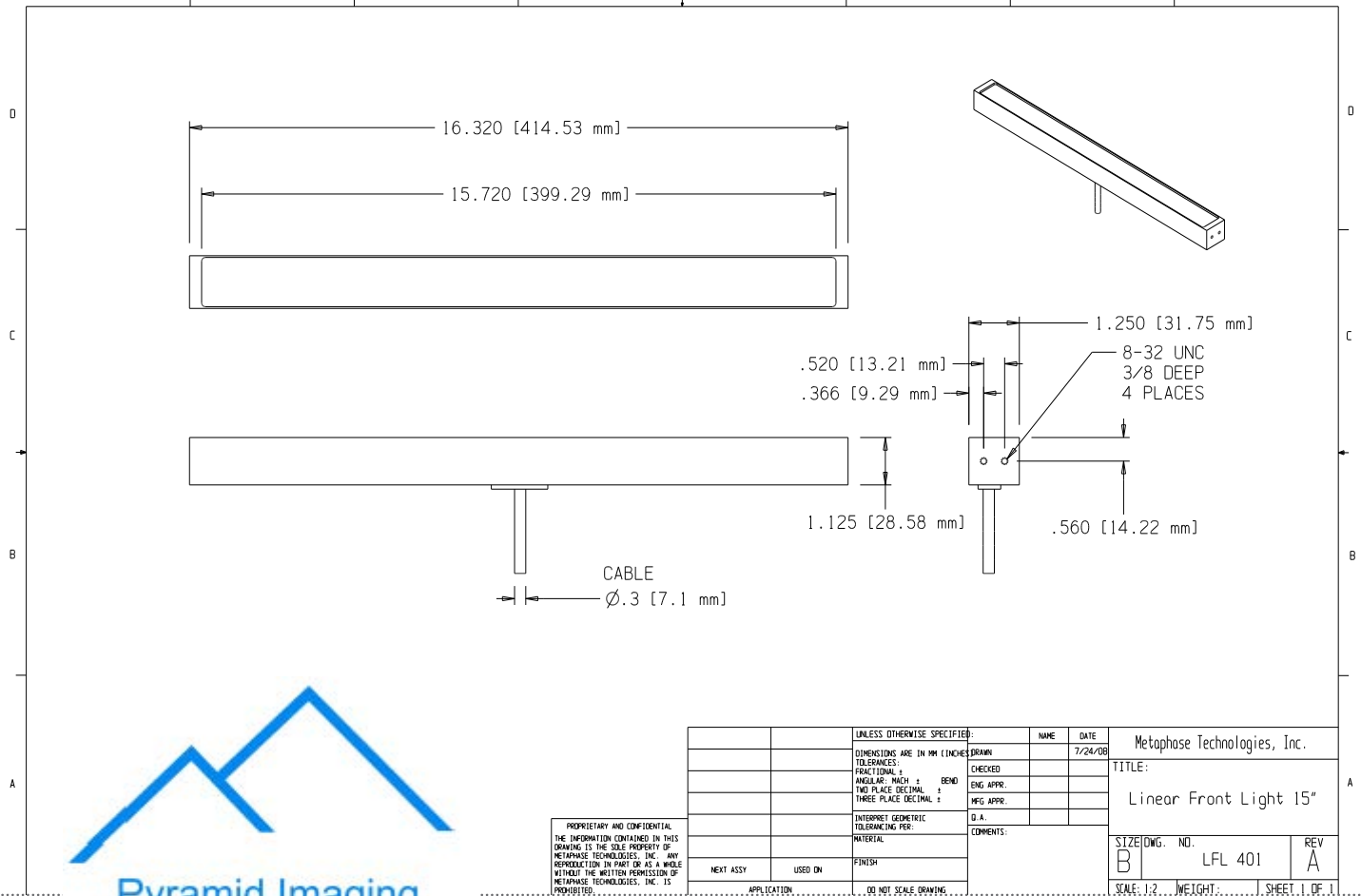
PIN #	Function
1	+24VDC
2	0-10VDC Intensity Control
3	Ground
4	Signal Ground



24 AWG 4 WIRES CABLE X 1

When not using intensity control, connect 0-10V control line to +24 (Max Intensity Control = 25V) and intensity control ground to ground

Drawing/Diagram



Pyramid Imaging

945 East 11th Avenue Tampa, FL 33605
 sales@pyramidimaging.com
 www.pyramidimaging.com
 813-786-3785

PROPRIETARY AND CONFIDENTIAL
 THE INFORMATION CONTAINED IN THIS DRAWING IS THE SOLE PROPERTY OF METAPHASE TECHNOLOGIES, INC. ANY REPRODUCTION IN PART OR AS A WHOLE WITHOUT THE WRITTEN PERMISSION OF METAPHASE TECHNOLOGIES, INC. IS PROHIBITED.

UNLESS OTHERWISE SPECIFIED:		NAME	DATE
DIMENSIONS ARE IN MM (INCHES DRAWN)			7/24/08
TOLERANCES:		CHECKED	
FRACTIONAL: ±		ENG. APPR.	
ANGULAR: MACH ±	BEND	MFG APPR.	
TWO PLACE DECIMAL ±		D.A.	
THREE PLACE DECIMAL ±		COMMENTS:	
MATERIAL:			
FINISH:			
APPLICATION:	DO NOT SCALE DRAWING		

Metaphase Technologies, Inc.			
TITLE: Linear Front Light 15"			
SIZE/DWG. NO.	REV		
B LFL 401	A		
SCALE: 1:2	WEIGHT:	SHEET 1 OF 1	