

MetaLight™ Linear Front Light

Model#: LFL401



- Shock and Vibration proof up to 10 G's per MIL-STD-910F the highest industry standards
- Solid one-piece machined aluminum housings and thermal potting
- Performance extends to rugged environments
- Can be configured for wavelength and other specifications
- Equipt with pairing and axial rotation capabilities

| Part # | Color | Power Supply | Specifications: | |
|---------------|----------------|--|-----------------------|--------------|
| LFL401-W-24 | White 5500K | 24 volt power supply available upon request. | Current Consumption | .45A @ 24VDC |
| LFL401-R-24 | Red 630nm | | Housing | Aluminum |
| LFL401-B-24 | Blue 455nm | | Finish | Anodized |
| LFL401-G-24 | Green 530nm | | Intensity Uniformity | +/-5% |
| LFL401-IRN-24 | Infrared 850nm | | Operating Temperature | 120° F Max |
| LFL401-IRL-24 | Infrared 880nm | | Illuminance | 75,000 Lux |
| LFL401-UVL-24 | UV 395nm | | Compliance | CE/RoHS |
| LFL401-UVS-24 | UV 365nm | | Lifetime Hours | 75,000 Hours |

10 ft. flying leads come standard on all products.
Light features built-in constant current driver.
No expensive controller required.

| Active Area | Dimensions |
|--------------------------------|---|
| 1 in x 15 in 25.4mm x 381mm | 16.3in x 1.125in x 1.25in 414mm x 28mm x 31.75mm |

ORDERING INFORMATION:

• L F L 4 0 1 - - 2 4 -

W White 5500k
R Red 630nm
G Green 530nm
B Blue 455 nm
IRL Infrared 880nm
UVL (long) 395nm
UVS (short) 365nm

***BLANK** 10 ft. Flying Leads
T M12 Quick Disconnect
ILD In Line Dimmer
ILS In Line Strobe (customer provide trigger info)

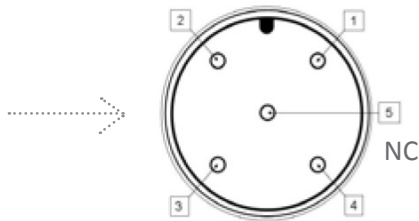
MetaLight™ Linear Front Light Model#: LFL401

Wiring Diagram

| Flying Leads | Function |
|--------------|----------|
| RED | +24VDC |
| BLACK | Ground |
| WHITE | +24VDC |
| GREEN | Ground |

M12 Connector

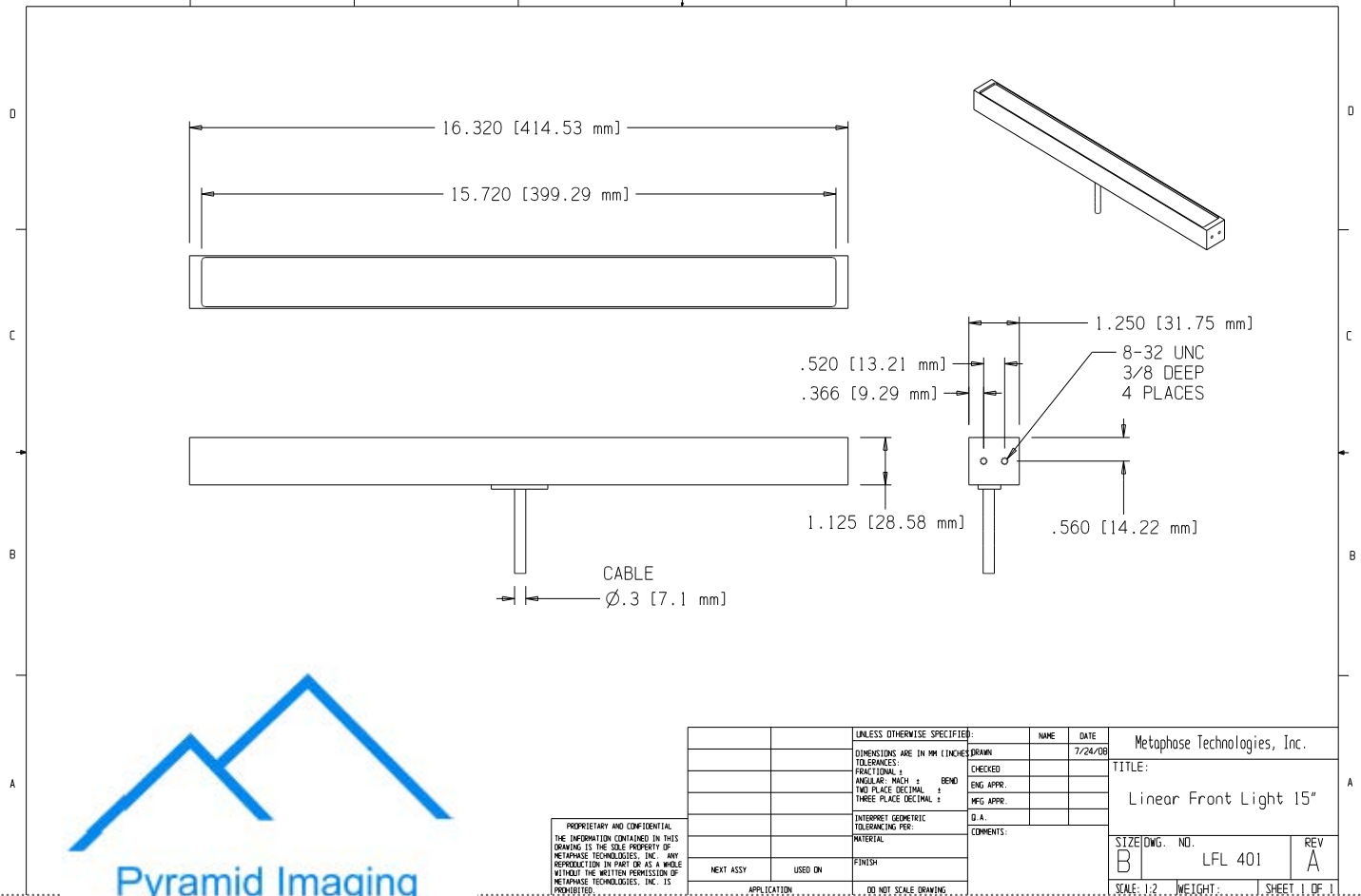
| PIN # | Function |
|-------|---------------------------|
| 1 | +24VDC |
| 2 | 0-10VDC Intensity Control |
| 3 | Ground |
| 4 | Signal Ground |



24 AWG 4 WIRES CABLE X 1

When not using intensity control, connect 0-10V control line to +24 (Max Intensity Control = 25V) and intensity control ground to ground

Drawing/Diagram



945 East 11th Avenue Tampa, FL 33605
sales@pyramidimaging.com
www.pyramidimaging.com
813-786-3785

| UNLESS OTHERWISE SPECIFIED: | | NAME | DATE |
|--------------------------------------|---------------------|----------------------|---------|
| DIMENSIONS ARE IN MM (INCHES DRAWN) | | | 7/24/08 |
| TOLERANCES: | | CHECKED | |
| FRACTIONAL: ± | BEND | ENG APPR. | |
| ANGULAR: MACH ± | TWO PLACE DECIMAL ± | MFG APPR. | |
| THREE PLACE DECIMAL ± | | D.A. | |
| INTERPRET GEOMETRIC TOLERANCING PER: | | COMMENTS: | |
| MATERIAL: | | | |
| FINISH: | | | |
| NEXT ASSY | USED ON | | |
| APPLICATION | | DO NOT SCALE DRAWING | |

| | | | |
|----------------------------------|---------|--------------|--|
| Metaphase Technologies, Inc. | | | |
| TITLE: Linear Front Light 15" | | | |
| SIZE/DWG. NO. | REV | | |
| B | LFL 401 | A | |
| SCALE: 1:2 | WEIGHT: | SHEET 1 OF 1 | |