

MetaBright™ Adjustable Focus  
Mini-Spot Light  
Model#: MB-AFSL105



- ENVIRONMENTALLY FRIENDLY
- ECONOMICAL
- THERMAL MANAGEMENT TECHNOLOGY
- CAST ROUND SPOT AT NICKEL DIAMETER
- FOCUSABLE 4" TO 7" AWAY
- TIGHT BEAM
- BUILT IN 24V DRIVER
- 3 LENS RELAY WITH COATED OPTICS

Active Area	Dimensions
$\varnothing$ 0.97in $\varnothing$ 9.32mm	L: 2.42in / 61mm W/H: $\varnothing$ 2.28 / 32.44mm

Specifications:

Current Consumption	0.5A @ 24VDC
Finish	Black Anodized
Color Temperature	6600K
Weight	0.5lbs / 226g
Operating Temperature	-30°C - +60°C
Illuminance	18,000 Lux
Compliance	CE/RoHS/IP67/NEMA 4x
Lifetime Hours	75,000 Hours

Contact Us:

Contact your Metaphase Technologies Representative for options including: Filter Options, Power Options, & Wavelength.



945 East 11<sup>th</sup> Avenue Tampa, FL 33605

Phone: (813) 984-0125

Contact: Sales@pyramidimaging.com

<https://pyramidimaging.com>

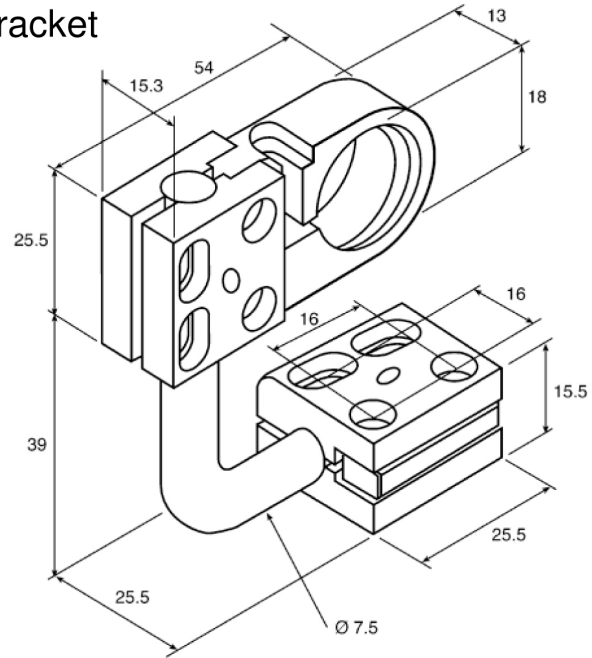
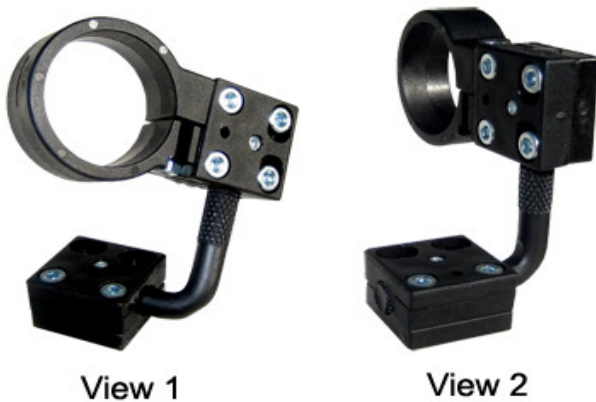
ORDERING INFORMATION:

• MB - A F S L 1 0 5 -	<input type="checkbox"/>	- 2 4 -
<b>W</b>		White 6000k
<b>R</b>		Red 630nm
<b>B</b>		Blue 455nm
<b>G</b>		Green 530nm
<b>IR</b>		Infrared 850nm
<b>UVL</b>		UV Long 395nm
<b>UVS</b>		UV Short 365nm

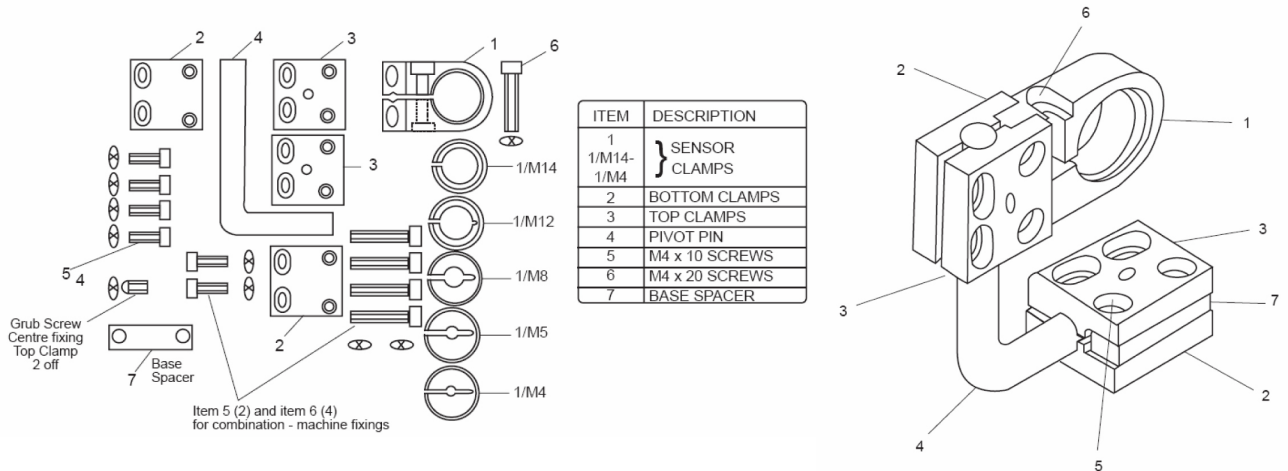
MetaBright™ Adjustable Focus  
Mini-Spot Light  
Model#: MB-AFSL105

MetaBright™ Sensor Bracket

Accessory Data Sheet



**PART#: MBSB-30:** For MBAFSL & LED Engine - 30mm Diameter Clamping Ring



Materials specification:

All Plastic parts: Nylon 66  
All bolts and nuts: Zinc plates mild steel  
'L' shaped pin: Zinc plated mild steel

# MetaBright™ Adjustable Focus Mini Spot-Light

Model#: MB-AFSL105

## 24VDC Operation

Flying Leads	Function
RED	+24VDC
BLACK	Ground
WHITE	+24VDC
GREEN	Ground

## 0-10V Dimming Control Only

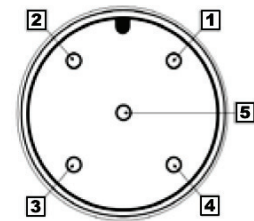
Flying Leads	Function
RED	+24VDC
BLACK	Ground
WHITE	0~10V
GREEN	Signal Ground

## M12 Connector

PIN #	Function
1	+24VDC
2	0-10VDC Intensity Control
3	Ground
4	Signal Ground



945 East 11<sup>th</sup> Avenue Tampa, FL 33605  
 Phone: (813) 984-0125  
 Contact: Sales@pyramidimaging.com  
<https://pyramidimaging.com>



## Drawing/Diagram

REVISIONS				
ZONE	REV.	DESCRIPTION	DATE	APPROVED
	A	REVISED AND REDRAWN, KW	2/11/2011	
	B	REVISED DRAWING, KW	5/17/2012	

#4-40 UNC X .3 DP.  
 (2) PLACES  
 ON A 1.09 Ø B.C.

2.42  
 [61.39]

Ø 1.28  
 [32.44]

30°

SEE NOTE #2.

ADJUSTMENT SCREW #2-56

Ø .63  
 [15.88]

Ø .37  
 [9.32]

LENS APERTURE

**NOTES: UNLESS OTHERWISE SPECIFIED**  
 1. FINISH: BLACK ANODIZED HOUSING.  
 2. 10 FT CABLE PROVIDED.  
 3. OPTIONAL HOLDING BRACKET- AB3-30.

**PROPRIETARY AND CONFIDENTIAL**  
 THE INFORMATION CONTAINED IN THIS DRAWING IS THE SOLE PROPERTY OF METAPHASE TECHNOLOGIES, INC. ANY REPRODUCTION IN PART OR AS A WHOLE WITHOUT THE WRITTEN PERMISSION OF METAPHASE TECHNOLOGIES, INC. IS PROHIBITED.

UNLESS OTHERWISE SPECIFIED:	NAME	DATE	METAPHASE TECHNOLOGIES, INC. TITLE: SPOTLIGHT ADJUSTABLE FOCUS SIZE DWG. NO. <b>B</b> AFSL105 <sup>(A)</sup> REV <b>B</b> SCALE: 1:4 WEIGHT: SHEET 1 OF 1
DIMENSIONS ARE IN INCHES	DRAWN	KW	
TOLERANCES:	CHECKED		
FRACTIONAL ±	ENG. APPR.		
ANGULAR: MINUS ±	MFG. APPR.		
TWO PLACE DECIMAL ±			
THREE PLACE DECIMAL ±			
INTERFERE GEOMETRIC TOLERANCING PER:			
MATERIAL			
APPLICATION			
DO NOT SCALE DRAWING			