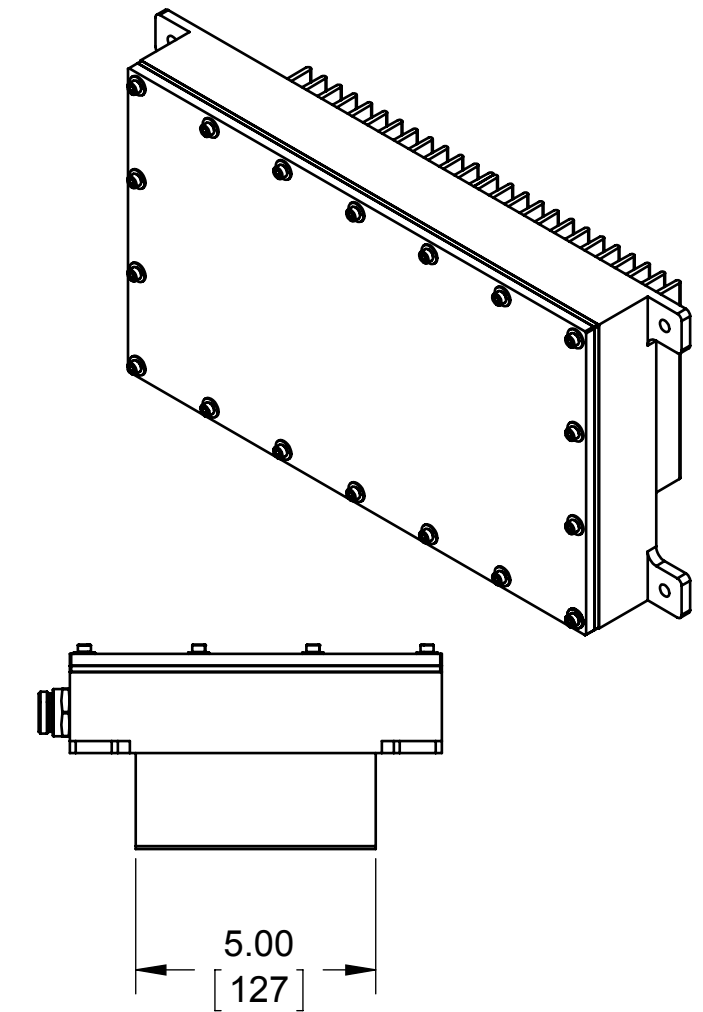
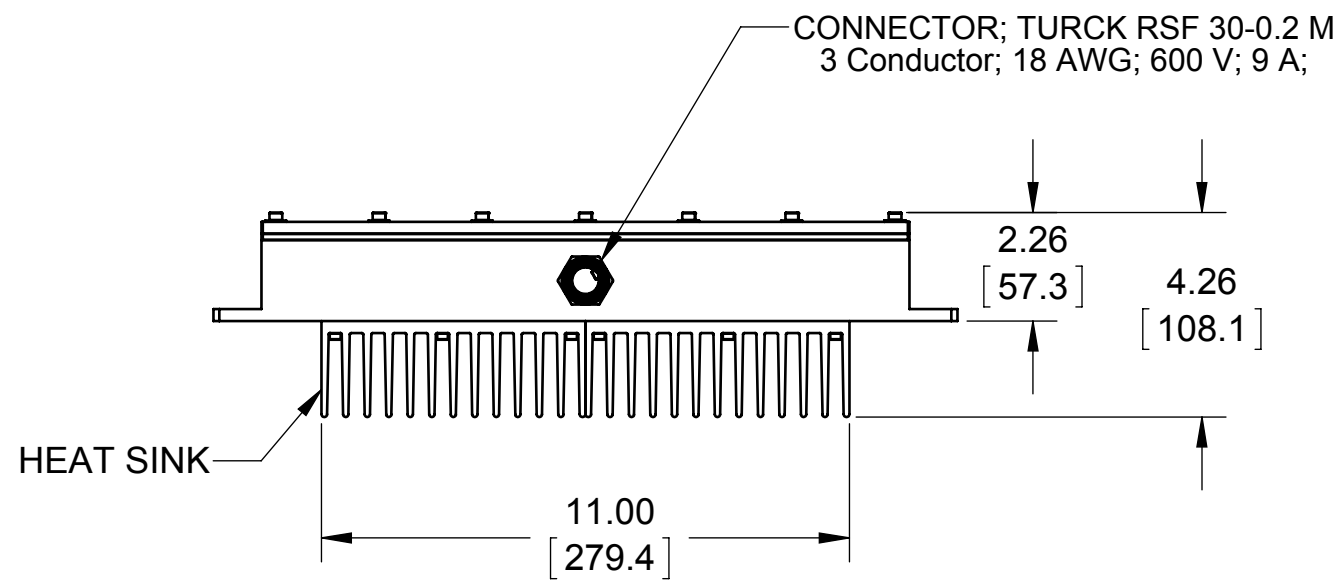


REVISIONS				
REV.	DESCRIPTION	DATE	APPROVED	
A	INITIAL RELEASE	4/7/2013		
B	REMOVED UNNEEDED PART- SHEET 2	6/11/2013		
C	CHANGED HEAT SINK (ITEM 5) & ADDED ADDITIONAL SCREWS- SEE SHEET 2	8/7/2013		



APPROVED
By Kevin High at 3:12 pm, Aug 07, 2013



945 East 11th Avenue Tampa, FL 33605
Phone: (813) 984-0125
Contact: Sales@pyramidimaging.com
<https://pyramidimaging.com>