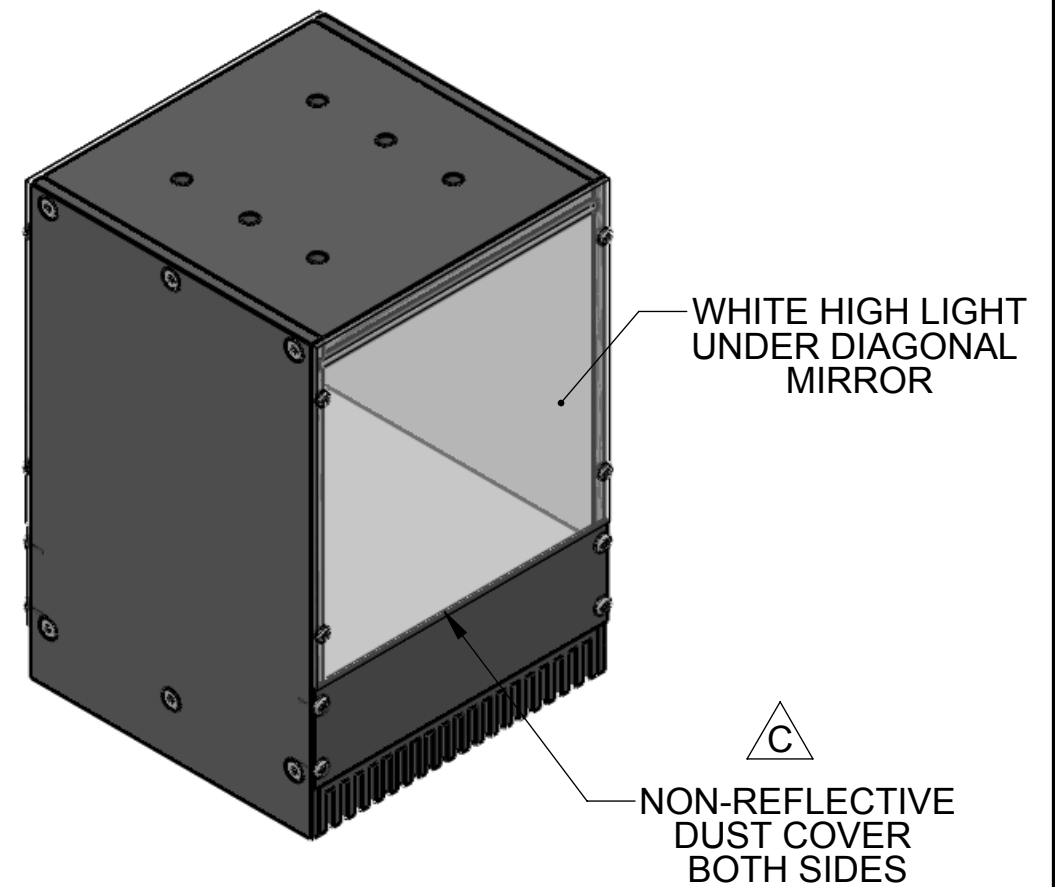
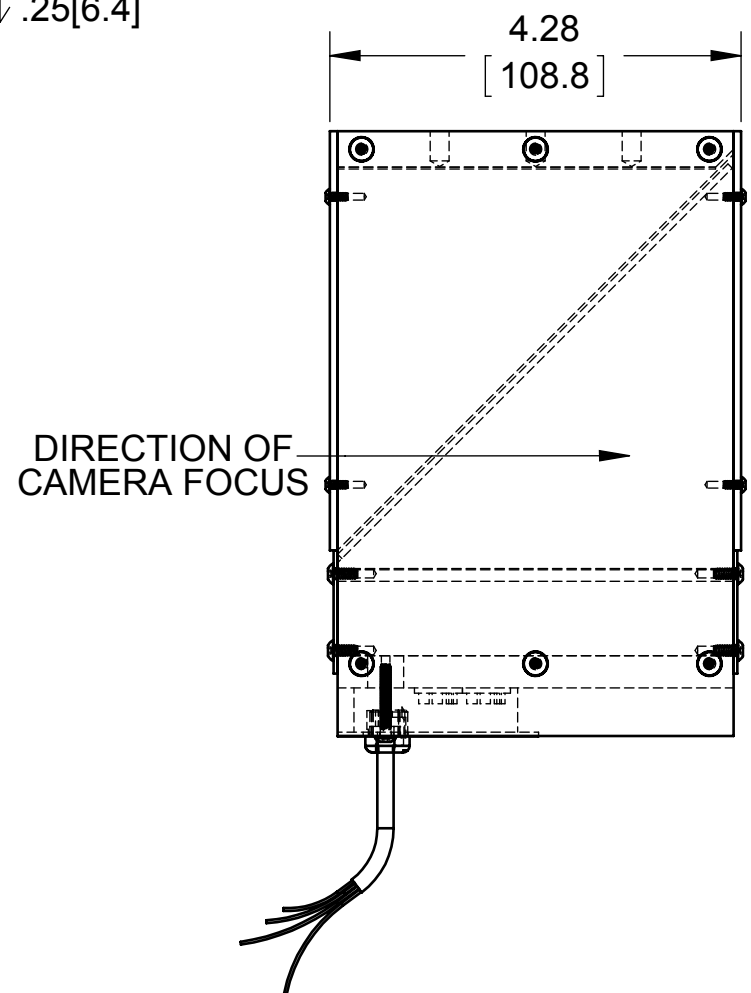
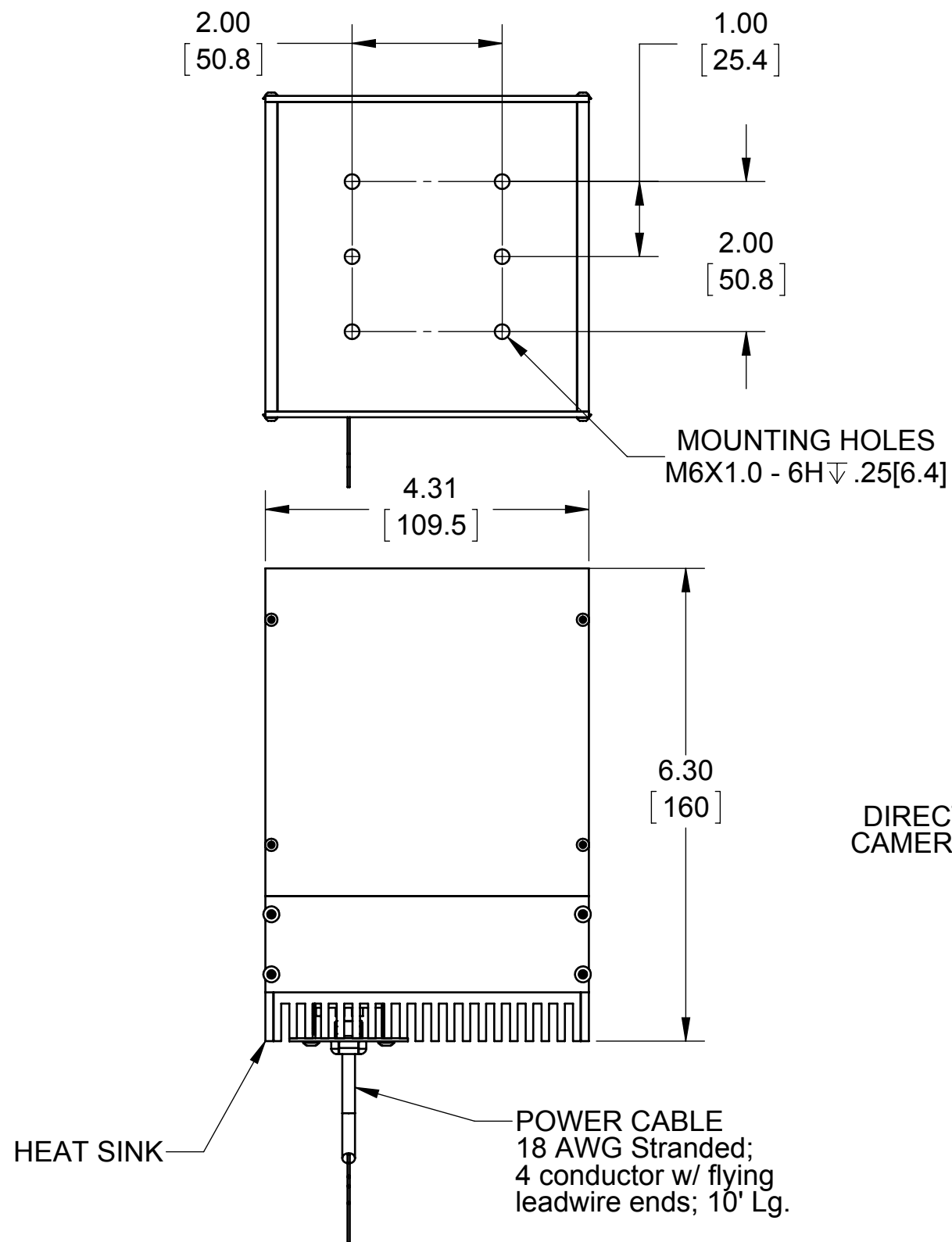


REVISIONS				
REV.	DESCRIPTION	DATE	APPROVED	
A	INITIAL RELEASE	5/8/2013		
B	CHANGED VIEW ON SHEET 3	5/8/2013		
C	ADDED DUST COVERS AND ADDITIONAL SCREWS	5/25/2013		



**APPROVED**  
By Kevin High at 8:23 am, Jun 13, 2013



945 East 11<sup>th</sup> Avenue Tampa, FL 33605  
Phone: (813) 984-0125  
Contact: Sales@ pyramidimaging.com  
<https://pyramidimaging.com>