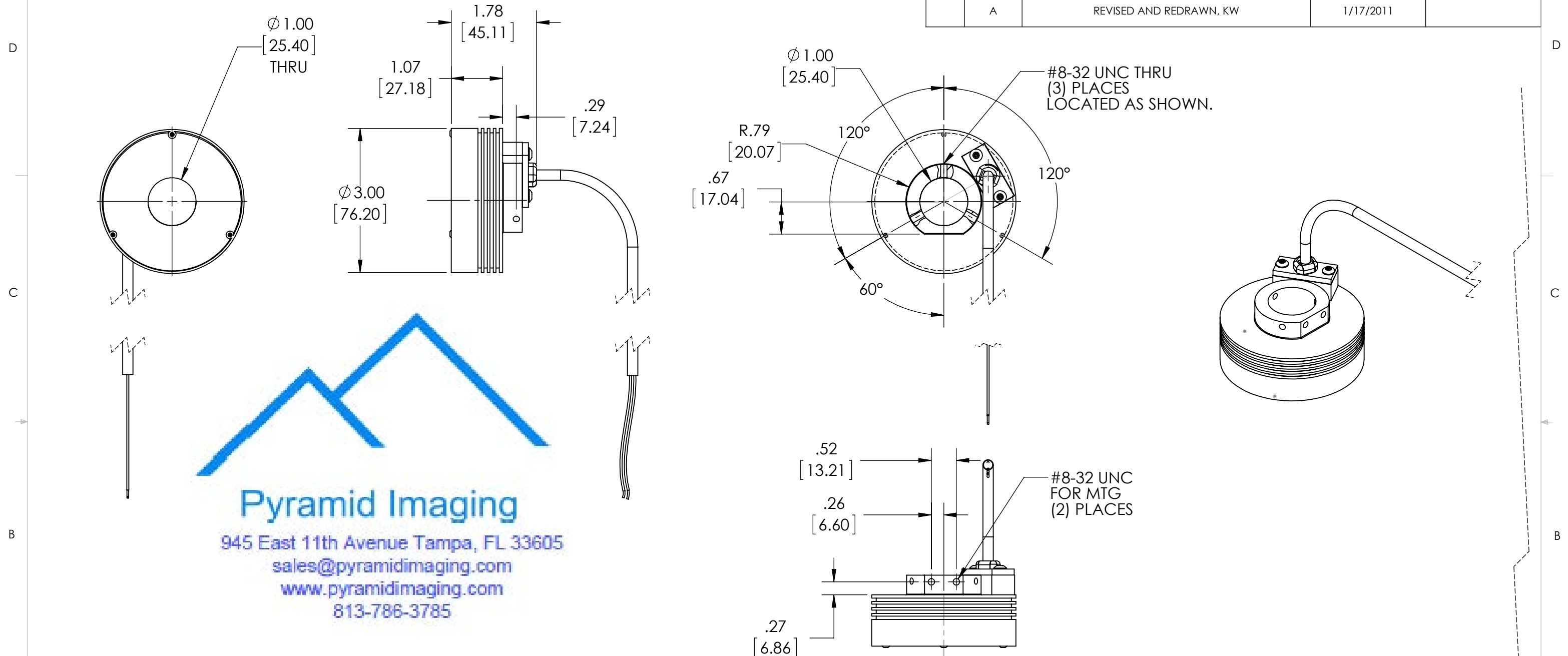


8 7 6 5 4 3 2 1

REVISIONS				
ZONE	REV.	DESCRIPTION	DATE	APPROVED
	A	REVISED AND REDRAWN, KW	1/17/2011	



**NOTES: UNLESS OTHERWISE SPECIFIED**  
 1. FOR MODELS RL101-X-12/24: COMES WITH 10 FT ELECTRICAL CABLE WITH 1" FLYING LEADWIRES.  
 2. FOR MODELS RL101-X: CABLE MUST BE ORDERED SEPARATLY, PART# PC-9-10.

**PROPRIETARY AND CONFIDENTIAL**  
 THE INFORMATION CONTAINED IN THIS DRAWING IS THE SOLE PROPERTY OF <INSERT COMPANY NAME HERE>. ANY REPRODUCTION IN PART OR AS A WHOLE WITHOUT THE WRITTEN PERMISSION OF <INSERT COMPANY NAME HERE> IS PROHIBITED.

UNLESS OTHERWISE SPECIFIED:		NAME	DATE	METAPHASE TECHNOLOGIES, INC.	
DIMENSIONS ARE IN INCHES		DRAWN	KW	1-17-11	TITLE:  <b>RING LIGHT 101 (3 INCH, 76.2MM)</b>
TOLERANCES:		CHECKED			
FRACTIONAL ±		ENG APPR.			
ANGULAR: MACH ± BEND ±		MFG APPR.			
TWO PLACE DECIMAL ±		Q.A.			SIZE DWG. NO. REV <b>B RL101 (A) A</b>
THREE PLACE DECIMAL ±		COMMENTS:			
INTERPRET GEOMETRIC TOLERANCING PER:				SCALE: 1:4	WEIGHT:
MATERIAL				SHEET 1 OF 1	
FINISH					
NEXT ASSY	USED ON				
APPLICATION				DO NOT SCALE DRAWING	

8 7 6 5 4 3 2 1